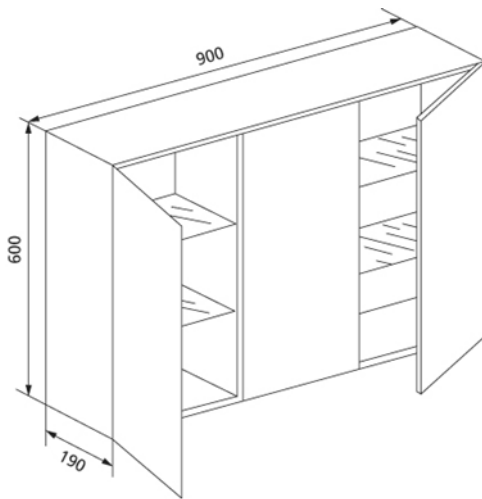


cuccoo built-in wall cabinet, front double mirror,
with six glass shelves, 3 doors



Intended use

- For drywall
- For installation in partial or room-height pre-wall installations
- For installation in room-high installation walls

Features

- Installation frame sendzimir galvanised
- Utilises the lost space in the pre-wall installation

Scope of delivery

- Glass shelves set of 6
- Construction protection protects against moisture and dirt during the construction phase
- Fastening material

Make: Burda
Type: cuccoo
Item no.: 403335