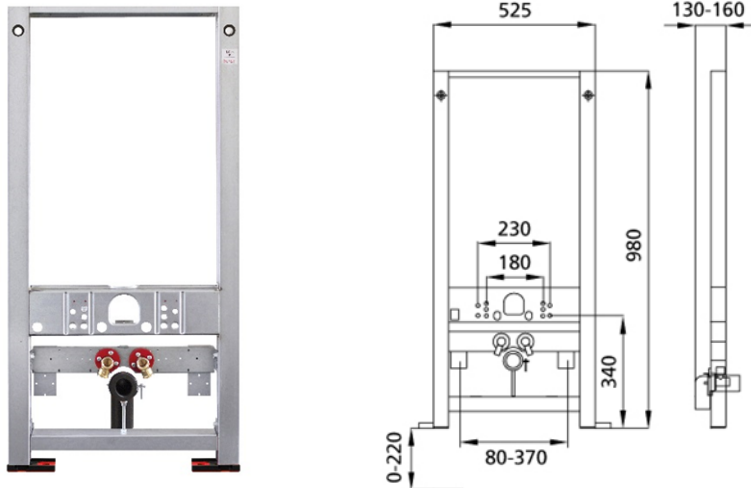


BS+ element for bidet, 98 cm, universal

Sound-insulated with optional premium wall brackets for pre-wall mounting



Intended use

- For drywall
- For installation in partial or room-height pre-wall installations
- For installation in room-high installation walls
- For wall bidets with stand fitting
- For floor buildups 0-22 cm

Features

- Self-supporting sendzimir galvanized and soundproofed steel frame 48 mm
- Footrests galvanized, adjustable 0-22 cm
- Plastic feet rotatable, depth suitable for installation in U-profiles UW 50 and UW 75
- mounting distance wall bidet 18 or 23 cm
- Fitting attachment adjustable in width and height and soundproofed
- Height-adjustable abutment
- Mounting connection bend soundproofed

Scope of delivery

- 2 connection angle R 1/2
- 2 sound insulation pads
- 2 insulating sleeves
- connection elbow made of PE-HD, DN 50 mm
- protective plug
- gasket DN 44/32 mm
- 2 threaded rods M12
- fixing material

Make: Burda

Type: BS+

Item no.: 223002.00