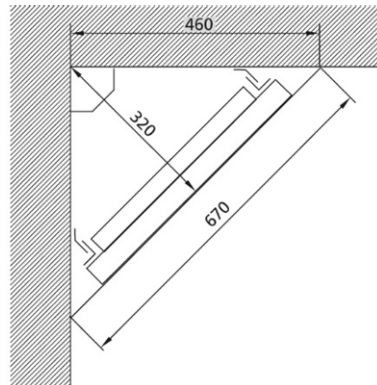


BS+ Corner mounting set



Intended use

- For mounting BS+ units as a 45° corner solution

Features

- Galvanised

Scope of delivery

- 1 Corner plate as corner panelling support
- 2 Mounting bracket
- 4 dowels
- 4 screws
- 4 washers

Make: Burda
Type: BS+
Item no.: 218106