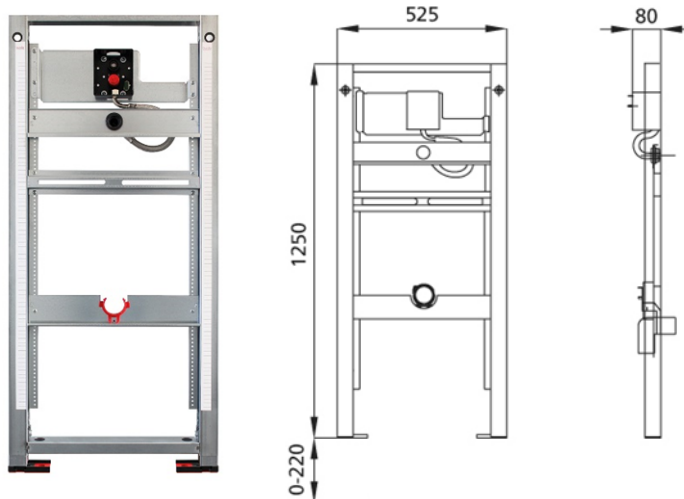


BS+ element for urinal, 112-125 cm, universal with Burda raw construction set for IR urinal control U-09 front panel stainless steel

Sound-insulated with optional premium wall brackets for pre-wall mounting



Intended use

- For drywall
- For installation in partial or room-height pre-wall installations
- For installation in room-high installation walls
- For mounting urinals
- For the installation of Burda urinal controls
- For floor constructions 0-22 cm

Features

- Self-supporting sendzimir galvanized and soundproofed steel frame 48 mm
- Footrests galvanized, adjustable 0-22 cm
- Plastic feet rotatable, depth suitable for installation in U-profiles UW 50 and UW 75
- Element height adjustable to urinal
- Universal flush-mounted housing for Burda urinal control units U-09 IR urinal control unit
- Connection terminal for electrical connection in the flush-mounted housing
- Water connection on flush-mounted housing
- Water connection
- Shut-off valve with throttle, pre-assembled
- Building protection for service opening made of styrofoam
- Flushing hose flexible
- Mounting for inlet DN 32 mm height adjustable
- Connection bend can be mounted without tools
- Fastening of connection bend sound-insulated
- Urinal fastening M8, width and height adjustable
- Crossbars height adjustable

Scope of delivery

- Connection angle R 1/2
- Building protection with polystyrene block
- Connecting pipe between inlet DN 32 mm and urinal, with seal on urinal
- 1 protective plug
- connection elbow made of PE-HD, DN 63/50 mm
- protective cap
- seal DN 57/50 mm
- Urinal siphon DN 50 mm, with seal on urinal
- 2 threaded rods M8
- fixing material

Make: Burda
Type: BS+
Item no.: 214989