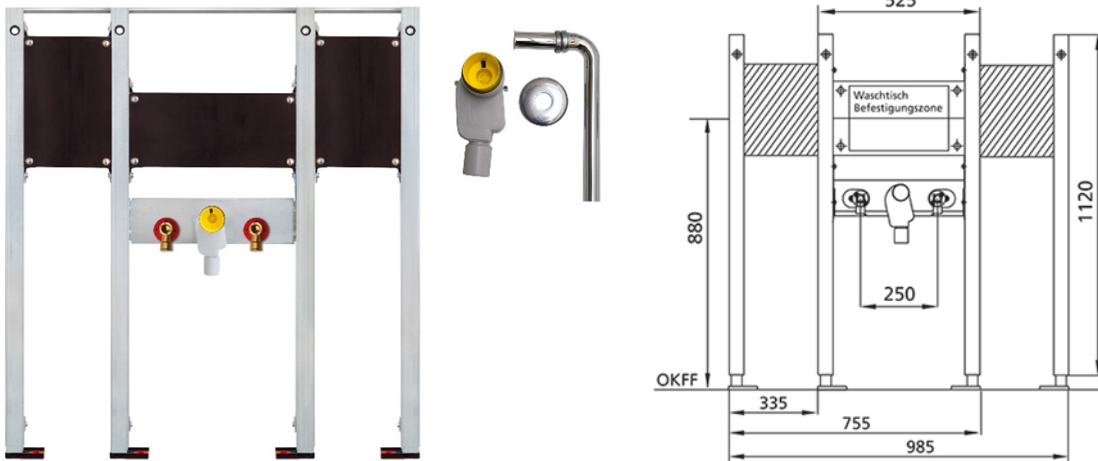


BS+ element for washbasin, 112 cm for stand fitting, barrier-free,
incl. mounting plate pre-assembled for folding support handles concealed
siphon Dallmer

Sound-insulated with optional premium wall brackets for pre-wall mounting



Intended use

- For drywall
- For installation in partial or room-height pre-wall installations
- For floor standing taps
- For installation in room-high installation walls
- Suitable for barrier-free construction
- For mounting washbasins
- for floor-standing fittings
- For floor constructions 0-22 cm

Features

- Self-supporting sendzimir galvanized and soundproofed steel frame 48 mm
- Galvanized footrests, adjustable 0-22 cm
- Plastic feet rotatable, depth suitable for installation in U-profiles UW 50 and UW 75
- mounting distance washbasin up to 37,5 cm
- Concealed odour trap with optimum flow control and high self-cleaning capability

Scope of delivery

- 2 connection angle R 1/2
- 2 sound insulation pads
- 2 insulation sleeves
- Concealed odour trap
- Connection bend and cover chrome
- incl. pre-assembled mounting plates, for folding support handles, left + right
- 2 hanger bolts M10
- fixing material

Make: Burda

Type: BS+

Item no.: 212656.00