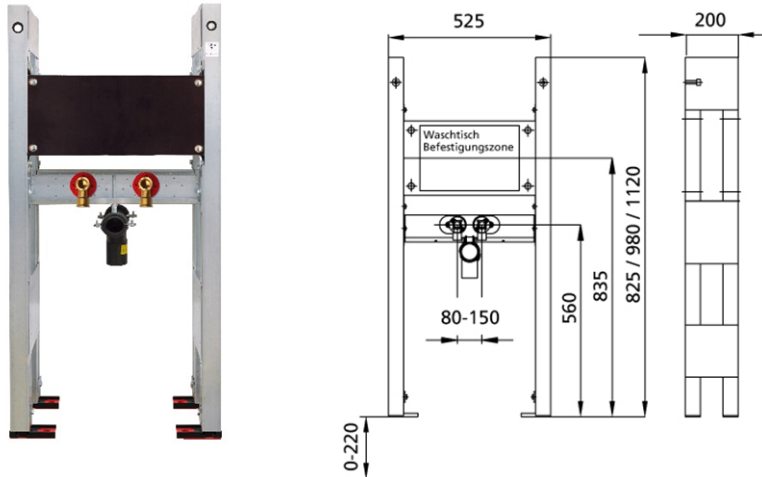


**BS+ double washbasin element for stand fitting**

**Sound-insulated with optional premium wall brackets for pre-wall mounting**



**Intended use**

- For drywall
- For installation in partial or room-height pre-wall installations
- For installation in room-high installation walls
- For mounting washbasins
- For floor standing fittings
- For floor constructions 0-22 cm

**Features**

- Self-supporting sendzimir galvanized and soundproofed steel frame 48 mm
- Galvanized footrests, adjustable 0-22 cm
- plastic feet rotatable, depth suitable for installation in U-profiles UW 50 and UW 75
- mounting distance washbasin up to 37,5 cm
- Mounting of connection bend sound-insulated
- Traverse fitting height adjustable
- Traverse suitable for press connections

**Scope of delivery**

- 4 connection angle R 1/2
- 4 sound insulation pads
- 4 insulation sleeves
- 1 Double connection bend made of PE-HD, DN 50/50/50 mm
- 2 Seal DN 32 mm
- 4 hanger bolts M10
- Fastening material

Make: Burda

Type: BS+

Item no.: 212221.00