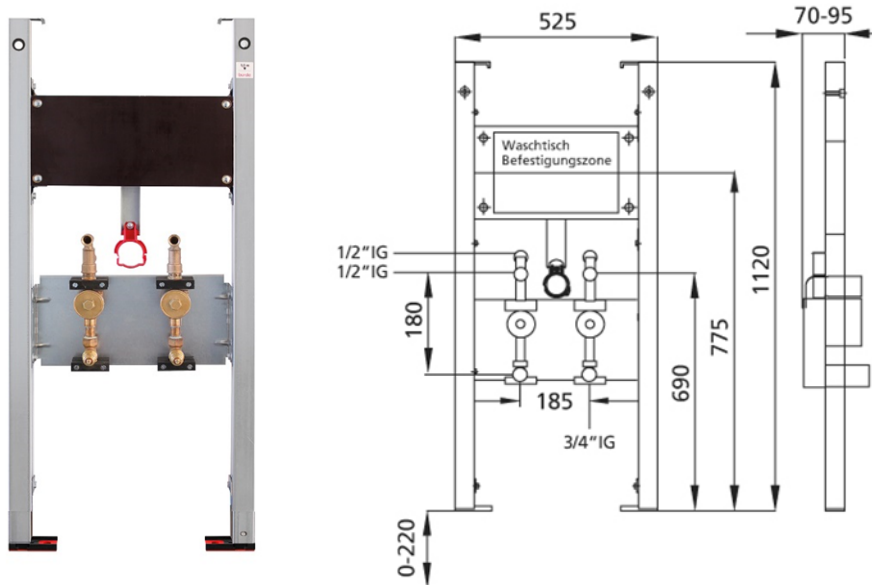


BS+ element for washbasin, 112 cm for water meter
and concealed shut-off valve for floor-mounted fitting

Sound-insulated with optional premium wall brackets for pre-wall mounting



Intended use

- For drywall, pre-wall
- For installation in partial or room-height pre-wall installations
- For installation in room-high installation walls
- For the installation of two measuring capsules with 2' KOAX thread
- For mounting washbasins
- For floor standing fittings
- For floor constructions 0-22 cm

Features

- Self-supporting sendzimir galvanized and soundproofed steel frame 48 mm
- Galvanized footrests, adjustable 0-22 cm
- plastic feet rotatable, depth suitable for installation in U-profiles UW 50 and UW 75
- mounting distance washbasin up to 37,5 cm
- Connection bend can be mounted in various depth positions without tools
- Mounting of connection bend sound-insulated
- Traverse fitting height adjustable
- Traverse suitable for press connections

Scope of delivery

- 2 insulating sleeves
- Connection bend made of PE-HD, DN 50 mm
- Seal DN 32 mm
- 2 hanger bolts M10
- Fastening material
- 2 upper parts for the shut-off, chrome
- 2 Concealed single-pipe connection piece for MTK / MTW-NG (2' EAS KOAX) incl. dummy cover
- 2 Concealed piston valve, free of dead space and low pressure loss and gasket set (DIN DVGW tested with sound insulation to DIN 4109 (fitting group 1))
- 4 sound-insulated brackets
- 2 two-part polystyrene insulations - building material class B1 (permissible operating overpressure PB: 10 bar, permissible operating temperature TB: 90°C, flow medium: drinking water)

Make: Burda

Type: BS+

Item no.: 212025.00