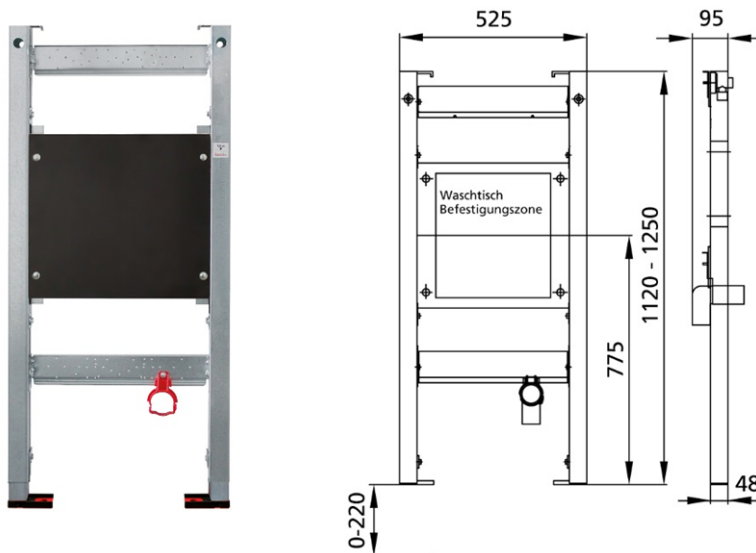


BS+ element for sink, 112 cm for wall fitting, 1/2"

Sound-insulated with optional premium wall brackets for pre-wall mounting



Intended use

- For drywall
- For installation in partial or room-height pre-wall installations
- For installation in room-high installation walls
- For mounting sink
- For wall fittings
- For floor constructions 0-22 cm

Features

- Self-supporting sendzimir galvanized and soundproofed steel frame 48 mm
- Frame prepared to receive WC power bearings for WC ceramics with small support area
- Galvanized footrests, adjustable 0-22 cm
- plastic feet rotatable, depth suitable for installation in U-profiles UW 50 and UW 75
- mounting distance washbasin up to 37,5 cm
- Connection bend can be mounted in various depth positions without tools
- Mounting of connection bend sound-insulated
- Traverse fitting height adjustable
- Traverse suitable for press connections

Scope of delivery

- 2 connection angle R 1/2
- 2 sound insulation pads
- 2 insulating sleeves
- connection elbow made of PE-HD, DN 50 mm
- gasket DN 32 mm
- 2 hanger bolts M10
- fixing material

Make: Burda

Type: BS+

Item no.: 212012.99