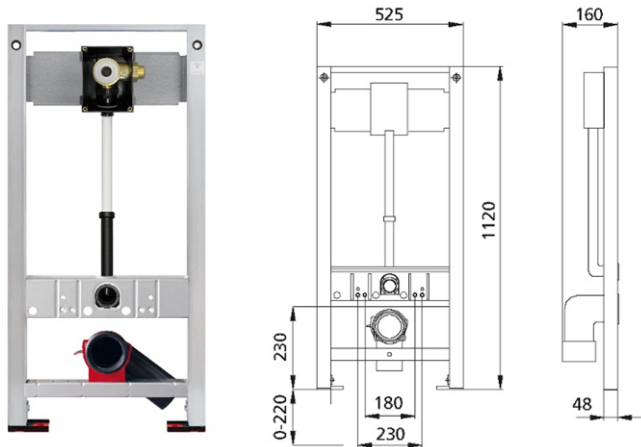


**BS+ WC element for wall-hung WC, 112 cm with Schell concealed WC flush valve Compact II**

**Sound-insulated with optional premium wall brackets for pre-wall mounting**



**Intended use**

- For drywall
- For installation in partial or room-height pre-wall installations
- For installation in room-high installation walls
- For wall-mounted WCs with connection dimensions according to DIN EN 33:2011-11
- Suitable for wall-mounted WCs with projection up to 62 cm
- For floor constructions 0-22 cm

**Features**

- Self-supporting sendzimir galvanized and soundproofed steel frame 48 mm
- Frame prepared to accommodate WC power bearings for WC ceramics with a small support area
- Footrests galvanized, adjustable 0-22 cm
- Plastic feet rotatable, depth suitable for installation in U-profiles UW 50 and UW 75
- Connection bend can be mounted in various depth positions without tools
- Soundproofed connection bend attachment

**Scope of delivery**

- with built-in shell kit WC pressure flush valve
- Pre-assembled brass water line
- G 3/4 AG pre-shut-off/connection, right
- Flush plug G 3/4 AG
- Plaster cover- Connection set for WC, DN 90 mm
- Connecting elbow made of PE-HD, DN 90 mm
- Transition sleeve made of PE-HD, DN 90/110 mm
- 2 threaded rods M12
- Fastening material

Make: Burda  
Type: BS+  
Item no.: 211246