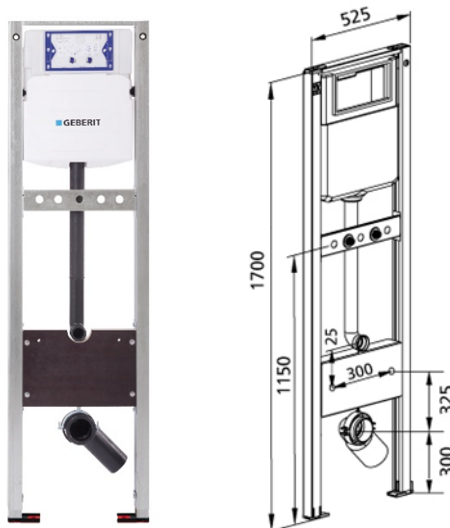


BS+ WC element for Laufen Bernina sink for wall-mounted tap AP, 170 cm with concealed cistern
Geberit Sigma for operation from the front, for dual flush

Sound-insulated with optional premium wall brackets for pre-wall mounting



Intended use

- For drywall
- For installation in partial or room-height pre-wall installations
- For installation in room-high installation walls
- For 1-flush, 2-flush or flush-stop flushing
- For floor constructions 0-22 cm

Features

- Self-supporting sendzimir galvanized and soundproofed steel frame 48 mm
- Frame prepared to accommodate WC power bearings for WC ceramics with a small support area
- Footrests galvanized, adjustable 0-22 cm
- Plastic feet rotatable, depth suitable for installation in U-profiles UW 50 and UW 75
- Traverse fitting height-adjustable 770-1150 mm
- Connecting elbow can be mounted in various depth positions without tools
- Fastening connection elbow soundproofed
- Concealed cistern with front operation, condensation water insulated
- Immediate flushing possible with factory setting
- Installation and service work on the concealed cistern without tools
- Water connection at the back or top center
- Building protection for service opening protects against moisture and dirt
- Protection for service opening can be cut to length
- Suitable for all flush plates of the Sigma series (except Sigma40)
- Suitable for insertion of cleaning cubes

Scope of delivery

- 2 wall ducts R 1/2 with anti-twist protection
- Water connection R 1/2, MeplaFix-compatible, with integrated angle valve and handwheel
- Construction protection for service opening
- 2 protective plugs
- Connection set for WC, DN 90 mm
- Connection elbow made of PE-HD, DN 90 mm
- Transition sleeve made of PE-HD, DN 90/110 mm
- 2 threaded rods M12
- Fastening material

Make: Burda

Type: BS+

Item no.: 211057.00