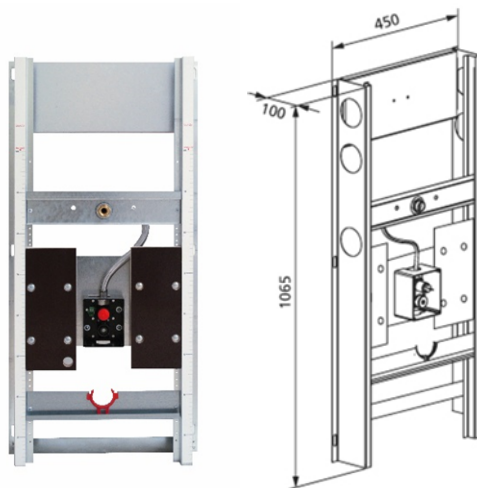


Kombiset element for urinal, 106.5 cm, universal
with Burda shell set for Flowtronik



Intended use

- For brick walls
- For installation in partial or room-height pre-wall installations
- For mounting urinals
- For the installation of Burda Flowtronik urinal flush

Features

- Mounting frame sendzimir galvanized, with four fixing points
- Frame design for force-fit connection with the masonry
- Element height adjustable to urinal
- Universal flush-mounted housing for Burda Flowtronik
- Connection terminal for electrical connection in flush-mounted housing
- Water connection on the flush-mounted housing
- Shut-off valve with throttle, pre-assembled
- Construction protection for service opening
- Flexible flushing hose
- Height-adjustable attachment for DN 32 mm inlet
- Connection elbow can be fitted without tools
- Sound-insulated connection elbow fixing
- Urinal attachment M8, width and height adjustable
- Height-adjustable traverses

Scope of delivery

- Connection angle R 1/2
- Construction protection with styrofoam block
- Connecting pipe between inlet DN 32 mm and urinal, with seal on urinal
- 1 protective plug
- connection elbow made of PE-HD, DN 63/50 mm
- protective cap
- seal DN 57/50 mm
- Urinal siphon DN 50 mm, with seal on urinal
- 2 threaded rods M8
- fixing material

Make: Burda
Type: Kombiset
Item no.: 540000