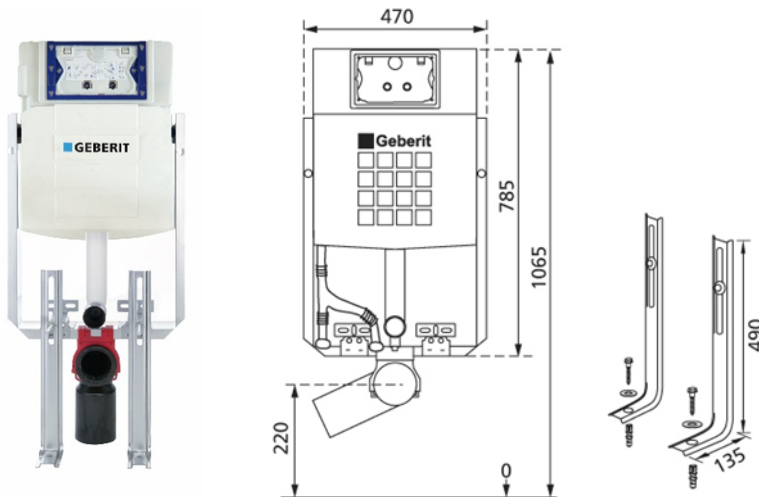


Kombiset WC element for WWC, 106.5 cm with concealed cistern
Geberit Sigma for front actuation, for dual flush



Intended use

- For brick walls
- For installation in partial or room-height pre-wall installations
- For wall-hung WCs with connection dimensions in accordance with DIN EN 33:2011-11
- For 1-quantity, 2-quantity or flush-stop flushing

Features

- Mounting frame sendzimir galvanized, with four fixing points
- Frame design for force-fit connection with the masonry
- Mounting Connection bend can be mounted from the front without tools
- Concealed cistern with front actuation, insulated against condensation
- Immediate flushing possible with factory setting
- Installation and service work on the concealed cistern without tools
- Water connection at the back or top center
- Construction protection for service opening protects against moisture and dirt
- Construction protection for service opening can be cut to length
- Suitable for Duravit Sensowash C
- Equipped with empty pipe for water supply line for connecting Geberit AquaClean appliances
- Suitable for the following actuator plates from the Sigma series Sigma01/10/20/50/60/70/80, (except Sigma40)
- Suitable for insertion of cleaning cubes

Scope of delivery

- Water connection R 1/2, with integrated angle valve and handwheel
- Construction protection for service opening
- 2 protective plugs
- Connection set for WC, DN 90 mm
- Connection elbow made of PE-HD, DN 90 mm
- Transition sleeve made of PE-HD, DN 90/110 mm
- 2 threaded rods M12
- fixing material
- support brackets

Make: Burda

Type: Kombiset

Item no.: 511118.00