



PRODUCT RANGE 2024



03 – 15

**Santro**

WC washstand sink page 06-08 page 09-10 page 10

bidet urinal Intermediate support page 11 page 11-12 page 13

Fitting plate Accessories page 14-15 page 15



17 – 47

**BS+** Dry construction system



49 – 52

**my move elements** Electrically height-adjustable



53 – 57

**Kombiset** Wet construction system



59 – 70

**Flush buttons**



71 – 86

**Flushing systems**

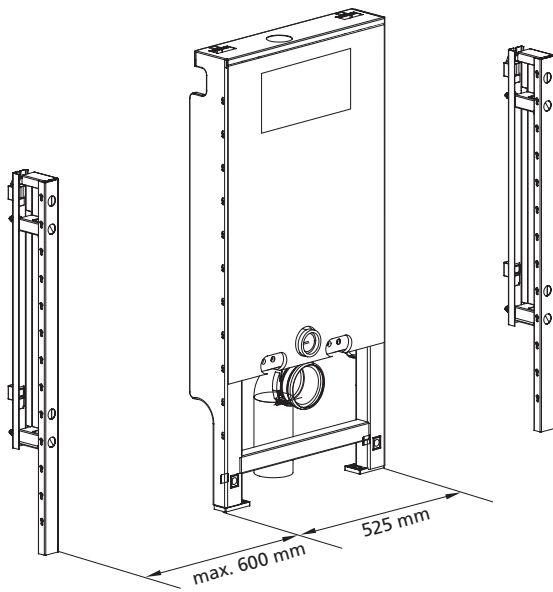


88 – 89

**Pondus XL** Floor-standing WC incl. seat for obese people



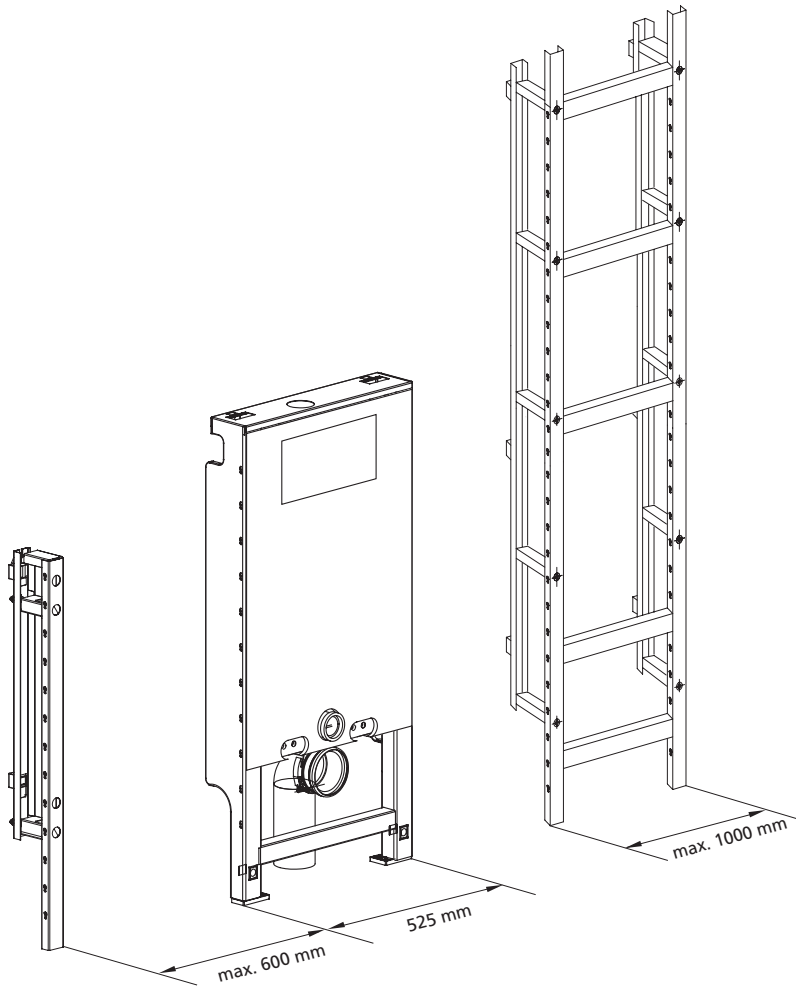
**Material requirement for the front wall installation of SANTRO**



Number of modules	Front wall width upto 1080 mm	Front wall width upto 1600 mm	Front wall width upto 2200 mm	Front wall width upto 2800 mm	Front wall width upto 3400 mm
0	3 subcarrier 3 panels	4 subcarrier 4 panels	5 subcarrier 5 panels	6 subcarrier 6 panels	7 subcarrier 7 panels
1	2 subcarrier 1 panel	2 subcarrier 3 panels	3 subcarrier 3 panels	4 subcarrier 4 panels	5 subcarrier 5 panels
2		2 subcarrier 2 panels	2 subcarrier 3 panels	2 subcarrier 3 panels	4 subcarrier 4 panels

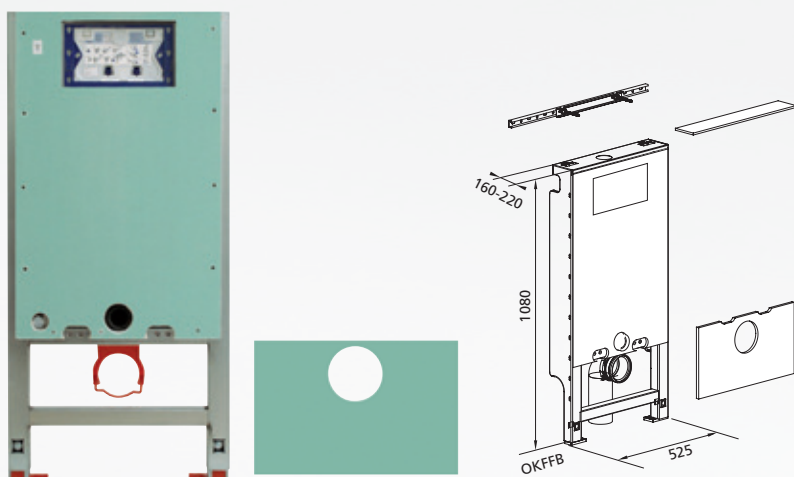


**Material requirement for the front wall installation of SANTRO**  
with nest element for pipelines, shower or bathtub



Number of modules	Front wall width 1200-2600 mm	Front wall width 2200-3600 mm
0	1 Nesting element 2 subcarrier 7 panels	1 Nesting element 3 subcarrier 8 panels
1		1 Nesting element 3 subcarrier 8 panels

## Santro Wall-WC module with concealed cistern



Design \_\_\_\_\_ Ref. no. \_\_\_\_\_

Geberit cistern Sigma  
with 2-quantity flush

Installation height 1080 mm 611113.00

- Galvanised, self-supporting and sound-decoupled steel construction
- Single-layer (12.5 mm) GKFI construction panel, incl. all standard openings
- Sound-decoupled mounting rail
- WC ceramic fixtures 180 and 230 mm
- Connection elbow made of PE-HD, DN 90 mm  
Incl. transition sleeve made of PE-HD, DN 90/110 mm
- Wall-mounted WC connection set
- Built-in, condensation-insulated concealed cistern
- Building protection for inspection opening
- Building plug for inlet and outlet pipe
- All fastening and mounting accessories
- Adjustable foot supports 0-220 mm
- Cistern connection with integrated or separate angle valve
- Actuation from the front

Dimensions: W / H / D 525 / 1080 / 160-220 mm

### Accessories:

Flush plates from page 59

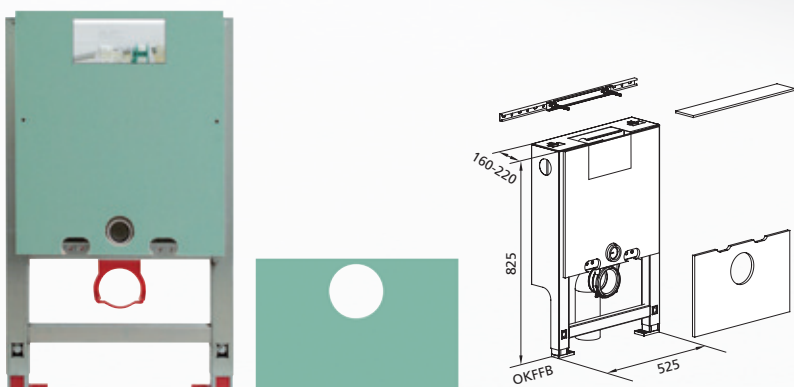
**Note:** WC power bearing for WC ceramics with contact surface smaller than 17 cm (e.g. Flaminia, Sentique), page 8

all WC frames with Geberit cistern:  
compatible with Duravit Sensowash®  
and Geberit AquaClean WCs

WC frames w. Geberit cistern Sigma:  
also compatibel with Geberit Duo-Fresh  
inserts (cleaning cubes)



## Santro wall-hung WC module with concealed cistern (825 mm)



Design \_\_\_\_\_ Ref. no. \_\_\_\_\_

Geberit cistern Omega  
with 2-quantity flush

Installation height 825 mm 611190.00

- Galvanised, self-supporting and sound-decoupled steel construction
- Reduced shelf height
- Single-layer (12.5 mm) GKFI construction panel, incl. all standard openings
- Sound-decoupled mounting rail
- WC ceramic fixtures 180 and 230 mm
- Connection elbow made of PE-HD, DN 90 mm  
Incl. transition sleeve made of PE-HD, DN 90/110 mm
- Wall-mounted WC connection set
- Built-in, condensation-insulated concealed cistern
- Building protection for inspection opening
- Building plug for inlet and outlet pipe
- All fastening and mounting accessories
- Adjustable foot supports 0-220 mm
- Cistern connection with integrated or separate angle valve
- Actuation from the front or top

Dimensions: W / H / D 525 / 825 / 160-220 mm

### Accessories:

Flush plates from page 59

**Note:** The toilet lid only remains in the open position if the distance between the wall and the wall to the toilet lid is > 25 mm.  
When using WC ceramics such as those from Keramag: Renova Nr. 1, Comprimo 204550, Joly 203060, V&B: Viala 765310, Viala 765210, the flush plate must be mounted from above.

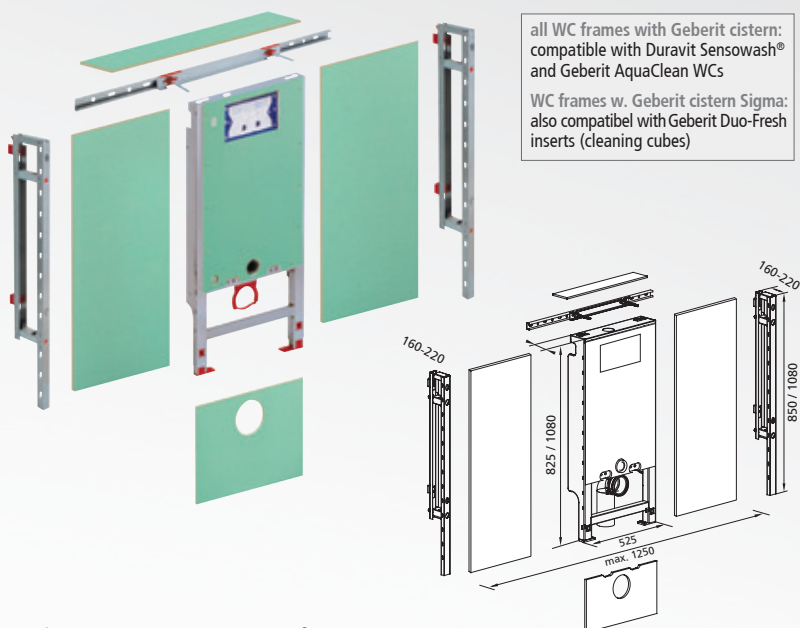
**Note:** WC power bearing for WC ceramics with a support surface smaller than 17 cm (e.g. Flaminia, Sentique), page 8

all WC frames with Geberit cistern:  
compatible with Duravit Sensowash®  
and Geberit AquaClean WCs

WC frames w. Geberit cistern Sigma:  
also compatibel with Geberit Duo-Fresh  
inserts (cleaning cubes)



## Santro WC complete kit with concealed cistern for guest WC single unit up to 1250 cm wide



Design \_\_\_\_\_ Ref. no. \_\_\_\_\_

Geberit cistern Sigma  
with 2-quantity flush  
Actuation from the front

Installation height 1080 mm 611250.00

Geberit cistern Omega  
with 2-quantity flush  
Actuation from the front or top

Installation height 850 mm 611290.00

### Consisting of: 1 x WC element suitable for standard wall-hung WCs

- Galvanised, self-supporting and sound-decoupled steel construction
- Single-layer (12.5 mm) GKFI construction panel, incl. all standard openings
- Sound-decoupled mounting rail
- WC ceramic fixtures 180 and 230 mm
- Connection elbow made of PE-HD, DN 90 mm  
Incl. transition sleeve made of PE-HD, DN 90/110 mm
- Wall-mounted WC connection set
- Built-in, condensation-insulated concealed cistern
- Building protection for inspection opening
- Building plug for inlet and outlet pipe
- All fastening and mounting accessories
- Adjustable foot supports 0-220 mm
- Cistern connection with integrated or separate angle valve
- Actuation from the front or front/top

Dimensions: H / D 850 oder 1080 / 160-220 mm  
Suitable for single WC system (guest WC) max. width 1250 cm

### Accessory pack included (separate accessory pack):

#### 2 x subcarrier

For extending an extension section and for bridging distances over 625 mm wide between 2 sanitary modules etc.

#### 2-tlg. GKFI construction panel

450 mm wide, core-impregnated, fibre-reinforced plasterboard

### Accessories optional:

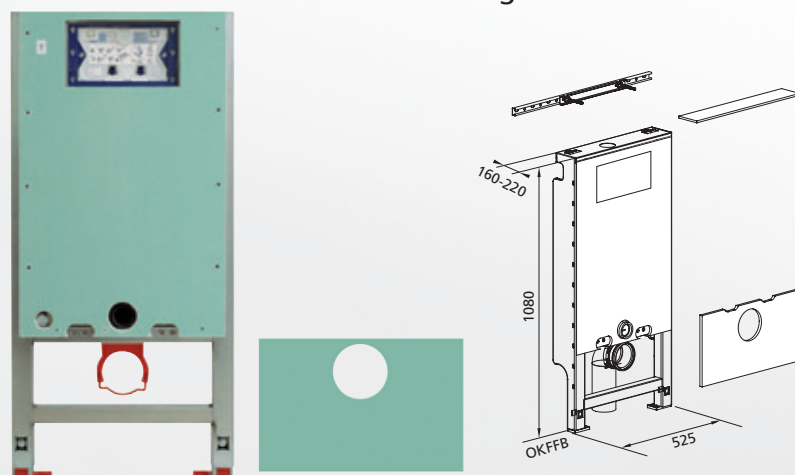
Flush plates from page 59

#### Note:

WC power bearing for WC ceramics with contact surface smaller than 17 cm (e.g. Flaminia, Sentique), page 8



## Santro WC module with concealed cistern for floor-standing WC



Design \_\_\_\_\_ Ref. no. \_\_\_\_\_

Geberit cistern Sigma  
with 2-quantity flush

Installation height 1080 mm 611236.00

- Galvanised, self-supporting and sound-decoupled steel construction
- Single-layer (12.5 mm) GKFI construction panel, incl. all standard openings
- Sound-decoupled mounting rail
- Connection elbow made of PE-HD, DN 90 mm  
Incl. transition sleeve made of PE-HD, DN 90/110 mm
- WC connection set, white with cover rosettes
- Built-in, condensation-insulated concealed cistern
- Building protection for inspection opening
- Building plug for inlet and outlet pipe
- All fastening and mounting accessories
- Adjustable foot supports 0-220 mm
- Cistern connection with integrated or separate angle valve
- Actuation from the front

Maße: W / H / D 525 / 1080 / 160-220 mm

### Accessories:

Flush plates from page 59

#### Note:

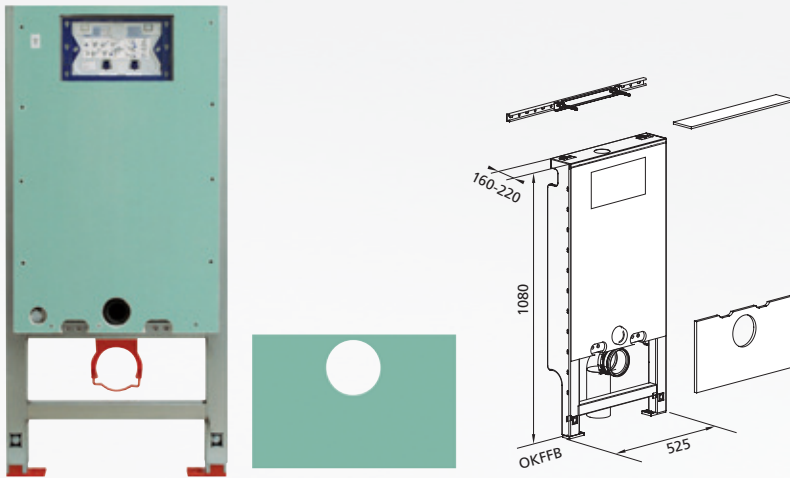
WC power bearing for WC ceramics with contact surface smaller than 17 cm (e.g. Flaminia, Sentique), page 8

all WC frames with Geberit cistern:  
compatible with Duravit Sensowash®  
and Geberit AquaClean WCs

WC frames w. Geberit cistern Sigma:  
also compatibel with Geberit Duo-Fresh  
inserts (cleaning cubes)



Santro WC module with concealed cistern for floor mounted children WC



- Galvanised, self-supporting and sound-decoupled steel construction
- Single-layer (12.5 mm) GKF1 construction panel, incl. all standard openings
- Sound-decoupled mounting rail
- Connection elbow made of PE-HD, DN 90 mm  
Incl. transition sleeve made of PE-HD, DN 90/110 mm
- WC connection set, white with cover rosettes
- Built-in, condensation-insulated concealed cistern
- Building protection for inspection opening
- Building plug for inlet and outlet pipe
- All fastening and mounting accessories
- Adjustable foot supports 0-220 mm
- Cistern connection with integrated or separate angle valve
- Actuation from the front

Dimensions: W / H / D 525 / 1080 / 160-220 mm  
WC installation at a height suitable for children

**Accessories:**  
Flush plates from page 59

**Note:**  
WC power bearing for WC ceramics with a support surface smaller than 17 cm (e.g. Flaminia, Sentique), page 8

Design \_\_\_\_\_ Ref. no. \_\_\_\_\_

Geberit cistern Sigma with 2-quantity flush

Installation height 1080 mm 611335.00

all WC frames with Geberit cistern: compatible with Duravit Sensowash® and Geberit AquaClean WCs

WC frames w. Geberit cistern Sigma: also compatibel with Geberit Duo-Fresh inserts (cleaning cubes)



Santro / BS+ WC support brackets for WC ceramics with small contact surface



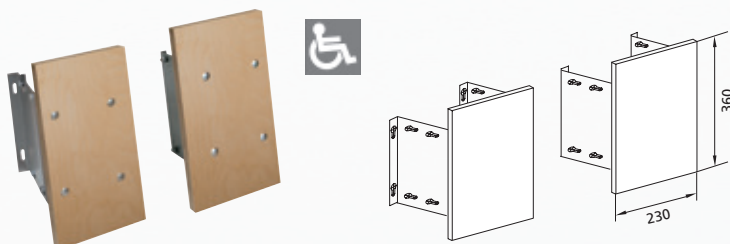
Design \_\_\_\_\_ Ref. no. \_\_\_\_\_

1 pair 216400

For additional support of WC ceramics  
Support surfaces smaller than 17 cm (e.g. Flaminia, Sentique)



Santro attachment set for support and folding support rails



Design \_\_\_\_\_ Ref. no. \_\_\_\_\_

1 pair with 2 wall mountings

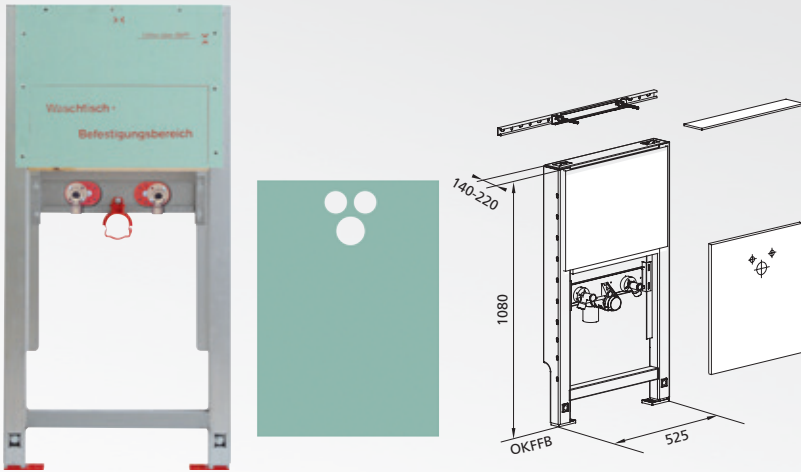
697155

- Galvanised, torsion-resistant sheet metal construction
- Mounting plate for variable arm lever mounting made of laminated wood
- all fastening and mounting accessories.

**Suitable for modules in barrier-free design**



Santro washstand module for floor-standing fitting



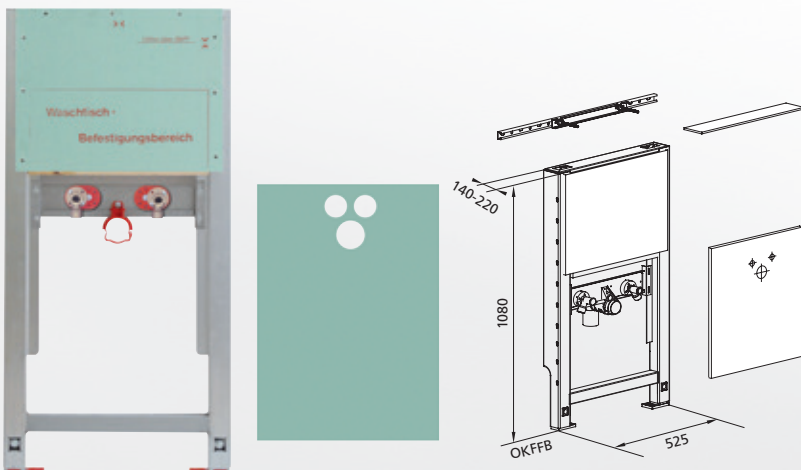
- Galvanised, self-supporting and sound-decoupled steel construction
- Single-layer (12.5 mm) GKFI construction panel, incl. all standard openings
- Sound-decoupled mounting rail
- Mounting plate for variable washstand installation
- Connection elbow PE-HD DN 50
- Rubber nipple 32 mm
- All fastening and mounting accessories
- Adjustable foot supports 0-220 mm
- 2 sound-decoupled, width-adjustable 1/2" wall discs

Dimensions: W / H / D 525 / 1080 / 140-220 mm

Design	Ref. no.	Design	Ref. no.
for floor-standing fitting		with built-in tap plate for Connection of an water heater	
<b>Installation height 1080 mm</b>	621258.00	<b>Installation height 1080 mm</b>	622026.00



Santro children washstand module for floor-standing fitting



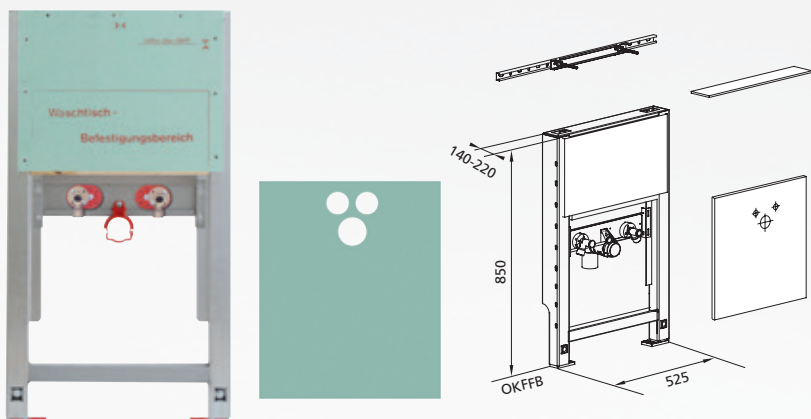
- Galvanised, self-supporting and sound-decoupled steel construction
- Single-layer (12.5 mm) GKFI construction panel, incl. all standard openings
- Sound-decoupled mounting rail
- Mounting plate for variable washstand installation
- Connection elbow PE-HD DN 50
- Rubber nipple 32 mm
- All fastening and mounting accessories
- Adjustable foot supports 0-220 mm
- 2 sound-decoupled, width-adjustable 1/2" wall discs

Dimensions: W / H / D 525 / 1080 / 140-220 mm

Design	Ref. no.
<b>Installation height 1080 mm</b>	621012.00



## Santro washstand module for furniture washstand for floor-standing fitting



Design \_\_\_\_\_ Ref. no. \_\_\_\_\_

for floor-standing fitting

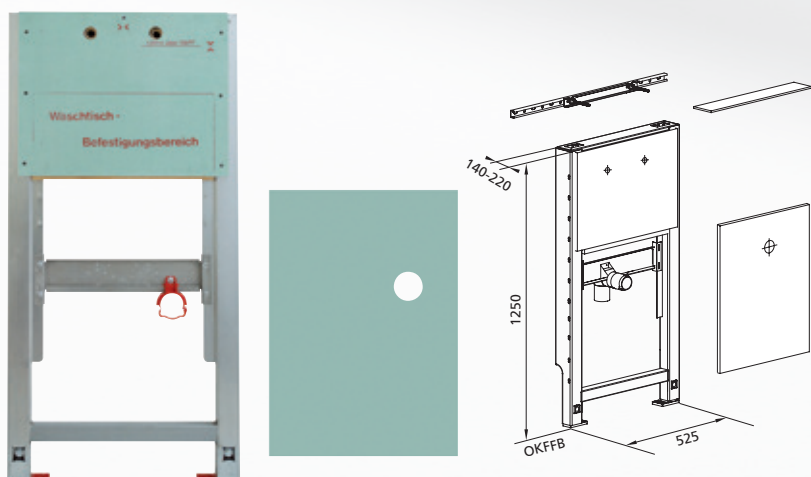
Installation height 850 mm 621050.00

- Galvanised, self-supporting and sound-decoupled steel construction
- Reduced shelf height
- Single-layer (12.5 mm) GKF construction panel, incl. all standard openings
- Sound-decoupled mounting rail
- Mounting plate for variable washstand installation
- Connection elbow PE-HD DN 50
- Rubber nipple 32 mm
- All fastening and mounting accessories
- Adjustable foot supports 0-220 mm
- 2 sound-decoupled, width-adjustable 1/2" wall discs

Dimensions: W / H / D 525 / 850 / 140-220 mm



## Santro sink module for wall fitting



Design \_\_\_\_\_ Ref. no. \_\_\_\_\_

Installation height 1250 mm 621449.00

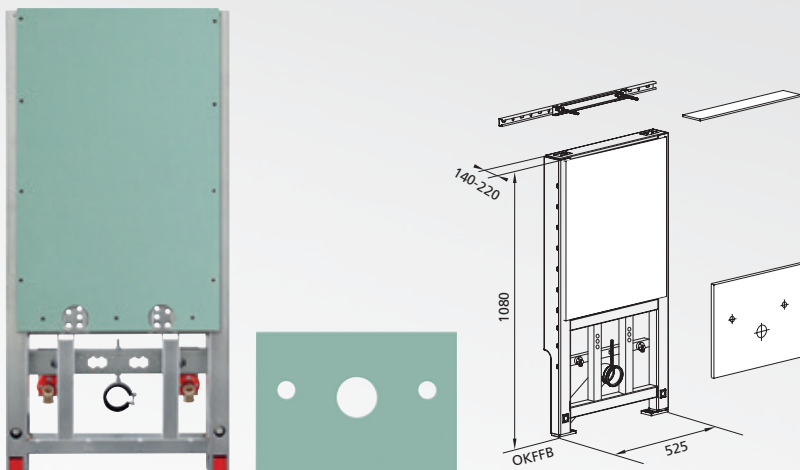
- Galvanised, self-supporting and sound-decoupled steel construction
- Single-layer (12.5 mm) GKF construction panel, incl. all standard openings
- Sound-decoupled mounting rail
- Mounting plate for variable washstand installation
- Connection elbow PE-HD DN 50
- All fastening and mounting accessories
- Adjustable foot supports 0-220 mm
- 2 sound-decoupled, width-adjustable 1/2" wall discs

Dimensions: W / H / D 525 / 1250 / 140-220 mm





### Santro bidet module for floor-standing fitting



- Galvanised, self-supporting and sound-decoupled steel construction
- Single-layer (12.5 mm) GFKI construction panel, incl. all standard openings
- Sound-decoupled mounting rail
- Variable bidet ceramic fixtures
- Connection elbow PE-HD DN 50
- All fastening and mounting accessories
- Adjustable foot supports 0-220 mm
- 2 sound-decoupled, width-adjustable 1/2" wall discs

Dimensions: W / H / D 525 / 1080 / 140-220 mm

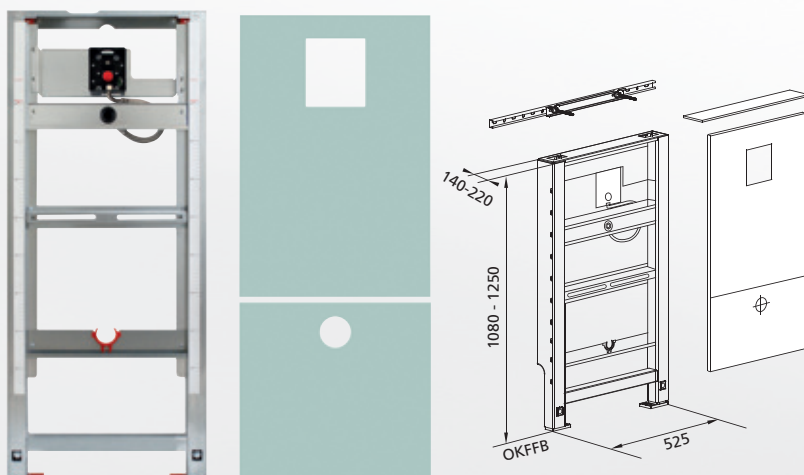
Design \_\_\_\_\_ Ref. no. \_\_\_\_\_

for floor-standing fitting

Installation height 1080 mm 631578.00



### Santro urinal module with surface-mounted/concealed flush valve or shell set



- Galvanised, self-supporting and sound-decoupled steel construction
- Single-layer (12.5 mm) GFKI construction panel, incl. all standard openings
- Sound-decoupled mounting rail
- Adjustable urinal mounting crossbar
- Adjustable sound-decoupled water inlet crossbar
- Adjustable drain support bar
- swivelling drain elbow DN 50
- Pre-assembled flush-mounted flush valve or pipework set
- Construction protection for inspection opening
- All fixing and installation accessories
- Adjustable foot supports 0-220 mm
- 1/2" connection bracket
- Urinal trap
- Urinal connection set

Dimensions: W / H / D 525 / 1080 oder 1250 / 140-220 mm  
Suitable for standard urinals

**Attention:**

If you are using a urinal cover, please contact our hotline contact our hotline 0211/95001-0 beforehand!

Design \_\_\_\_\_ Ref. no. \_\_\_\_\_

As an empty element

Installation height 1080 mm 647600

Installation height 1250 mm 647620

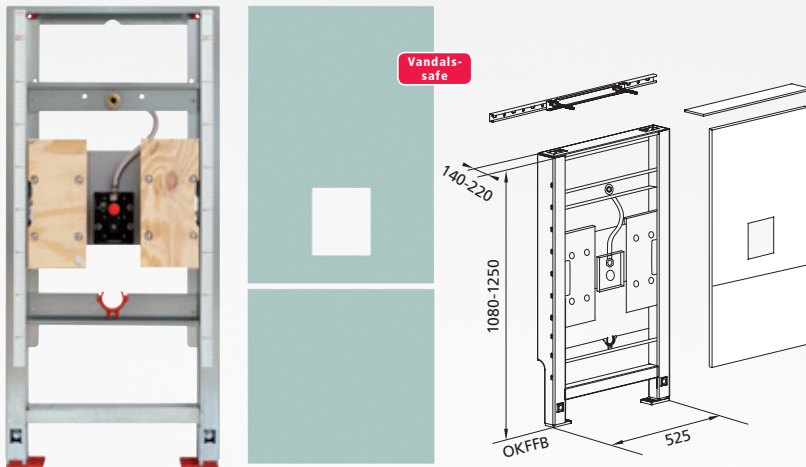
Design \_\_\_\_\_ Ref. no. \_\_\_\_\_

Burda flush valve U-05/06

Installation height 1250 mm 641694



## Santro urinal module with shell set for Flowtronik



- Galvanised, self-supporting and sound-decoupled steel construction
- Pre-assembled flush-mounted urinal pipework set with 230 V connection, Valve block with water shut-off
- Functions: Standard and stadium mode, forced flushing
- Single-layer (12.5 mm) GKF construction panel, incl. all standard openings
- Sound-decoupled mounting rail
- Urinal mounting plate
- Adjustable, sound-decoupled water inlet traverse
- Adjustable drain crossbar
- Swivelling drain elbow DN 50
- Construction protection for inspection opening
- All fixing and installation accessories
- Adjustable foot supports 0-220 mm
- 1/2" connection bracket
- Flexible hose
- Inlet connector
- Urinal connection set

Dimensions: W / H / D 525 / 1080-1250 / 140-220 mm  
Suitable for standard urinals

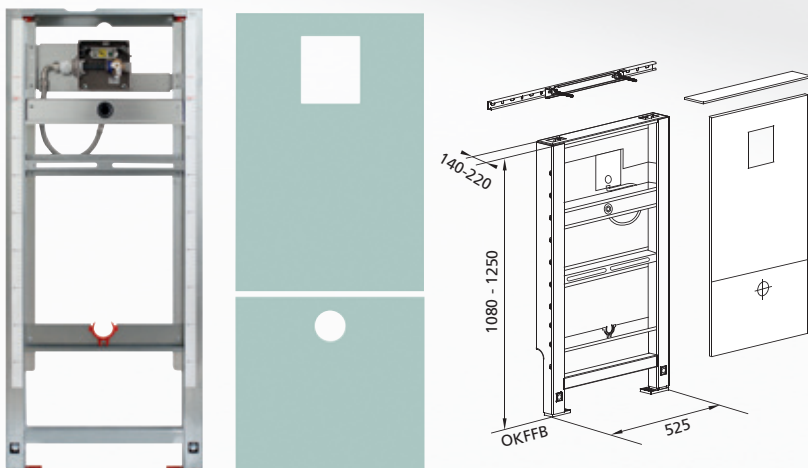
**Note:**

Not suitable for urinals with moulded-in urinal trap, e.g. V&B Omnia Pro #7502 00, #7503 00, #7504 00 etc.

Design	Ref. no.
Installation height 1080 mm	646000
Installation height 1250 mm	646001



## Santro urinal module with wall-mounted/flush-mounted flush valve or shell set



- Galvanised, self-supporting and sound-decoupled steel construction
- Pre-assembled flush-mounted urinal electronics or body kit
- Single-layer (12.5 mm) GKF construction panel, incl. all standard openings
- Sound-decoupled mounting rail
- Adjustable urinal fixing crossbar
- Adjustable, sound-decoupled water inlet traverse
- Adjustable drain traverse
- Swivelling drain elbow DN 50
- Construction protection for inspection opening
- All fastening and mounting accessories
- Adjustable foot supports 0-220 mm
- Flexible hose
- Inlet connector
- Urinal trap
- Urinal connection set

Dimensions: W / H / D 525 / 1080 oder 1250 / 140-220 mm  
Suitable for standard urinals

**Note:**

Not suitable for urinals with moulded-in urinal trap, e.g. V&B Omnia Pro #7502 00, #7503 00, #7504 00 etc.

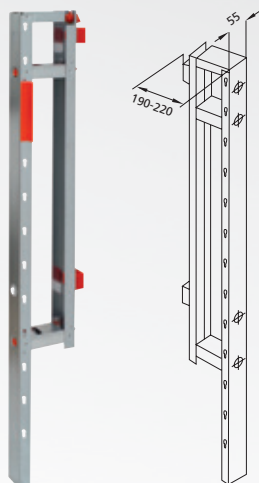
Design	Ref. no.
with Geberit universal shell set for Hy-Tronic and Hy-Touch	
Installation height 1250 mm	647572

Design	Ref. no.
for Geberit Flushcontrol	
Installation height 1080 mm	641714
Installation height 1250 mm	641713
for Duravit Utronic	
Installation height 1080 mm	641724
Installation height 1250 mm	641723





Santro subcarrier for shelf depth 190-220 mm



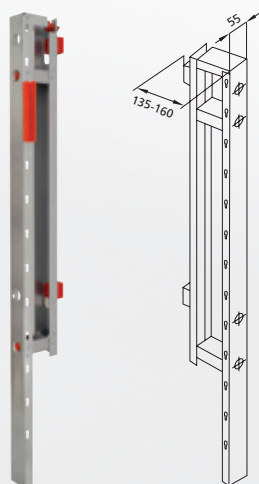
Design	Ref. no.	Design	Ref. no.
<b>Typ 108</b> Installation height 1080 mm Installation depth 190-220 mm	667409	<b>Typ 125</b> Installation height 1250 mm Installation depth 190-220 mm	667423
<b>Typ 85</b> Installation height 850 mm Installation depth 190-220 mm	667416	<b>Typ 60</b> Installation height 600 mm Installation depth 190-220 mm	667520

For extending an extension section and for bridging distances over 625 mm wide between 2 sanitary modules, etc. Also suitable for fitting plates, Frame for installation rail (using spacer rails 677 034), adjustable in depth, can be used both left and right usable

- Galvanised, sound-decoupled steel construction
- All fixing and installation accessories



Santro subcarrier for shelf depth 135-160 mm



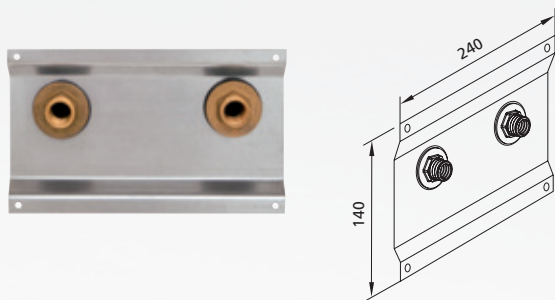
Design	Ref. no.
<b>Typ 108 S</b> Installation height 1080 mm	667430
<b>Typ 85</b> Installation height 850 mm	667447
<b>Typ 125</b> Installation height 1250 mm	667454

For extending an extension section and for bridging distances over 625 mm wide between 2 sanitary modules, etc. Also suitable for fitting plates, Frame for installation rail (using spacer rails 677 034), Adjustable in depth, can be used both left and right

- Galvanised, sound-decoupled steel construction
- All fixing and installation accessories



## Santro fitting plate A for surface-mounted fittings



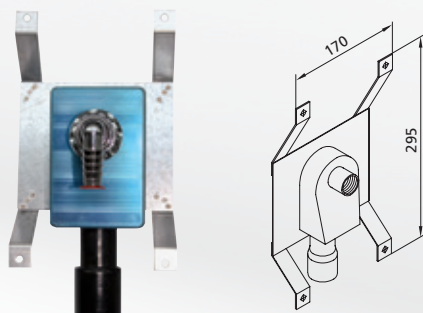
Design \_\_\_\_\_ Ref. no. \_\_\_\_\_  
681658.00

**For mounting using spacer rails (677 034) between 2 sanitary modules or between module and intermediate support or only between intermediate supports or in a shaft element.**

- Galvanised steel construction
- 2 wall bushings 1/2"
- complete mounting and assembly accessories



## Santro fitting plate E1 for washing machine waste water outlet



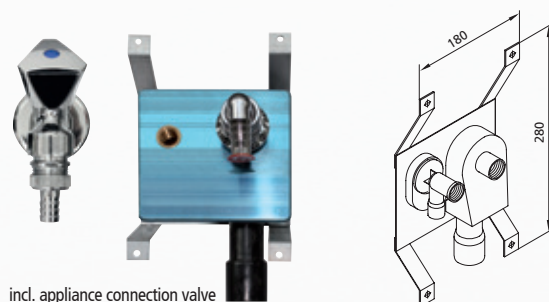
Design \_\_\_\_\_ Ref. no. \_\_\_\_\_  
681764

**For mounting using spacer rails (677 034) between 2 sanitary modules or between module and intermediate support or only between intermediate supports or in a shaft element.**

- Galvanised steel construction
- Concealed odour trap
- complete mounting and assembly accessories



## Santro tap plate E2 for washing machine inlet and outlet



incl. appliance connection valve

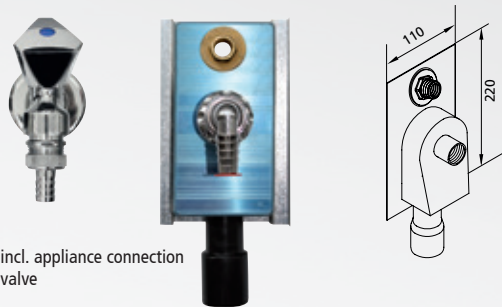
Design \_\_\_\_\_ Ref. no. \_\_\_\_\_  
681771

**For mounting using spacer rails (677 034) between 2 sanitary modules or between module and intermediate support or only between intermediate supports or in a shaft element.**

- Galvanised steel construction
- 1 wall disc 1/2"
- Concealed odour trap
- complete mounting and assembly accessories



## Santro tap plate E3 for washing machine inlet and outlet



incl. appliance connection valve

Design	Ref. no.
	683607

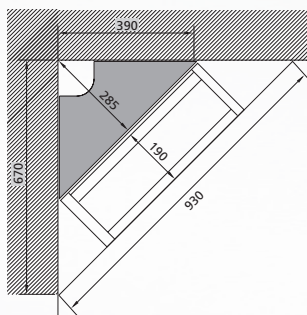
For lateral installation in a subcarrier or lateral installation in a shaft element type 190

For mounting using spacer rails (677 034) between 2 sanitary modules or between module and intermediate support or only between intermediate supports or in a shaft element.

- Galvanised steel construction
- 1 wall disc 1/2"
- Concealed odour trap
- complete mounting and assembly accessories



## Santro triangular profile



Design	Ref. no.
	679150

- For over-corner mounting of modules
- galvanised



## Santro GKFI building board



Design	Ref. no.
<b>W x H x D</b>	
624 x 1075 x 12.5 mm	697024
598 x 1300 x 12.5 mm	697000

- Core-impregnated, fibre-reinforced plasterboard





03 – 15 **Santro** Pre-planked prewall system



17 – 47

**BS+**

WC page 22-27  
WT page 27-34  
Sink page 35

Bidet  
Urinal  
Shower/Bathtub

page 35  
page 36-38  
page 38-39

Built-in furniture  
Fastening element  
Element for fittings

page 40  
page 41  
page 41

Traverses page 43-44  
Accessories page 45-47



49 – 52 **my move elements** Electrically height-adjustable



53 – 57 **Kombiset** Wet construction system



59 – 70 **Flush buttons**



71 – 86 **Flushing systems**



88 – 89 **Pondus XL** Floor-standing WC incl. seat for obese people



## Description of system

### 1.1 BS+

The BS+ installation range is the universally applicable, industrially pre-assembled element system for stud wall and front wall installation.

#### 1.1.1 Elements

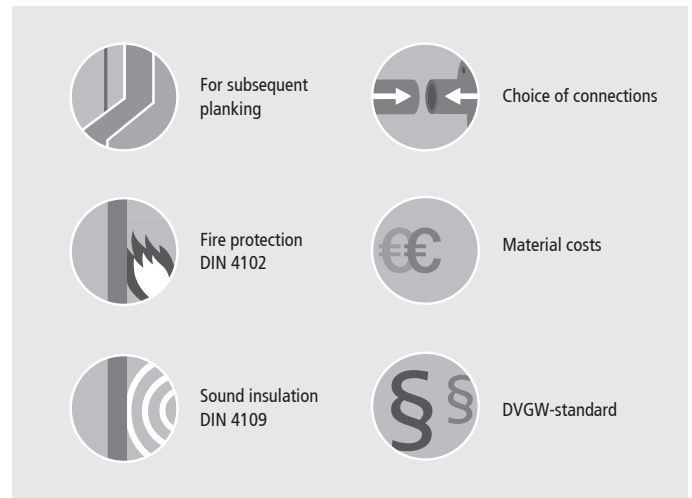
This extensive range includes elements for toilets but also for urinals, bidets and wash-stands, as well as the corresponding elements for barrier-free construction. Ready-made elements are even available for special applications such as countertop washbasins with wall fittings, water metres or urinal electronics.

#### 1.1.2 Free choice of connections

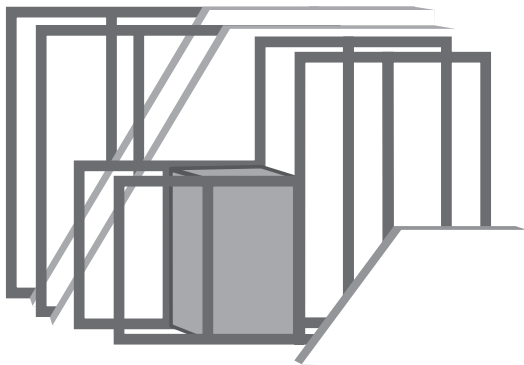
With all units the fitter is free to choose between cisterns from various brand manufacturers and decide for himself what type of pre-fitted connection should be supplied with the element.

### 1.2 Application area

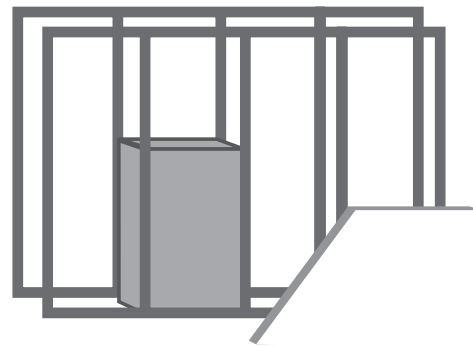
The BS+ is the flexible dry construction installation system for front wall installation or for fitting into a stud wall.



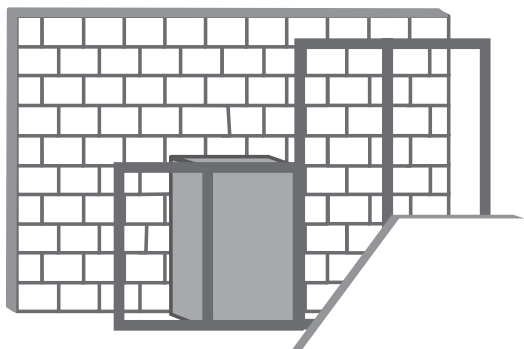
The application areas for this system are therefore building sites where drywallers are also expected to be included in handling the job.



In front of stud wall



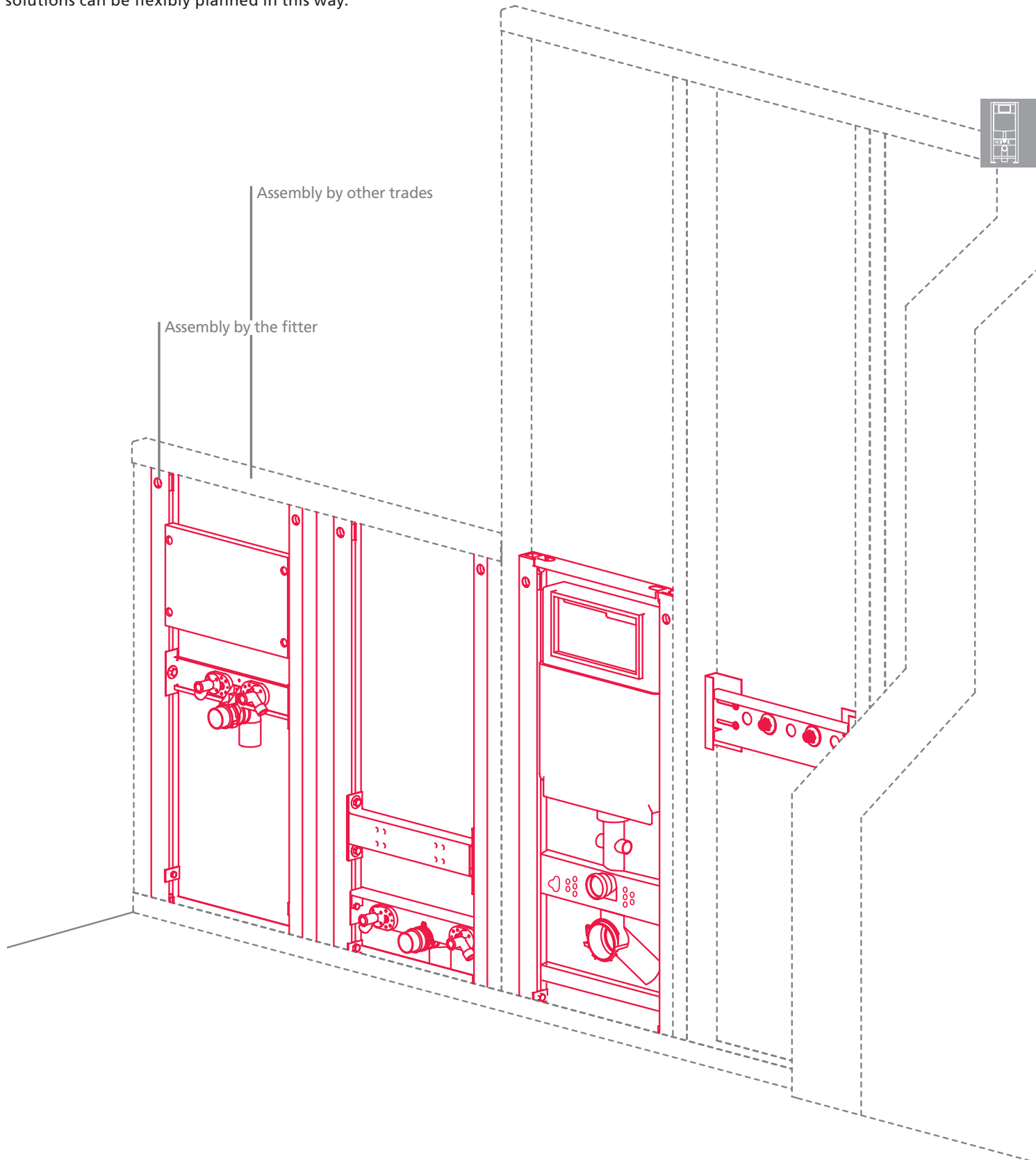
In stud wall



In front of solid wall

### 1.3 Benefits

The BS+ installation range offers fitters and planners the opportunity to create complete installations in classic dry constructions and to resort to pre-assembled units. Individual solutions can be flexibly planned in this way.



## Assembly instructions for fitting in stud walls

### 1.1 Perfect and installation-friendly

For new builds, renovations, loft conversions and the commercial sector: Light construction wall with integrated fastening and connection options for sanitary units are in line with modern building technology.

The BS+ system from Burda gives you a fully galvanised, self-supporting design for fitting sanitary units into light construction walls. This is an installation-friendly system for fitting individually into the C-profiles of a stud wall.

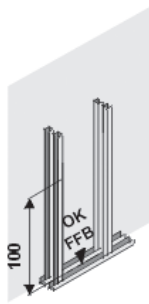
### 1.2 Design of the light constructions walls

The BS+ elements from Burda are designed to be fitted in stud walls according to DIN 18183, November 1988 edition, walls made out of plasterboard panels (design of metal stud walls) or wooden stud walls, with a load bearing capacity in accordance with DIN 18183. In so-called wet rooms with metal stud wall and BS+ Plus sanitary units planking should be done with double-layer, impregnated firecheck plasterboard panels.



When fitting WC installations suitable for old and disabled people, reinforced UA profiles must always be used!

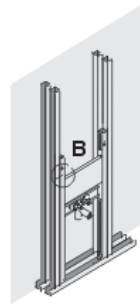
### Installation example:



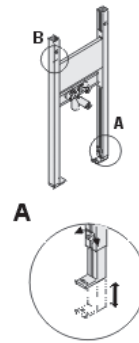
metre mark to the standing C-profiles.



Inserting the element into the stud wall.

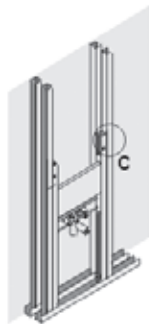


Metre mark on the stud wall align with the marking on the panel. (B)

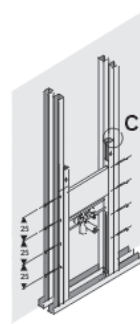
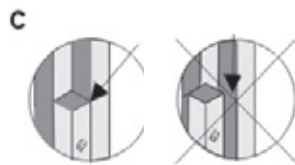


Height adjustment of the element is done by adjusting the feet of the element. (A)

- Loosen nut
- Move foot to required size
- Tighten nut



Align the outer edges of the element flush with the outer edges of the stud wall and fix the position. (C)

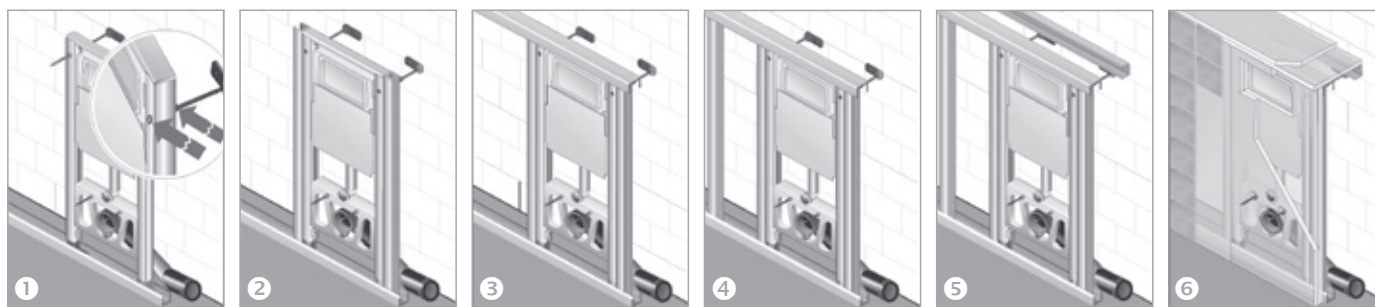


Screw the aligned stud wall panel combination to the side and to the floor.

**Note:** The panelling must always be fully seated and screwed down without any gaps.



## Installation instructions for installation in a pre-wall installation



① Fasten the U-profile to the floor at the required distance to the wall and place the BS+ element into it. Install the two wall brackets supplied as accessories to the BS+ element and adjust the gap between the element and the wall with the aid of the wall brackets. Make the wall brackets face downwards or to the side. Cut the threaded rods off so that they no longer protrude from the element. Tighten the lock nuts.

② On the left and right of the element, use the self-tapping screws to fasten a C-profile on each side, which are additionally joined to the U-profile with pop rivets at the bottom.

**Note:** As a matter of principle, all C and U-profiles are joined with pop rivets or profile connecting pliers.

③ Put another U-profile over the element in the required length, which will act as a shelving area.

④ Fan out the levels in which the panels are located. Every 625 mm, a C-profile must be fanned out or a new panel placed.

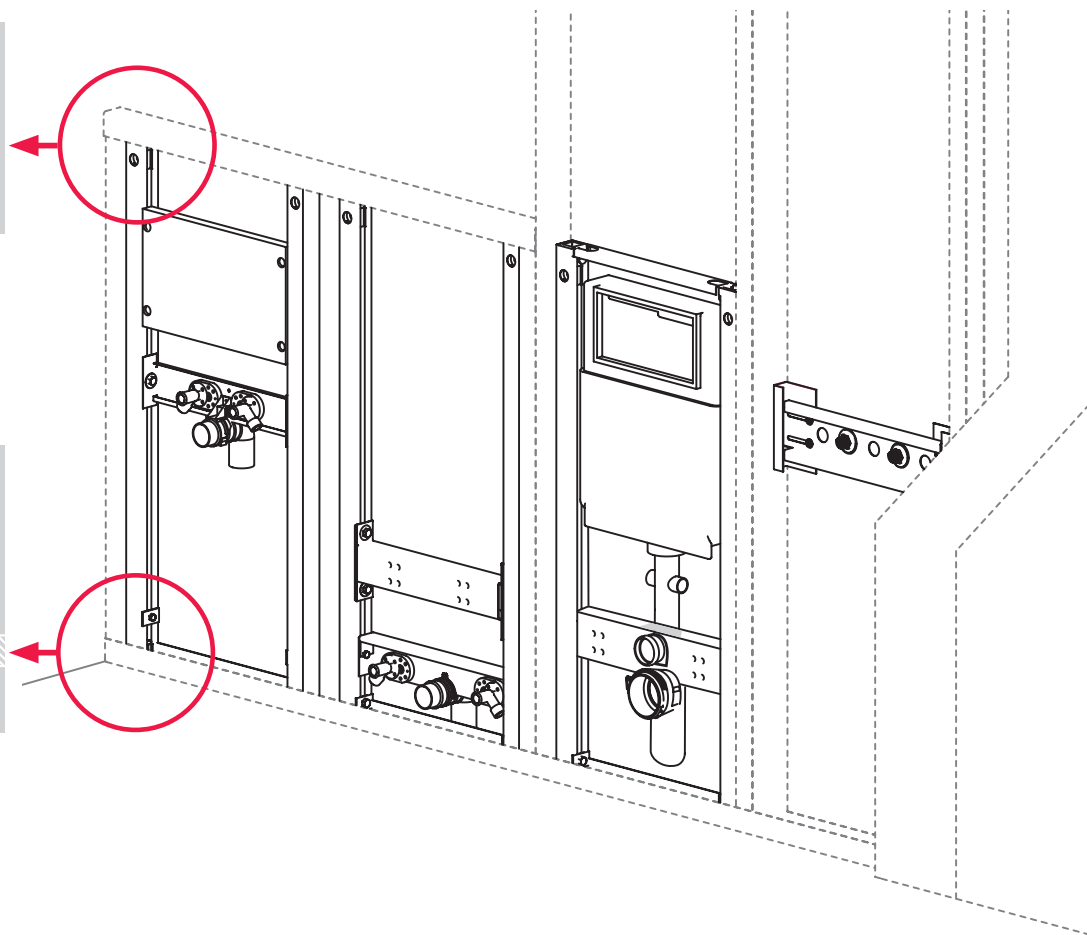
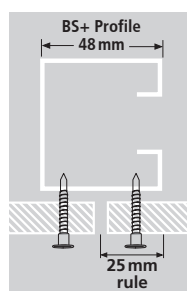
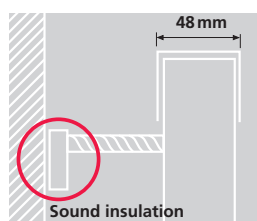
⑤ Now attach another U-profile (back to the wall) at the same height as the top edge of the element.

⑥ Plank this construction with plasterboard suitable for damp rooms. The panelling must always be double with no gaps! Additional screws must be used in the WC area!

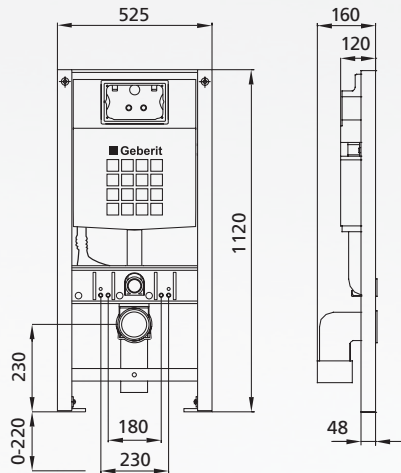


## Can be installed in a stud wall or as a single element using wall brackets for pre-wall installation

- The elements consist of 48 mm wide profiles, so they can be perfectly installed in a 50 plasterboard stud wall.
- GKFI building boards can be installed be placed butt to butt
- Fastening the building boards without pre-drilling
- Sound decoupling integrated as standard (all red plastic parts)
- Element feet as standard 220 mm extendable
- High corrosion protection due to sendzimir galvanised elements
- 4-point fastening
- All current standards are complied with (e.g. DIN 4109 etc.)



BS+ wall-hung WC element with concealed cistern Height 1120 mm



- Galvanised, self-supporting and sound-decoupled steel construction
- WC ceramic fixtures 180 and 230 mm
- Connection bend made of PE-HD, DN 90 mm  
Incl. transition sleeve made of PE-HD, DN 90/110 mm
- Wall-mounted WC connection set
- Built-in, condensation-insulated concealed cistern
- Building protection for inspection opening
- Construction plug for inlet and outlet pipe
- All mounting and assembly accessories
- Adjustable footrests up to max. 0-220 mm
- Cistern connection bracket (exception 211 009.99)  
and integrated or separate angle valve
- Actuation from the front

Dimensions: W / H / D 525 / 1120 / 160 mm (with waste pipe)  
Suitable for standard wall-hung WCs.

**Accessories:**

Sound-decoupled wall brackets for pre-wall installation, page 47  
Flush plates and flushing systems from page 59

**Note:**

WC power brackets for WC ceramics with small contact surface less 17 cm (e.g. Flaminia, Sentique), page 45

Design	Ref. no.	Design	Ref. no.
<b>Installation height 1120 mm</b>		Geberit cistern Delta with 2-quantity flush incl. sound-decoupled wall brackets for pre-wall mounting	211109.99
Geberit cistern Sigma with 2-quantity flush	211088.00	Burda K770 with 2-quantity flush	211140.00

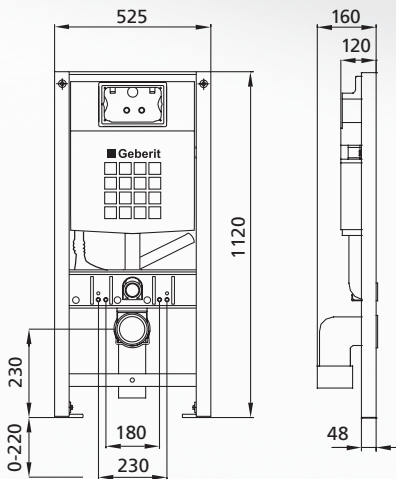
**Can also be used as a barrier-free WC element.**

all WC frames with Geberit cistern: compatible with Duravit Sensowash® and Geberit AquaClean WCs

WC frames with Geberit cistern Sigma: additionally compatible with Geberit Duo-Fresh inserts (cleaning cubes)



BS+ wall-mounted WC element for odour extraction exhaust air



- Galvanised, self-supporting and sound-decoupled steel construction
- WC ceramic fixtures 180 and 230 mm
- Connection bend made of PE-HD, DN 90 mm  
Incl. transition sleeve made of PE-HD, DN 90/110 mm
- Wall-mounted WC connection set
- Built-in, condensation-insulated concealed cistern
- Building protection for inspection opening
- Construction plug for inlet and outlet pipe
- All mounting and assembly accessories
- Adjustable footrests up to max. 0-220 mm
- Cistern connection bracket (exception 211 009.99)  
and integrated or separate angle valve
- Actuation from the front

Dimensions: W / H / D 525 / 1120 / 160 mm (with waste pipe)  
Suitable for standard wall-hung WCs.

**Accessories:**

Sound-decoupled wall brackets for pre-wall installation, page 47  
Flush plates and flushing systems from page 59

**Note:**

WC power brackets for WC ceramics with small contact surface less 17 cm (e.g. Flaminia, Sentique), page 45

Design	Ref. no.	Design	Ref. no.
<b>Installation height 1120 mm</b>		Burda cistern K770 with 2-quantity flush for odour extraction Exhaust air 50 mm prepared	220140.00
Geberit cistern Sigma with 2-quantity flush for odour extraction Exhaust air 50 mm prepared	220088.00		

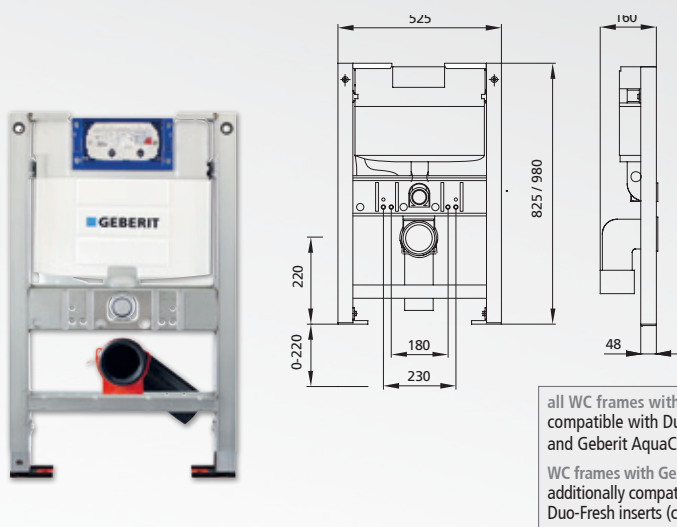
**Can also be used as a barrier-free WC element.**

all WC frames with Geberit cistern: compatible with Duravit Sensowash® and Geberit AquaClean WCs

WC frames with Geberit cistern Sigma: additionally compatible with Geberit Duo-Fresh inserts (cleaning cubes)



## BS+ wall-hung WC element Height 825 und 980 mm



all WC frames with Geberit cistern:  
compatible with Duravit Sensowash®  
and Geberit AquaClean WCs  
WC frames with Geberit cistern Sigma:  
additionally compatible with Geberit  
Duo-Fresh inserts (cleaning cubes)

- Galvanised, self-supporting and sound-decoupled steel construction
- Reduced shelf height
- WC ceramic fixtures 180 and 230 mm
- Connection bend made of PE-HD, DN 90 mm  
Incl. transition sleeve made of PE-HD, DN 90/110 mm
- Wall-mounted WC connection set
- Built-in, condensation-insulated concealed cistern
- Building protection for inspection opening
- Construction plug for inlet and outlet pipe
- All mounting and assembly accessories
- Adjustable footrests up to max. 0-220 mm
- Cistern connection bracket (exception 211 009.99)  
and integrated or separate angle valve
- Actuation from the front or top

Dimensions: W / H / D 525 / 825 oder 980 / 160 mm (with waste pipe)  
Suitable for standard wall-hung WCs.

### Accessories:

Sound-decoupled wall brackets for pre-wall installation, page 47  
Flush plates and flushing systems from page 59

### Note:

The toilet lid only remains in the open position if the distance between the wall and the wall to the toilet lid is > 25 mm.

When using WC ceramics such as those from Geberit/Keramag: Renova No. 1, Comprimo 204550, Joly 203060 V&B: Viala 765310, Viala 765210, the flush plate must be installed from above.

### Note:

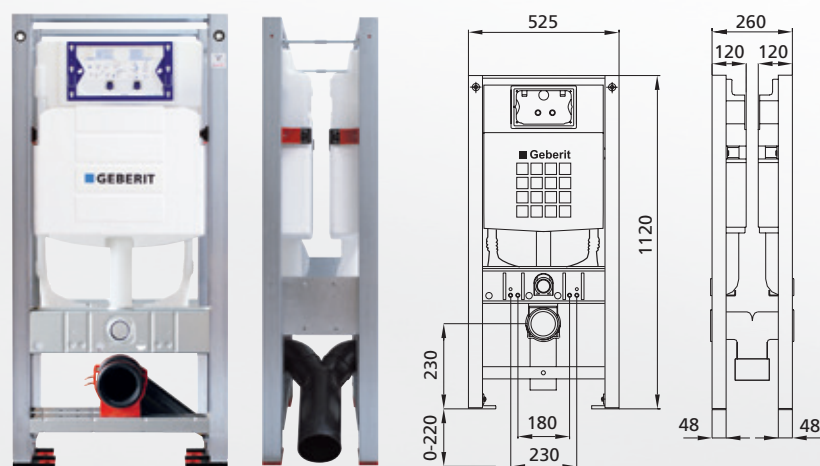
WC power brackets for WC ceramics with small contact surface less 17 cm (e.g. Flaminia, Sentique), page 45



Can also be used as a barrier-free WC element.

Design	Ref. no.	Design	Ref. no.
<b>Installation height 825 mm</b>		<b>Installation height 980 mm</b>	
Geberit cistern Omega Actuation from above / front with 2-quantity flush	211390.00	Geberit cistern Omega Actuation from above / front with 2-quantity flush	211395.00

## BS+ double WC element for wall-hung WC



- Galvanised, self-supporting and sound-decoupled steel construction
- WC ceramic fixtures 180 and 230 mm
- HDPE breeches branch DN 80 / 100 / 80
- 2x wall-mounted WC connection fittings
- 2x built-in, condensation-insulated concealed cistern  
with dual-flush technology
- Building protection for inspection opening
- Construction plug for inlet and outlet pipe
- All mounting and assembly accessories
- Adjustable footrests up to max. 0-220 mm
- 2x cistern connection bracket with integrated  
or separate angle valves
- Actuation from the front

Dimensions: W / H / D 525 / 1120 / 260 mm  
Suitable for standard wall-hung WCs.

### Accessories:

Flush plates and flushing systems from page 59

### Note:

WC power brackets for WC ceramics with small contact surface less 17 cm (e.g. Flaminia, Sentique), page 45

Can also be used as a barrier-free WC element.

Design	Ref. no.
<b>Installation height 1120 mm</b>	
Geberit cistern Sigma with 2-quantity flush	211122.00
Geberit cistern Delta with 2-quantity flush	211222.99
Burda cistern K770 with 2-quantity flush	211240.00

all WC frames with Geberit cistern:  
compatible with Duravit Sensowash®  
and Geberit AquaClean WCs  
WC frames with Geberit cistern Sigma:  
additionally compatible with Geberit  
Duo-Fresh inserts (cleaning cubes)



BS+ floor-standing WC element with Geberit cistern Sigma oder Burda cistern K770 for baby / child / adult



- Galvanised, self-supporting and sound-decoupled steel construction
- Connection bend made of PE-HD, DN 90 mm  
Incl. transition sleeve made of PE-HD, DN 90/110 mm
- Free-standing WC connection set white with cover rosettes
- Built-in, condensation-insulated Geberit Sigma concealed cistern with dual-flush technology or built-in, condensation-insulated Burda concealed cistern K770 with dual-flush technology
- Building protection for inspection opening
- Construction plug for inlet and outlet pipe
- All mounting and assembly accessories
- Adjustable footrests up to max. 0-220 mm
- Cistern connection bracket and integrated or separate angle valve
- Actuation from the front

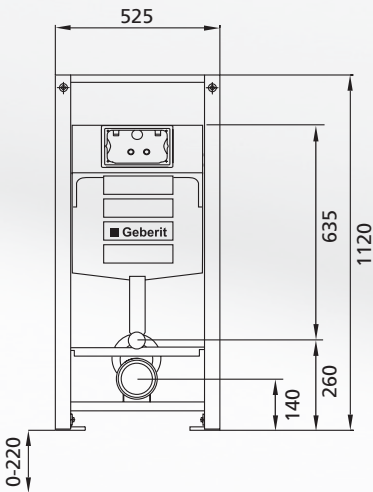
Dimensions: W / H / D 525 / 1120 / 160 mm (with waste pipe)  
Suitable for Geberit floor-standing WCs.

**Accessories:**

Sound-decoupled wall brackets for pre-wall installation, page 47  
Flush plates and flushing systems from page 59

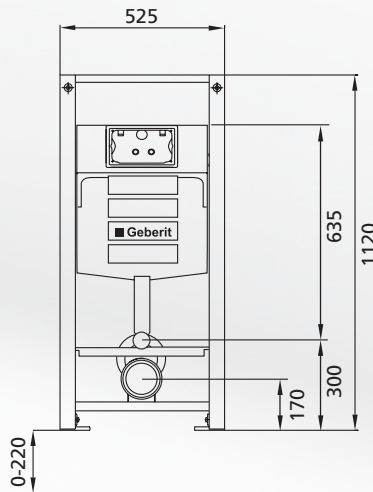
One element for 3 different WC ceramics

Various settings of the traverses



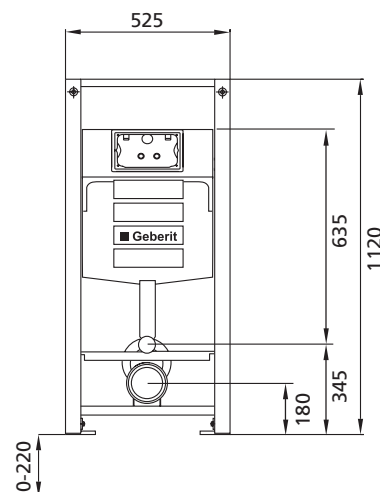
**Baby floor-standing WC**

Traverse inlet  
(dimension centre inlet height: 260 mm)  
Traverse drain  
(dimension centre drain height: 140 mm)



**Child floor-standing WC**

Traverse inlet  
(dimension centre inlet height: 300 mm)  
Traverse drain  
(dimension centre drain height: 170 mm)



**Adult floor-standing WC**

Traverse inlet  
(dimension centre inlet height: 345 mm)  
Traverse drain  
(dimension centre drain height: 180 mm)

Set as standard for baby  
Stand WC set

Design \_\_\_\_\_ Ref. no. \_\_\_\_\_

**For Geberit Bambini / Adult floor-standing WC  
Installation height 1120 mm**

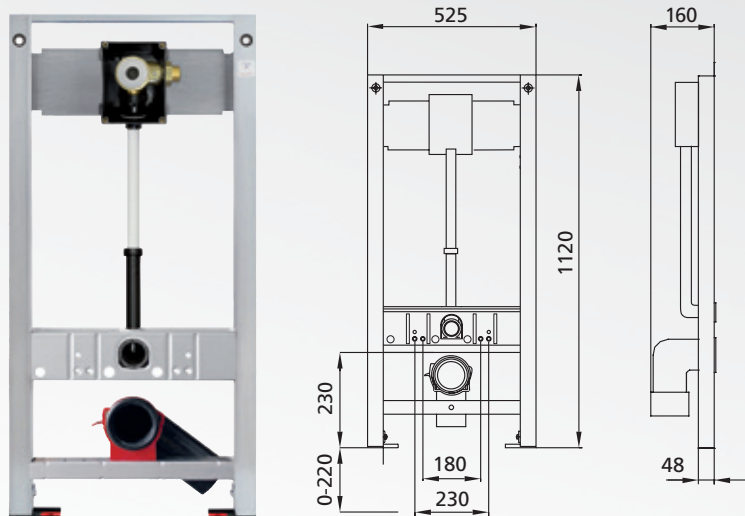
Geberit cistern Sigma with 2-quantity flush 211948.00

Burda cistern K770 with 2-quantity flush 211943.00





## BS+ WC element for WWC, 112cm with Schell concealed WC flush valve Compact II



- Galvanised, self-supporting and sound-decoupled steel construction
- WC ceramic fixtures 180 and 230 mm
- Connection bend made of PE-HD, DN 90 mm Incl. transition sleeve made of PE-HD, DN 90/110 mm
- Wall-mounted WC connection set
- Built-in WC concealed flush valve set Schell WC flush valve Compact II
- Pre-assembled water section made of Dr brass
- Pre-shut-off / connection G3 / 4 AG, right
- Flushing plug G3/4 AG
- Plaster cover

Dimensions: W / H / D 525 / 1120 / 160 mm (with waste pipe)  
Suitable for standard wall-hung WCs.

### Accessories:

Sound-decoupled wall brackets for pre-wall installation, page 47  
Flush plates and flushing systems from page 59

### Note:

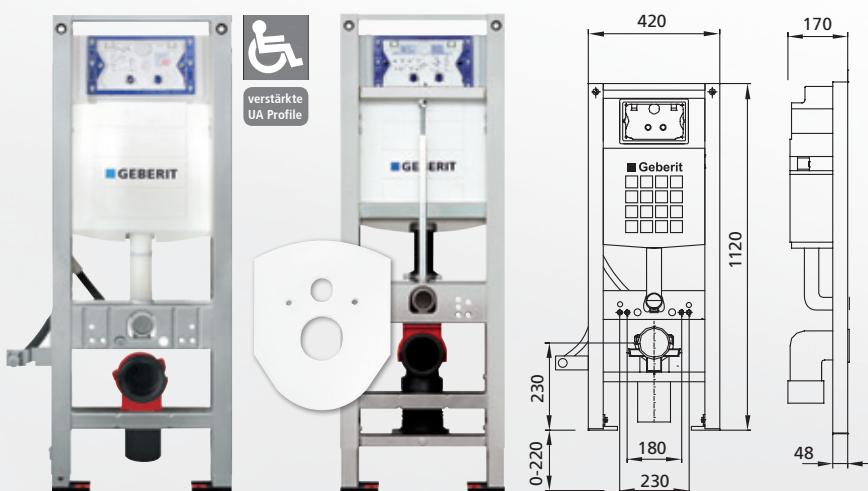
WC power brackets for WC ceramics with small contact surface less 17 cm (e.g. Flaminia, Sentique), page 45

Design \_\_\_\_\_ Ref. no. \_\_\_\_\_

Schell concealed WC flush valve Compact II 211246



## BS+ wall-mounted WC element for barrier-free WC facilities



- Galvanised, self-supporting and sound-decoupled steel construction
- Reduced element width 420 mm
- WC ceramic fixtures 180 and 230 mm
- Connection bend made of PE-HD, DN 90 mm Incl. transition sleeve made of PE-HD, DN 90/110 mm
- Wall-mounted WC connection set
- Built-in, condensation-insulated concealed cistern with dual-flush technology
- Building protection for inspection opening
- Construction plug for inlet and outlet pipe
- All mounting and assembly accessories
- Adjustable footrests up to max. 0-220 mm
- Cistern connection bracket with integrated or separate angle valve
- Actuation from the front

Dimensions: W / H / D 420 / 1120 / 170 mm (with waste pipe)  
Suitable for standard wall-hung WCs.

### Accessories:

Sound-decoupled wall brackets for pre-wall installation, page 47  
Flush plates and flushing systems from page 59

### Note:

WC power brackets for WC ceramics with small contact surface less 17 cm (e.g. Flaminia, Sentique), page 45

Design \_\_\_\_\_ Ref. no. \_\_\_\_\_

Design \_\_\_\_\_ Ref. no. \_\_\_\_\_

### barrier-free Installation height 1120 mm

Geberit cistern Sigma with 2-quantity flush 211148.00

Burda cistern K770 with 2-quantity flush 211150.00

Geberit cistern Sigma with 2-quantity flush Odour extraction exhaust air 50 mm prepared 220099.00

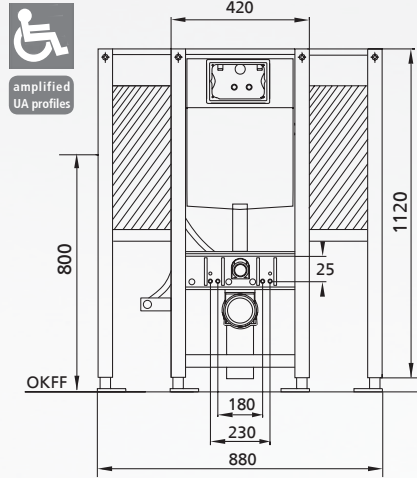
Geberit cistern Sigma with 2-quantity flush with cover plate (white) 8 cm height adjustable after tiling 211090.00

all WC frames with Geberit cistern: compatible with Duravit Sensowash® and Geberit AquaClean WCs

WC frames with Geberit cistern Sigma: additionally compatible with Geberit Duo-Fresh inserts (cleaning cubes)



BS+ wall-mounted WC element for barrier-free WC facilities  
incl. mounting plates for folding support handles right + left



Design \_\_\_\_\_ Ref. no. \_\_\_\_\_

**barrier-free Installation height 1120 mm**

Geberit cistern Sigma  
with 2-quantity flush  
**Width 880 mm** 211600.00

Burda cistern K770  
with 2-quantity flush 211700.00

- Galvanised, self-supporting and sound-decoupled steel construction
- WC ceramic fixtures 180 and 230 mm
- Connection bend made of PE-HD, DN 90 mm  
Incl. transition sleeve made of PE-HD, DN 90/110 mm
- Wall-mounted WC connection set
- Built-in, condensation-insulated concealed cistern with dual-flush technology
- Building protection for inspection opening
- Construction plug for inlet and outlet pipe
- All mounting and assembly accessories
- Adjustable footrests up to max. 0-220 mm
- Cistern connection bracket with integrated or separate angle valve
- Mounting plate right and left
- Actuation from the front

Dimensions: W / H / D 880 / 1120 / 170 mm (with waste pipe)  
Suitable for standard wall-hung WCs.

**Accessories included:**  
4 Sound-decoupled wall brackets for pre-wall mounting

**Accessories optional:**  
Flush plates and flushing systems from page 59

**Note:**  
WC power brackets for WC ceramics with small contact surface less 17 cm (e.g. Flaminia, Sentiche), page 45

all WC frames with Geberit cistern:  
compatible with Duravit Sensowash®  
and Geberit AquaClean WCs

WC frames with Geberit cistern Sigma:  
additionally compatible with Geberit  
Duo-Fresh inserts (cleaning cubes)



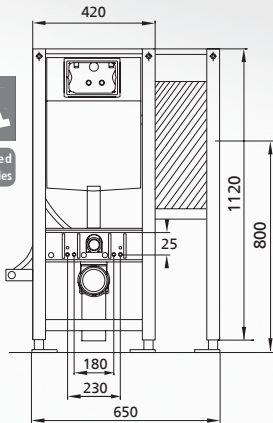
BS+ wall-mounted WC element for barrier-free WC facilities  
incl. mounting plates for hinged support handles, optionally right / left



with mounting on the right



with mounting on the left



- Galvanised, self-supporting and sound-decoupled steel construction
- WC ceramic fixtures 180 and 230 mm
- Connection bend made of PE-HD, DN 90 mm  
Incl. transition sleeve made of PE-HD, DN 90/110 mm
- Wall-mounted WC connection set
- Built-in, condensation-insulated concealed cistern with dual-flush technology
- Building protection for inspection opening
- Construction plug for inlet and outlet pipe
- All mounting and assembly accessories
- Adjustable footrests up to max. 0-220 mm
- Cistern connection bracket with integrated or separate angle valve
- Mounting plate right or left
- Actuation from the front

Dimensions: W / H / D 750 / 1120 / 170 mm (with waste pipe)  
Suitable for standard wall-hung WCs.

**Accessories included:**  
3 Sound-decoupled wall brackets for pre-wall mounting

**Accessories optional:**  
Flush plates and flushing systems from page 59

**Note:**  
WC power brackets for WC ceramics with small contact surface less 17 cm (e.g. Flaminia, Sentiche), page 45

all WC frames with Geberit cistern:  
compatible with Duravit Sensowash®  
and Geberit AquaClean WCs

WC frames with Geberit cistern Sigma:  
additionally compatible with Geberit  
Duo-Fresh inserts (cleaning cubes)



Design \_\_\_\_\_ Ref. no. \_\_\_\_\_

**with mounting on the right**  
Installation height 1120 mm

Geberit cistern Sigma  
with 2-quantity flush 211606.00  
Burda cistern K770  
with 2-quantity flush 211303.00

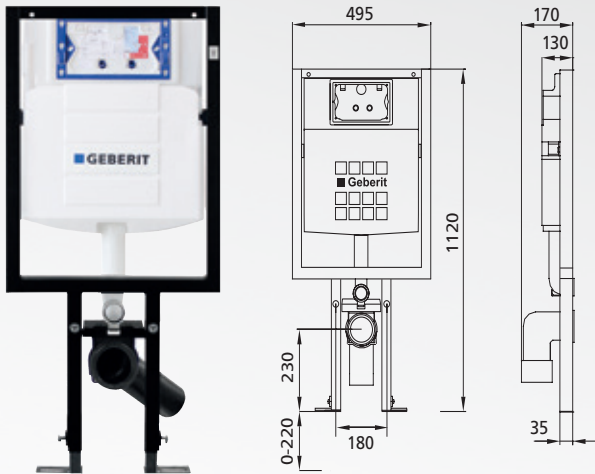
Design \_\_\_\_\_ Ref. no. \_\_\_\_\_

**with mounting on the left**  
Installation height 1120 mm

Geberit cistern Sigma  
with 2-quantity flush 211666.00  
Burda cistern K770  
with 2-quantity flush 211330.00

**BS+ WC element „Reno-Kit“**

Replacement module for existing stud walls / pre-wall installations



- Galvanised, self-supporting and sound-decoupled steel construction
- WC ceramic fixtures 180 mm
- Connection bend made of PE-HD, DN 90 mm  
Incl. transition sleeve made of PE-HD, DN 90/110 mm
- Wall-mounted WC connection set
- Built-in, condensation-insulated concealed cistern with dual-flush technology
- Building protection for inspection opening
- Construction plug for inlet and outlet pipe
- All mounting and assembly accessories
- Adjustable footrests up to max. 0-220 mm
- Cistern connection bracket with integrated or separate angle valve
- Actuation from the front

Dimensions: W / H / D 495 / 1120 / 170 mm (with waste pipe)  
Suitable for standard wall-hung WCs.

**Accessories:**

Flush plates and flushing systems from page 59

Design \_\_\_\_\_ Ref. no. \_\_\_\_\_

**barrier-free Installation height 1120 mm**

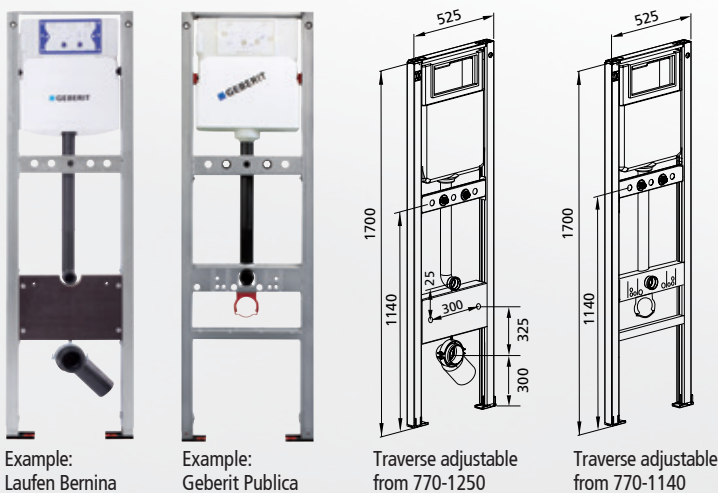
Geberit cistern Sigma with 2-quantity flush	211630.00
Burda cistern K770 with 2-quantity flush	211635.00

all WC frames with Geberit cistern: compatible with Duravit Sensowash® and Geberit AquaClean WCs

WC frames with Geberit cistern Sigma: additionally compatible with Geberit Duo-Fresh inserts (cleaning cubes)



**BS+ element for Laufen Bernina / Geberit Publica wall-mounted sinks (formerly Keramag Espital) with concealed cistern, for wall-mounted tap**



Example: Laufen Bernina

Example: Geberit Publica

Traverse adjustable from 770-1250

Traverse adjustable from 770-1140

- Galvanised, self-supporting and sound-decoupled steel construction
- WC ceramic fixtures 180 and 230 mm
- Connection bend made of PE-HD, DN 90 mm  
Incl. transition sleeve made of PE-HD, DN 90/110 mm
- Wall-mounted WC connection set
- Built-in, condensation-insulated concealed cistern with dual-flush technology
- Building protection for inspection opening
- Construction plug for inlet and outlet pipe
- All mounting and assembly accessories
- Adjustable footrests up to max. 0-220 mm
- Cistern connection bracket (exception 211061, 211062) with integrated or separate angle valve
- 2 sound-decoupled, width-adjustable 1/2" wall ducts
- Actuation from the front

Dimensions: W / H / D 525 / 1700 / 160 mm (with waste pipe)

**Accessories:**

Sound-decoupled wall brackets for pre-wall installation, page 47  
Flush plates and flushing systems from page 59

Design \_\_\_\_\_ Ref. no. \_\_\_\_\_

Design \_\_\_\_\_ Ref. no. \_\_\_\_\_

**Laufen Bernina Installation height 1700 mm**

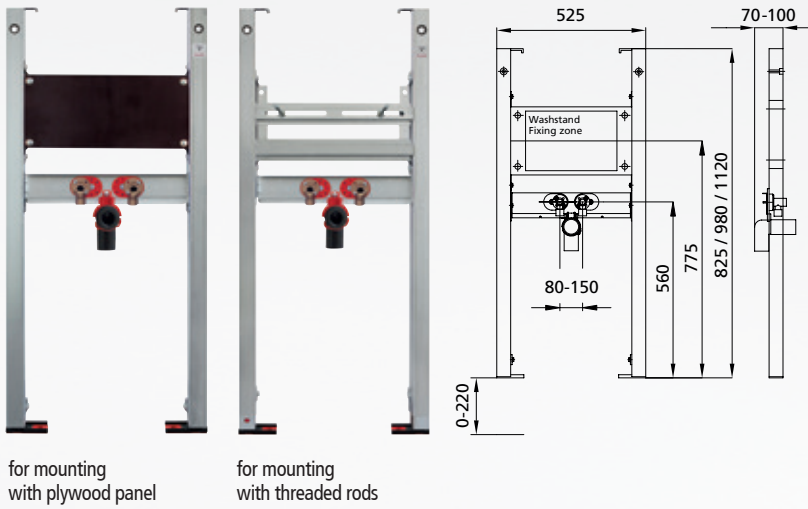
Geberit cistern Sigma with 2-quantity flush	211057.00
Geberit cistern Delta with 2-quantity flush	211061.99
Burda cistern K770 with 2-quantity flush	211065.00

**Geberit Publica Installation height 1700 mm**

Geberit cistern Sigma with 2-quantity flush	211060.00
Geberit cistern Delta with 2-quantity flush	211062.99
Burda cistern K770 with 2-quantity flush	211066.00



**BS+ washstand element for standing fitting**



for mounting with plywood panel

for mounting with threaded rods

Design	Ref. no.	Design	Ref. no.
<b>Installation height 825-980 mm for standing fitting</b>		<b>Installation height 1120 mm for standing fitting</b>	
for fastening with plywood panel	212018.xx	for fastening with plywood panel	212005.xx
For fastening with threaded rods	212218.xx	For fastening with threaded rods	212205.xx

- Galvanised, self-supporting and sound-decoupled steel construction
- Mounting plate for variable washbasin installation
- Connection elbow PE-HD DN 50
- Rubber nipple 32 mm
- All mounting and assembly accessories
- Adjustable footrests up to max. 0-220 mm
- Fitting plate with 2 sound-decoupled, width-adjustable wall discs 1/2"

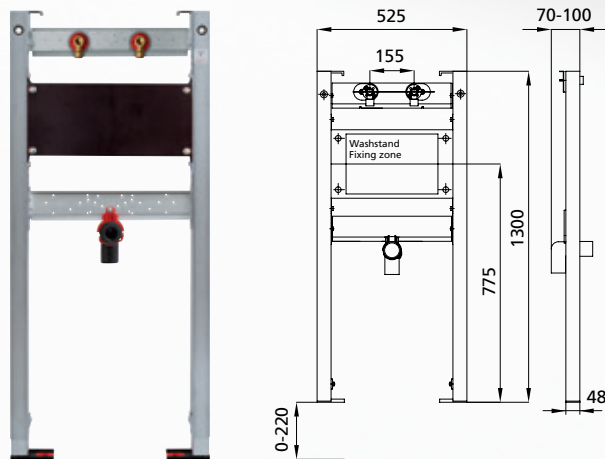
Dimensions: W / H / D 525 / 825, 980 oder 1120 / 70-100 mm (with waste pipe), WT mounting dimension max. 375 mm

**Accessories:**  
Sound-decoupled wall brackets for pre-wall installation, page 47

**Note:**  
Replace end number .xx with .00 for standard connection 1/2" x 1/2" .99 without connection



**BS+ washstand element for wall fitting**



Design Ref. no.

**Installation height 1300 mm for wall fitting** 212029.xx

- Galvanised, self-supporting and sound-decoupled steel construction
- Mounting plate for variable washbasin installation
- Connection elbow PE-HD DN 50
- Rubber nipple 32 mm
- All mounting and assembly accessories
- Adjustable footrests up to max. 0-220 mm
- Fitting plate with 2 sound-decoupled, width-adjustable wall discs 1/2"

Dimensions: W / H / D 525 / 1120 / 70-100 mm (with waste pipe) WT mounting dimension max. 375 mm

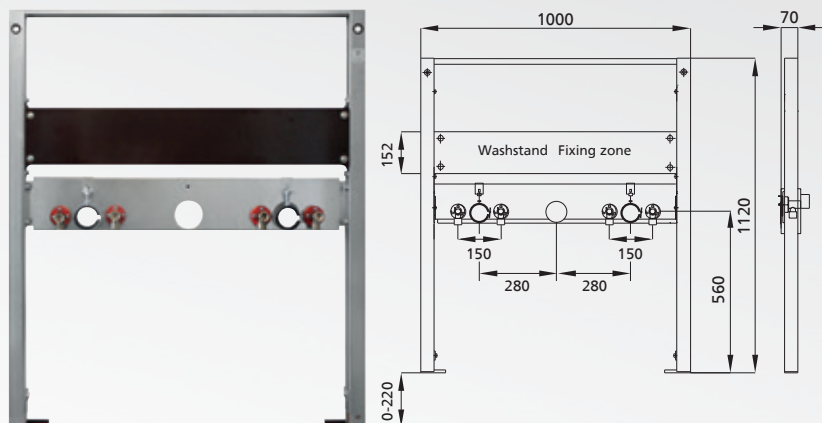
**Accessories:**  
Sound-decoupled wall brackets for pre-wall installation, page 47

**Note:**  
Replace end number .xx with .00 for standard connection 1/2" x 1/2" .99 without connection





## BS+ in-line washstand element, 112 cm, for standing fitting



Example 212041.00

Design	Ref. no.	Design	Ref. no.
<b>Universal Duo washstand</b>		<b>Universal Duo washstand</b>	
2 x stand fittings, 1 x centre drain	212040.00	2 x stand fittings, 2 x drain	212041.00

- Galvanised, self-supporting and sound-decoupled steel construction
- Mounting plate for variable washbasin installation
- Connection elbow PE-HD DN 50
- Rubber nipple 32 mm
- All mounting and assembly accessories
- Adjustable footrests up to max. 0-220 mm
- Fitting plate with 2 sound-decoupled, width-adjustable wall discs 1/2"

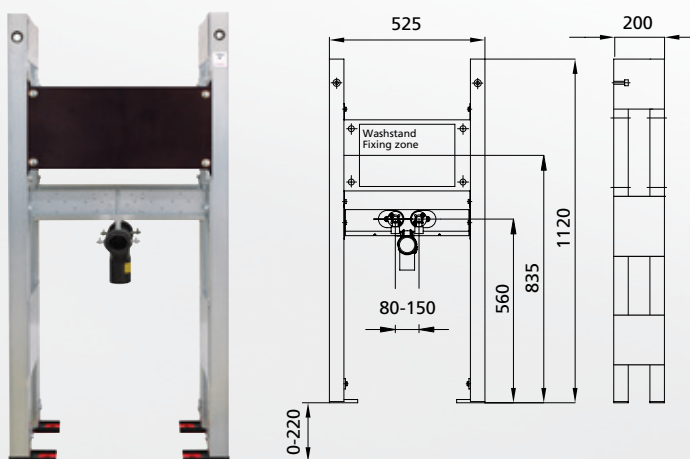
Dimensions: W / H / D 1000 / 1120 / 70 mm (with waste pipe)  
On request also 825 or 980 mm height

**Accessories:**  
Sound-decoupled wall brackets for pre-wall installation, page 47

**Note:**  
Please submit a drawing of the washbasin used with the order.



## BS+ double washstand element



Design	Ref. no.
<b>Installation height 1120 mm for wall fitting</b>	212221.xx

- Galvanised, self-supporting and sound-decoupled steel construction
- Mounting plate for variable washbasin installation
- HDPE breeches branch DN 50
- All mounting and assembly accessories
- Adjustable footrests up to max. 0-220 mm
- Fitting plate with 2 sound-decoupled, width-adjustable wall discs 1/2"

Dimensions: W / H / D 525 / 825, 980 or 1120 / 200 mm (with waste pipe)  
WT mounting dimension max. 375 mm

**Accessories:**  
Sound-decoupled wall brackets for pre-wall installation, page 47

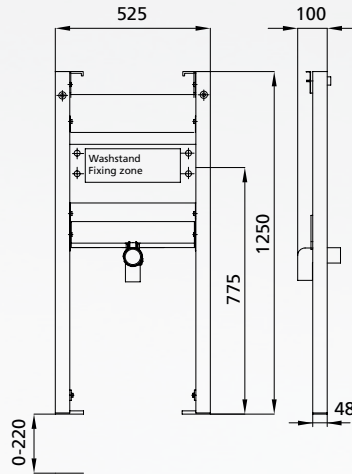
**Note:**  
Replace end number .xx with .00 for standard connection 1/2" x 1/2"  
.99 without connection



**BS+ washstand element for concealed fitting**



Depth-adjustable tap plate



Design \_\_\_\_\_ Ref. no. \_\_\_\_\_

**Installation height 1250 mm for concealed fitting**  
212030.99

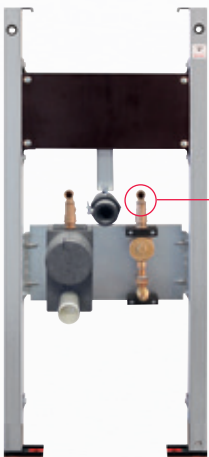
- Galvanised, self-supporting and sound-decoupled steel construction
- Mounting plate for variable washbasin installation
- Connection elbow PE-HD DN 50
- Rubber nipple 32 mm
- All mounting and assembly accessories
- Adjustable footrests up to max. 0-220 mm

Dimensions: W / H / D 525 / 1250 / 100 mm (with waste pipe), WT mounting dimension max. 375 mm

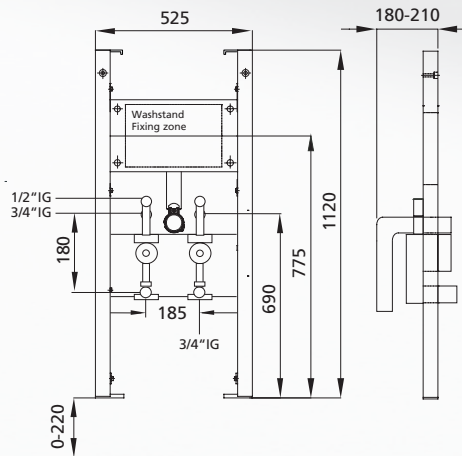
**Accessories:**  
Sound-decoupled wall brackets for pre-wall installation, page 47



**BS+ washstand element for water meter and concealed shut-off valve**



1/2" IG front



Design \_\_\_\_\_ Ref. no. \_\_\_\_\_

**Installation height 1120 mm for free-standing fitting**  
for 2 water meters 212028.00

- Galvanised, self-supporting and sound-decoupled steel construction
- Mounting plate for variable washbasin installation
- Connection elbow PE-HD DN 50
- Rubber nipple 32 mm
- All mounting and assembly accessories
- Adjustable footrests up to max. 0-220 mm
- Fitting plate
- 2 concealed fitting combinations, gunmetal water meter shut-off valves, incl. insulation, which also serves as a plastering aid, Gunmetal in accordance with DIN-EN 1982 and DIN 50930 Part 6, sealing elements made of EPDM (KTW, W270 tested), consisting of: Concealed single-pipe connection piece for MTK / MTW-NG (2" EAS) incl. dummy cover and gasket set; UP piston valve, free of dead space and low pressure loss, DIN-DVGW tested with sound insulation in accordance with DIN 4109 (fitting group 1) 2 sound-insulated brackets; 2-part polystyrene insulation Building material class B1, permissible operating overpressure PB: 10 bar Permissible operating temperature TB: 90 °C, flow medium: drinking water

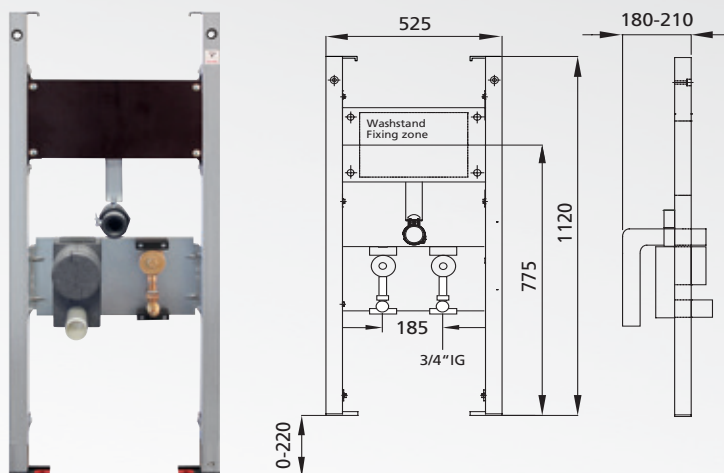
Dimensions: W / H / D 525 / 1120 / 180-210 mm (with waste pipe), WT mounting dimension max. 375 mm

**Accessories:**  
Sound-decoupled wall brackets for pre-wall installation, page 47

**Optional:**  
Pre-assembled shut-off valve set of 2 pieces  
Item no. 960056



## BS+ washstand element for water meter and concealed shut-off valve



Design \_\_\_\_\_ Ref. no. \_\_\_\_\_

**Installation height 1120 mm  
for free-standing fitting**

for 2 water meters  
without connections 212028.99

- Galvanised, self-supporting and sound-decoupled steel construction
- Mounting plate for variable washbasin installation
- Connection elbow PE-HD DN 50
- Rubber nipple 32 mm
- All mounting and assembly accessories
- Adjustable footrests up to max. 0-220 mm
- Fitting plate
- Upper part for the barrier, chrome
- 2 concealed fitting combinations, gunmetal water meter shut-off valves, incl. insulation, which also serves as a plastering aid, Gunmetal in accordance with DIN-EN 1982 and DIN 50930 Part 6, sealing elements made of EPDM (KTW, W270 tested), consisting of: Concealed single-pipe connection piece for MTK / MTW-NG (2" EAS) incl. dummy cover and gasket set; UP piston valve, free of dead space and low pressure loss, DIN-DVGW tested with sound insulation in accordance with DIN 4109 (fitting group 1) 2 sound-insulated brackets; 2-part polystyrene insulation Building material class B1, permissible operating overpressure PB: 10 bar Permissible operating temperature TB: 90 °C, flow medium: drinking water

Dimensions: W / H / D 525 / 1120 / 180-210 mm (with waste pipe),  
WT mounting dimension max. 375 mm

### Accessories:

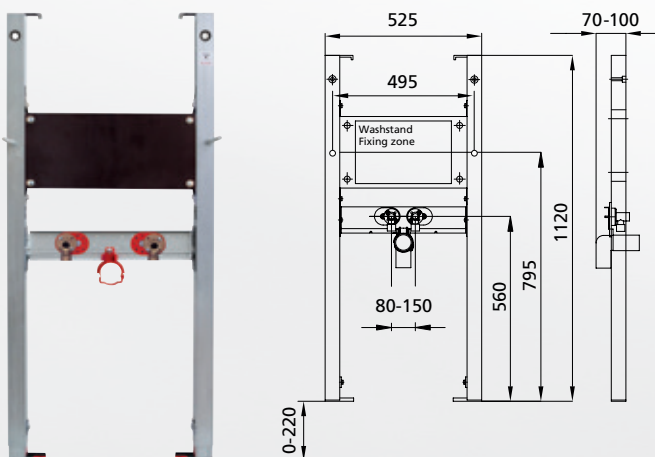
Sound-decoupled wall brackets for pre-wall installation, page 47

### Optional:

Pre-assembled shut-off valve set of 2 pieces  
Item no. 960056



## BS+ washstand element for free-standing fitting for washstand Duravit Scola #68460, #68560



Design \_\_\_\_\_ Ref. no. \_\_\_\_\_

**Installation height 1120 mm  
for free-standing fitting**

212007.xx

- Galvanised, self-supporting and sound-decoupled steel construction
- Mounting plate for variable washbasin installation
- Connection elbow PE-HD DN 50
- Rubber nipple 32 mm
- All mounting and assembly accessories
- Adjustable footrests up to max. 0-220 mm
- Fitting plate with 2 sound-decoupled, width-adjustable wall discs 1/2"
- Fixing bolt, distance 495 mm

Dimensions: W / H / D 525 / 1120 / 70-100 mm (with waste pipe),  
Surcharge for other connection types on request

### Accessories:

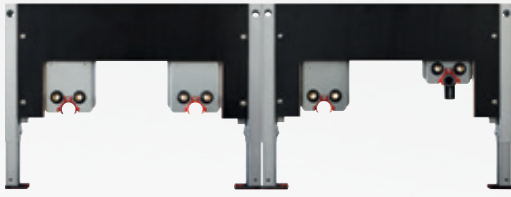
Sound-decoupled wall brackets for pre-wall installation, page 47

### Note:

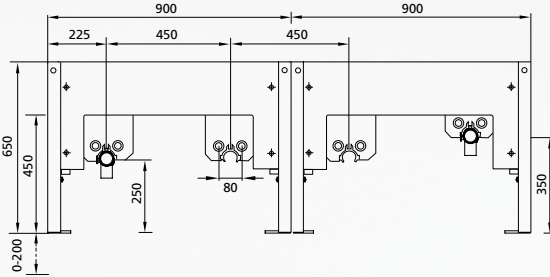
Replace end number .xx with .00 for standard connection 1/2" x 1/2"  
.99 without connection



**BS+ washstand element for Geberit Bambini washbasins** (new from April 2024)



Example 212048.00



- Galvanised, self-supporting and sound-decoupled steel construction
- Mounting plate for variable washbasin installation
- Connection elbow PE-HD DN 50
- Rubber nipple 32 mm
- All mounting and assembly accessories
- Adjustable footrests up to max. 0-220 mm

**Accessories:**

Sound-decoupled wall brackets for pre-wall installation, page 47

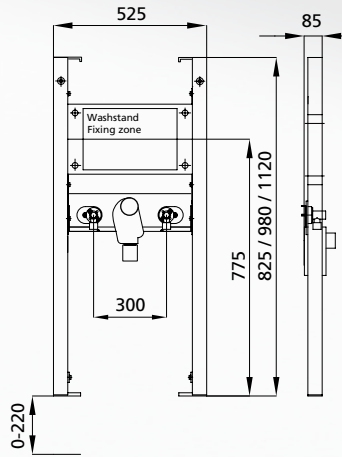
Design	Ref. no.	Design	Ref. no.
2 washbasins, deeper basin on the left	212044.00	2 washbasins, deeper basin on the right	212045.00
3 washbasins, deeper basin on the left	212046.00	3 washbasins, deeper basin on the right	212047.00
4 washbasins, deeper basin on the left	212048.00	4 washbasins, deeper basin on the right	212049.00



**BS+ washstand element for free-standing fitting**  
Barrier-free design with trap



Example, Haas OHA 3500 trap



- Galvanised, self-supporting and sound-decoupled steel construction
- Mounting plate for variable washbasin installation
- Built-in flush-mounted trap
- Connection elbow and cover chrome
- All fastening and mounting accessories for elements and washbasin
- Adjustable footrests up to max. 0-220 mm
- Fitting plate with 2 sound-decoupled, width-adjustable wall discs 1/2"

Dimensions: W / H / D 525 / 825, 980 oder 1120 / 85 mm, (with waste pipe), WT mounting dimension max. 375 mm

**Accessories:**

Sound-decoupled wall brackets for pre-wall installation, page 47

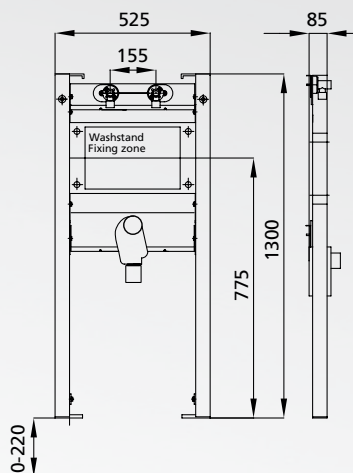
**Note:**

Replace end number .xx with .00 for standard connection 1/2" x 1/2" .99 without connection

Design	Ref. no.	Design	Ref. no.
<b>Installation height 825 - 980 mm for free-standing fitting</b>		<b>Installation height 1120 mm for free-standing fitting</b>	
Haas OHA 3500 trap	212139.xx	Haas OHA 3500 trap	212136.xx
Geberit trap	212339.xx	Geberit trap	212336.xx



## BS+ washstand element for wall fitting Barrier-free design with trap



- Galvanised, self-supporting and sound-decoupled steel construction
- Mounting plate for variable washbasin installation
- Built-in flush-mounted trap
- Connection elbow and cover chrome
- All fastening and mounting accessories
- Adjustable footrests up to max. 0-220 mm
- Fitting plate with 2 sound-decoupled, width-adjustable wall discs 1/2"

Dimensions: W / H / D 525 / 1120 / 85 mm (with waste pipe),  
WT mounting dimension max. 375 mm

### Accessories:

Sound-decoupled wall brackets for pre-wall installation, page 47

### Note:

Replace end number .xx with .00 for standard connection 1/2" x 1/2"  
.99 without connection

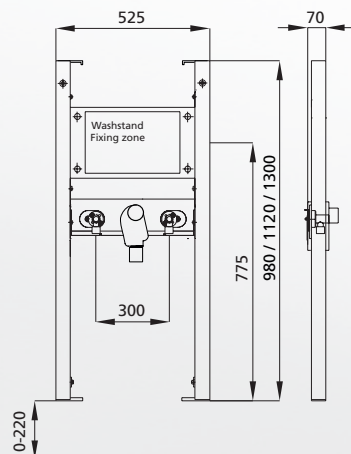
Design	Ref. no.
--------	----------

### Installation height 1300 mm for wall fitting

Haas OHA 3500 trap	212143.xx
Geberit trap	212343.xx



## BS+ washstand element for free-standing fitting Barrier-free design for Paracelsus/Vitalis



- Galvanised, self-supporting and sound-decoupled steel construction
- Mounting plate for variable washbasin installation
- built-in trap
- Connecting elbow and cover white and chrome standpipe
- All fastening and mounting accessories
- Adjustable footrests up to max. 0-220 mm
- Fitting plate with 2 sound-decoupled, width-adjustable wall discs 1/2"

Dimensions: W / H / D 525 / 980, 1120 oder 1300 / 70 mm  
(with waste pipe), WT mounting dimension max. 375 mm

### Accessories:

Sound-decoupled wall brackets for pre-wall installation, page 47

### Note:

Replace end number .xx with .00 for standard connection 1/2" x 1/2"  
.99 without connection

Design	Ref. no.
--------	----------

### Installation height 980 mm for free-standing fitting

Haas OHA 3500 trap	213142.xx
--------------------	-----------

### Installation height 1120 mm for free-standing fitting

Haas OHA 3500 trap	213138.xx
--------------------	-----------

Geberit trap	213338.xx
--------------	-----------

Design	Ref. no.
--------	----------

### Installation height 1300 mm for free-standing fitting

Haas OHA 3500 trap	213140.xx
--------------------	-----------

Geberit trap	213340.xx
--------------	-----------

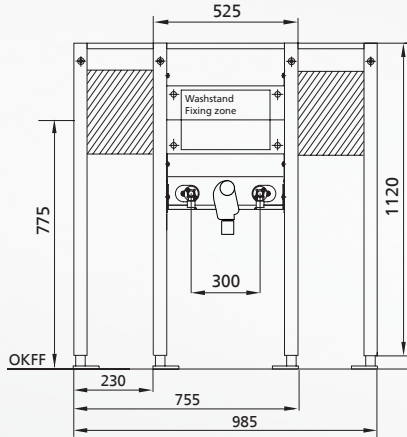




**BS+ washstand element for free-standing fitting,**  
Barrier-free design with concealed trap,  
incl. mounting plates for folding support handles right + left



Example Connection elbow  
PE-HD DN 50, Haas OHA 3500



Design \_\_\_\_\_ Ref. no. \_\_\_\_\_

**Installation height 1120 mm**  
**right + left**  
**for free-standing fitting**

Haas OHA 3500 trap	212616.xx
Geberit trap	212636.xx

- Galvanised, self-supporting and sound-decoupled steel construction
- Mounting plate for variable washbasin installation
- Built-in flush-mounted trap
- Connection elbow and cover chrome
- All fastening and mounting accessories for elements and washbasin
- Adjustable footrests up to max. 0-220 mm
- Fitting plate with 2 sound-decoupled, width-adjustable wall discs 1/2"
- Mounting plate left and right

Dimensions: W / H / D 985 / 1120 / 85 mm (with waste pipe), for 2 handles  
WT mounting dimension max. 375 mm

**Accessories:**

Sound-decoupled wall brackets for pre-wall installation, page 47

**Note:**

Replace end number .xx with .00 for standard connection 1/2" x 1/2"  
.99 without connection



**BS+ washstand element for free-standing fitting,**  
Barrier-free design with concealed trap,  
incl. mounting plates for folding support handles right or left



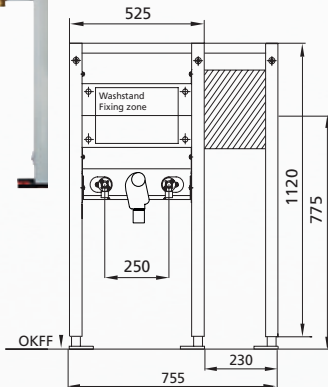
with fastening on the right



with fastening on the left



Example Connection elbow  
PE-HD DN 50,  
Haas OHA 3500



Design \_\_\_\_\_ Ref. no. \_\_\_\_\_

**Installation height 1120 mm**  
**right for free-standing fitting**

Haas OHA 3500 trap	212676.xx
Geberit trap	212696.xx

**left for free-standing fitting**

Haas OHA 3500 trap	212160.xx
Geberit trap	212360.xx

- Galvanised, self-supporting and sound-decoupled steel construction
- Mounting plate for variable washbasin installation
- Built-in flush-mounted trap
- Connection elbow and cover chrome
- All fastening and mounting accessories for elements and washbasin
- Adjustable footrests up to max. 0-220 mm
- Fitting plate with 2 sound-decoupled, width-adjustable wall discs 1/2"
- Mounting plate left or right

Dimensions: W / H / D 755 / 1120 / 85 mm (with waste pipe), for 1 handle  
WT mounting dimension max. 375 mm

**Accessories:**

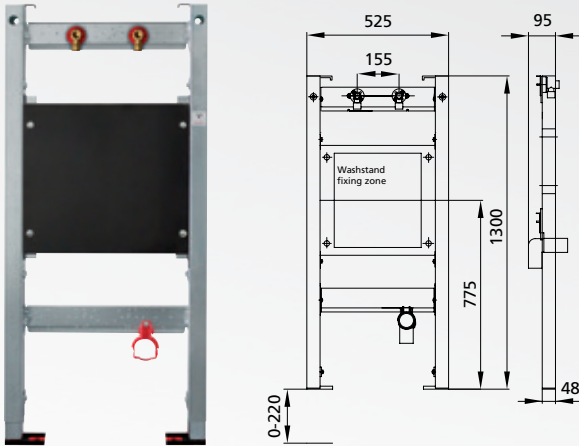
Sound-decoupled wall brackets for pre-wall installation, page 47

**Note:**

Replace end number .xx with .00 for standard connection 1/2" x 1/2"  
.99 without connection



## BS+ sink element for wall fitting



Design \_\_\_\_\_ Ref. no. \_\_\_\_\_

Installation height 1300 mm for wall fitting 212012.xx

- Galvanised, self-supporting and sound-decoupled steel construction
- Mounting plate for variable sink installation
- Connection elbow PE-HD DN 50
- All fastening and mounting accessories
- Adjustable footrests up to max. 0-220 mm
- Fitting plate with 2 sound-decoupled, width-adjustable wall discs 1/2"

Dimensions: W / H / D 525 / 1120 / 95 mm (with waste pipe),  
WT mounting dimension max. 375 mm

### Accessories:

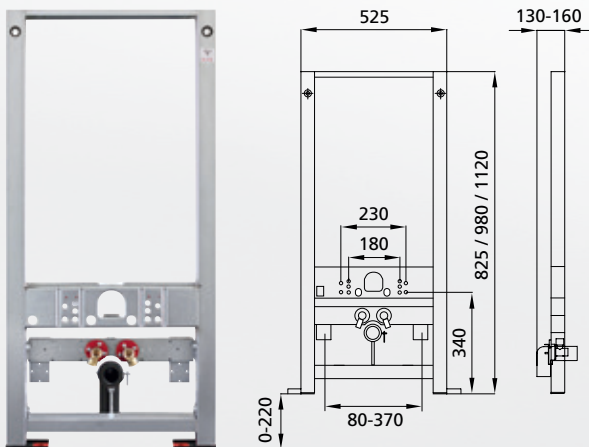
Sound-decoupled wall brackets for pre-wall installation, page 47

### Note:

Replace end number .xx with .00 for standard connection 1/2" x 1/2"  
.99 without connection



## BS+ wall-mounted bidet element



Design \_\_\_\_\_ Ref. no. \_\_\_\_\_

Installation height 825 mm 233002.xx

Installation height 980 mm 223002.xx

Installation height 1120 mm 213002.xx

- Galvanised, self-supporting and sound-decoupled steel construction
- Variable bidet ceramic fittings
- Connection elbow PE-HD DN 50
- Rubber nipple 32 mm
- All fastening and mounting accessories
- Adjustable footrests up to max. 0-220 mm
- 2 sound-decoupled, width-adjustable wall discs 1/2"

Dimensions: W / H / D 525 / 825, 980 oder 1120 / 130-160 mm  
(with waste pipe), suitable for bidets, see fitting list (enclosed in the box)

### Accessories:

Sound-decoupled wall brackets for pre-wall installation, page 47

### Note:

Replace end number .xx with .00 for standard connection 1/2" x 1/2"  
.99 without connection

### Note:

With some ceramics, it may be necessary to mount the supplied clamp in the crossbar from below rather than from above, so that the abutment (absorbs the force of the ceramic) as close as possible to the back of the ceramic.

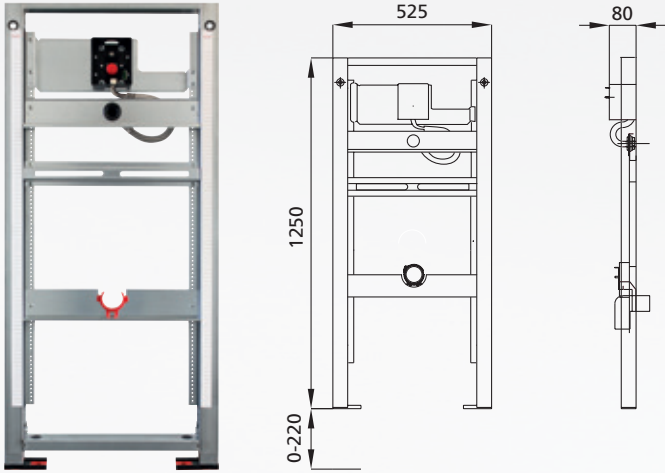
In some assembly cases, it may also be necessary the threaded rod must be shortened accordingly.

These points should be clarified beforehand by looking at the ceramic.

As the manufacturer, we do not accept any liability for incorrect installation!



**BS+ urinal element with concealed flush valve or shell set and empty element**



- Galvanised, self-supporting and sound-decoupled steel construction
- Mounting plate for variable urinal installation
- Adjustable, sound-decoupled water inlet traverse
- Adjustable drain crossbar
- swivelling drain elbow DN 50
- Pre-assembled flush-mounted flush valve or pipework set
- Construction protection for inspection opening
- All fastening and mounting accessories
- Adjustable footrests up to max. 0-220 mm
- Connection 1/2"
- Urinal trap (#255101, 255102, 255103 und 255104 ohne),
- Urinal connection set (#255101, 255102, 255103 und 255104 ohne),

Dimensions: W / H / D 525 / 1120-1250 / 80 mm

**Accessories:**

Sound-decoupled wall brackets for pre-wall installation, page 47

**Note:**

Suitable for urinals, see fitting list (enclosed in the box).

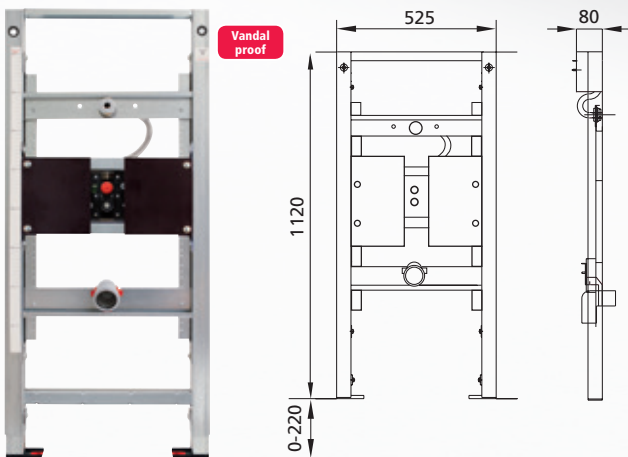
Design	Ref. no.	Design	Ref. no.
--------	----------	--------	----------

**Installation height 1250 mm**

Burda flush valve U-05/06	214029	Blank element Universal for surface-mounted flush valves/ waterless urinals	214556
Burda flush valve U-05/06 for spray head	214030		



**BS+ urinal element with flush-mounted shell set Flowtronik**



- Galvanised, self-supporting and sound-decoupled steel construction
- Mounting plate for variable urinal installation
- Adjustable, sound-decoupled water inlet traverse
- Adjustable drain crossbar
- Pre-assembled shell set with 230 V connection
- Valve block with water shut-off
- Functions: Standard and stadium operation, forced flushing
- Construction protection for inspection opening
- All fastening and mounting accessories
- Adjustable footrests up to max. 0-220 mm
- Connection 1/2"
- Urinal connection set

Dimensions: W / H / D 525 / 1120 / 80 mm

**Accessories:**

Sound-decoupled wall brackets for pre-wall installation, page 47

**Note:**

Suitable for urinals with horizontal outlet to the rear (vertical outlet on request), see fitting list (enclosed in the box).

Not suitable for urinals with moulded-in trap, e.g. V&B Omnia Pro #7502 00, #7503 00, #7504 00 etc.

Design	Ref. no.
--------	----------

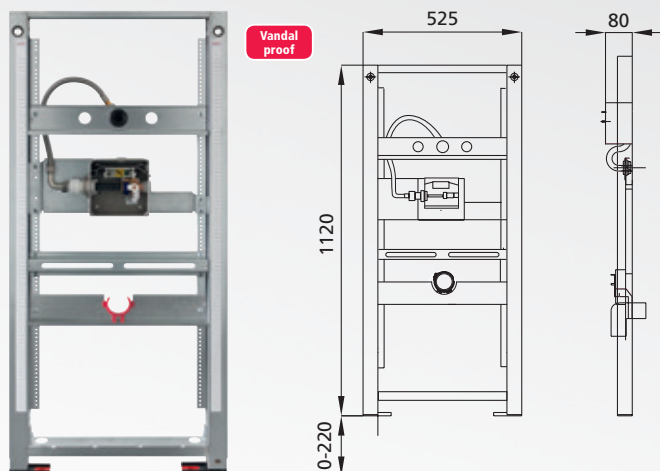
**Installation height 1120 mm**

Burda shell set Flowtronik	214800
Burda shell set Flowtronik for spray head	214801





## BS+ urinal-element with flush-mounted shell set Geberit VS



- Galvanised, self-supporting and sound-decoupled steel construction
- Mounting plate for variable urinal installation
- Adjustable, sound-decoupled water inlet traverse
- Adjustable drain crossbar
- Pre-assembled shell set with 230 V connection
- Valve block with water shut-off
- Functions: Standard and stadium operation, forced flushing
- Construction protection for inspection opening
- All fastening and mounting accessories
- Adjustable footrests up to max. 0-220 mm
- Connection 1/2"
- Urinal connection set

Dimensions: W / H / D 525 / 1120 / 80 mm

### Accessories:

Urinal flushing systems from page 78

Sound-decoupled wall brackets for pre-wall installation, page 47

### Note:

Suitable for urinals with horizontal outlet to the rear (vertical outlet on request), see fitting list (enclosed in the box).

Not suitable for urinals with moulded-in trap, e.g. V&B Omnia Pro #7502 00, #7503 00, #7504 00 etc.

Design	Ref. no.
--------	----------

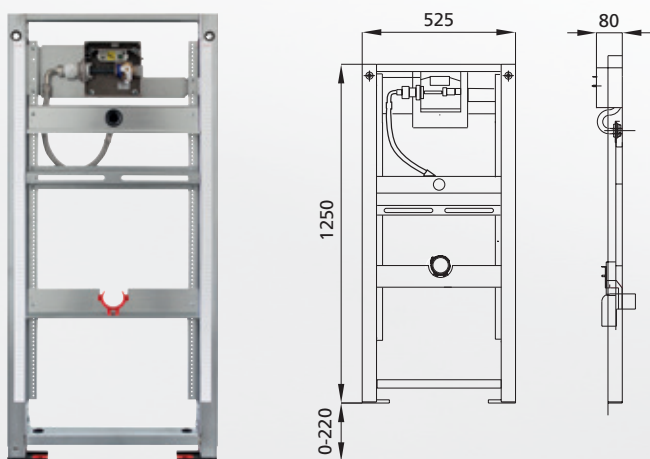
### Installation height 1120 mm

Geberit shell set Universal for VS	214718
------------------------------------	--------

Geberit shell set Universal for VS for spray head	214720
---	--------



## BS+ urinal element with flush-mounted shell set or electronics



- Galvanised, self-supporting and sound-decoupled steel construction
- Mounting plate for variable urinal installation
- Adjustable, sound-decoupled water inlet traverse
- Adjustable drain crossbar
- Pre-assembled shell set
- Construction protection for inspection opening
- All fastening and mounting accessories
- Adjustable footrests up to max. 0-220 mm
- Connection 1/2"
- Urinal trap
- Urinal connection set

Dimensions: W / H / D 525 / 1120 - 1250 / 80 mm

### Accessories:

Urinal flushing systems from page 78

Sound-decoupled wall brackets for pre-wall installation, page 47

### Note:

Suitable for urinals, see passport list (enclosed in the box).

Design	Ref. no.	Design	Ref. no.
--------	----------	--------	----------

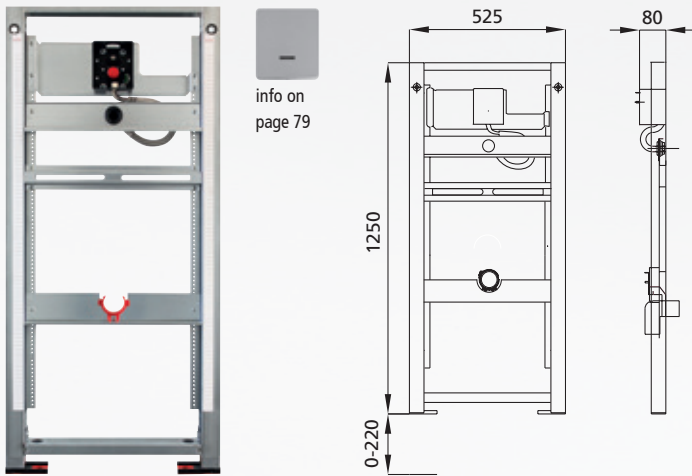
### Installation height 1250 mm

Geberit shell set universal for HyTronic and HyTouch	214712	for Geberit Flushcontrol	214856
--	--------	--------------------------	--------

Geberit shell set universal for HyTronic and HyTouch for spray head	214714	for Duravit Utronic	214506
---	--------	---------------------	--------



BS+ urinal-element with flush-mounted shell set or electronics



- Galvanised, self-supporting and sound-decoupled steel construction
- Mounting plate for variable urinal installation
- Adjustable, sound-decoupled water inlet traverse
- Adjustable drain crossbar
- Pre-assembled shell set
- Construction protection for inspection opening
- All fastening and mounting accessories
- Adjustable footrests up to max. 0-220 mm
- Connection 1/2"
- Urinal trap
- Urinal connection set

Dimensions: W / H / D 525 / 1250 / 80 mm

**Accessories:**

Urinal flushing systems from page 78  
Sound-decoupled wall brackets for pre-wall installation, page 47

**Note:**

Suitable for urinals, see passport list (enclosed in the box).

Design	Ref. no.	Design	Ref. no.
--------	----------	--------	----------

**Installation height 1250 mm**

with Burda shell set for infrared electronics, for BurdaTronic U-09

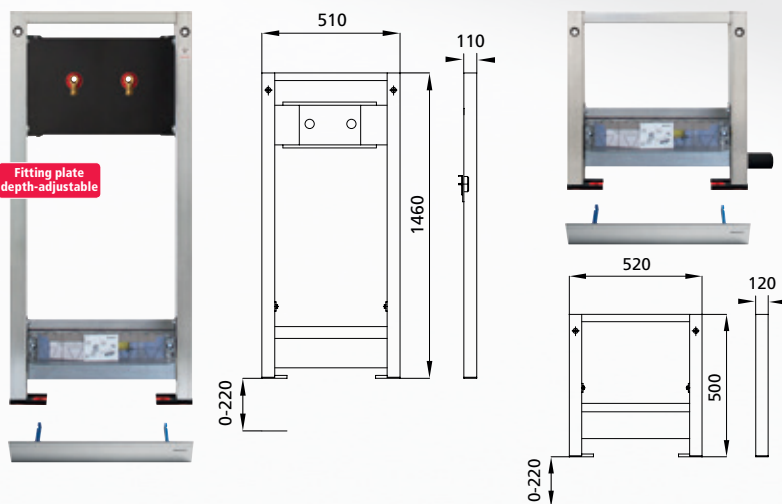
214989

Mit Burda shell set for infrared electronics, for BurdaTronic U-09 for spray head

214889



BS+ shower element with pre-mounted Geberit drain



For installation in a stud wall in accordance with DIN 18183 or in conjunction with accessory set art. no. 240012 as a single element in a pre-wall installation.

- Galvanised, self-supporting and sound-decoupled steel construction
- All fastening and mounting accessories
- Adjustable footrests up to max. 0-220 mm
- 2 sound-decoupled, width-adjustable wall discs 1/2" or fastenings for standard flush-mounted fittings
- Pre-assembled Geberit shower drain for draining floor-level showers, cover, plastic chrome

Dimensions: W / H / D 525 / 1460 / 80 mm,  
Dimensions: W / H / D 525 / 500 / 80 mm

**Accessories:**

Sound-decoupled wall brackets for pre-wall installation, page 47

Prefabricated set for Geberit wall drain,



- Removable for cleaning
- With cover and allen key

Design	Ref. no.	Design	Ref. no.
--------	----------	--------	----------

Drain DN40 for screed height at inlet 65-90 mm  
Installation height 1460 mm

for surface-mounted fittings 230120.00

for flush-mounted fittings 218010

Installation height 500 mm 230125

Drain DN50 for screed height at inlet 90-200 mm  
Installation height 1460 mm

for surface-mounted fittings 230121.00

for flush-mounted fittings 218011

Installation height 500 mm 230126

Design	Ref. no.
--------	----------

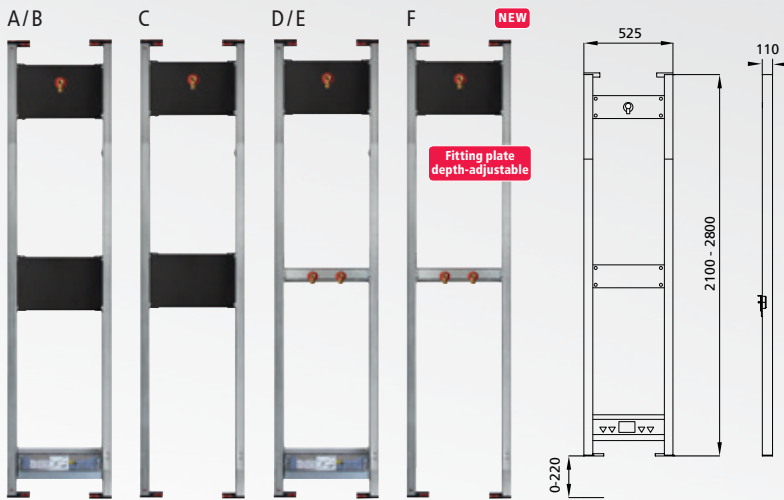
brushed stainless steel 230040

brushed stainless steel (for screwing) 230041

polished stainless steel 230042



BS+ shower element for showerhead



For installation in a stud wall in accordance with DIN 18183 or in a pre-wall installation.

- Galvanised, self-supporting and sound-decoupled steel construction
- All fastening and mounting accessories
- Adjustable footrests up to max. 0-220 mm
- 2 sound-decoupled, width-adjustable wall discs 1/2" or fastenings for standard flush-mounted fittings
- Crossbar for shower head
- Pre-assembled Geberit shower drain SH 30, sealing water height 30 mm, Drain DN40, for draining floor-level showers, cover Chrome plastic

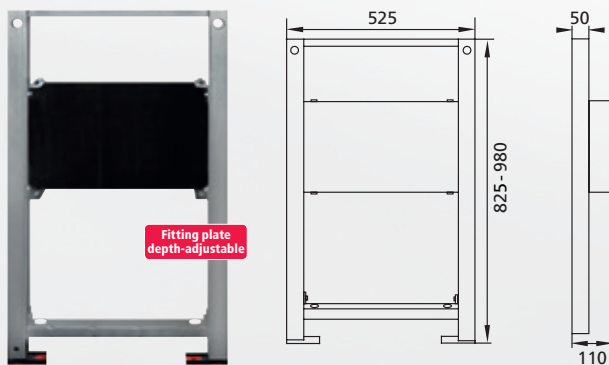
Taverses are height and depth adjustable 40-110mm  
Dimensions: W / H / D 525 / 2100 - 2800 / 110 mm

Accessories:  
Sound-decoupled wall brackets for pre-wall installation, page 47

Design	Ref. no.	Design	Ref. no.
<b>A:</b> for concealed fittings and Geberit wall drain Drain <b>DN40</b> for screed height at the inlet 65-90 mm	235300	<b>D:</b> for surface-mounted fittings and Geberit wall drain Drain <b>DN40</b> for screed height at the inlet 65-90 mm	235350.00
<b>B:</b> for concealed fittings and Geberit wall drain Drain <b>DN50</b> for screed height at the inlet 90-200 mm	235301	<b>E:</b> for surface-mounted fittings and Geberit wall drain Drain <b>DN50</b> for screed height at the inlet 90-200 mm	235351.00
<b>C:</b> for concealed fittings	235200	<b>D:</b> for surface-mounted fittings	235250.00



BS+ bathtub element



- Galvanised, self-supporting and sound-decoupled steel construction
- All fastening and mounting accessories
- Adjustable footrests up to max. 0-220 mm
- 2 sound-decoupled, width-adjustable wall discs 1/2" or fastenings for standard flush-mounted fittings

Taverses are height and depth adjustable 40-110mm  
Dimensions: W / H / D 525 / 825-980 / 110 mm

Installation Height 1120 mm also possible on request!

Design	Ref. no.
bathtub element	235400



**BS+ element for built-in wardrobe for the installation of instantaneous water heaters**



- Galvanised, self-supporting and sound-decoupled steel construction
  - All fastening and mounting accessories
  - Adjustable footrests up to max. 0-220 mm
- for mounting cuccoo built-in furniture**

**Element for built-in cabinet for instantaneous water heater**

- Wall bushings 1/2"
  - Cut-out for flush-mounted electrical box
- Dimensions: W / H 450 / 1120 mm

**Built-in cabinet for instantaneous water heater**

White silk matt lacquered front, door hinge right or left  
Dimensions: W 300 mm

All wardrobe elements suitable for Burda cuccoo furniture series

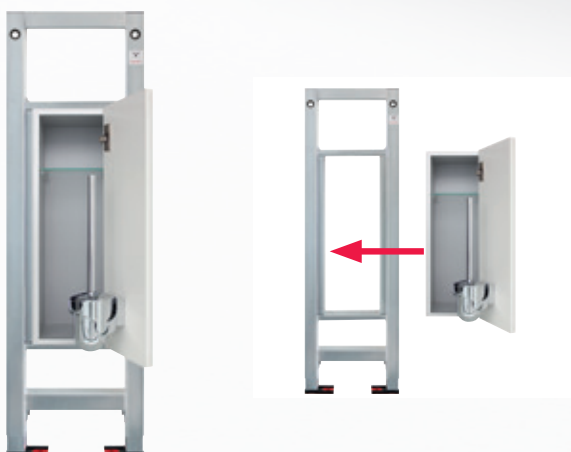
**Accessories:**

Sound-decoupled wall brackets for pre-wall installation, page 47



Design	Ref. no.
Element for instantaneous water heater cabinet	215010.00
Built-in wardrobe 30 cm	403160
Element for Toilet brush cabinet	215007.00

**BS+ element for built-in wardrobe with integrated toilet brush**



- Galvanised, self-supporting and sound-decoupled steel construction
  - All fastening and mounting accessories
  - Adjustable footrests up to max. 0-220 mm
- for mounting cuccoo built-in furniture**

**Element for built-in cabinet for toilet brush**

Dimensions: W / H 350 / 1120 mm

**Built-in cabinet with integrated toilet brush**

White silk matt lacquered front, incl. one glass shelf and brush holder with brush in chrome, door hinge right or left  
Dimensions: W 200 mm

All wardrobe elements suitable for Burda cuccoo furniture series

**Accessories:**

Sound-decoupled wall brackets for pre-wall installation, page 47

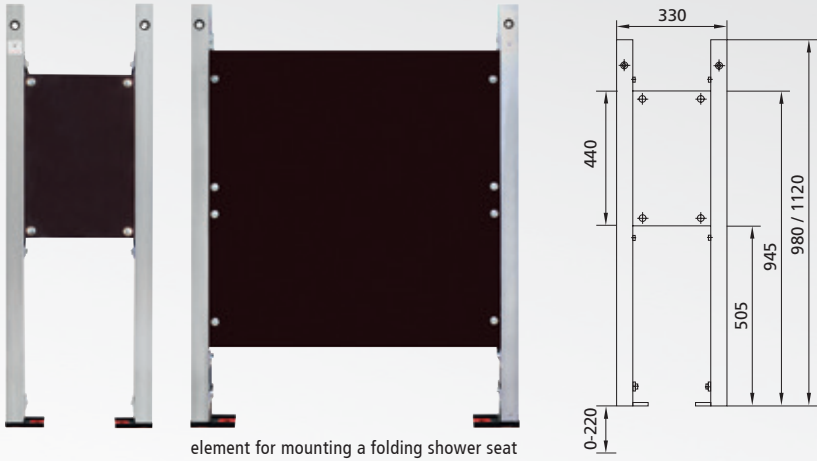


Design	Ref. no.
Built-in wardrobe 20 cm with integrated toilet brush	403055

Cabinet elements on request also in 60 cm width, 90 cm width and 120 cm height, 80 cm height available

**BS+ Fastening elements**

For mounting grab rails, support rails and folding handles or folding shower seats



element for mounting a folding shower seat

Design	Ref. no.	Design	Ref. no.
<b>Retaining element for support and folding handles</b>		<b>Retaining element for folding shower seat</b>	
Installation height 980 mm	241022	Installation height 1120 mm	242022
Installation height 1120 mm	240022		

**For holding, supporting and folding handles et cetera**  
For installation in a stud wall in accordance with DIN 18183 or in conjunction with accessory set art. no. 240 008 as a single element in a pre-wall installation.

- Galvanised, self-supporting and sound-decoupled steel construction
- Built-in mounting plate made of laminated wood (250 mm high, 30 mm thick) for individual fastening of heavy loads
- All fastening and mounting accessories
- Adjustable footrests up to max. 0-220 mm

Dimensions: W / H / D 330 / 980 or 1120 / 50 mm

**Element to accommodate a folding shower seat**  
For installation in a stud wall in accordance with DIN 18183 or in conjunction with accessory set art. no. 240 008 as a single element in a pre-wall installation.

- Galvanised, self-supporting and sound-decoupled steel construction
- Built-in mounting plate made of laminated wood (250 mm high, 30 mm thick) for individual fastening of heavy loads
- All fastening and mounting accessories
- Adjustable footrests up to max. 0-220 mm

Dimensions: W / H / D 850 / 1120 / 50 mm

**Accessories:**

Sound-decoupled wall brackets for pre-wall installation, page 47



**BS+ element for surface-mounted / concealed fittings**



Design	Ref. no.
<b>Installation height 1120 mm</b>	
A: for flush-mounted fittings	218008
B: for surface-mounted fittings	230108.xx
C: Wall fitting for showers and bathtub	230109

**For installation in a stud wall in accordance with DIN 18183 or in conjunction with accessory set art. no. 240 008 as a single element in a pre-wall installation.**

- Galvanised, self-supporting and sound-decoupled steel construction
- All fastening and mounting accessories
- Adjustable footrests up to max. 0-220 mm
- 2 sound-decoupled, width-adjustable wall discs 1/2" or fastenings for standard flush-mounted fittings

Dimensions: W / H 525 / 1120 mm

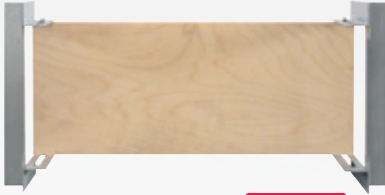
**Accessories:**

Sound-decoupled wall brackets for pre-wall installation, page 47

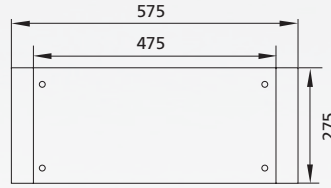




Universal traverse for surface-mounted / flush-mounted fittings  
ventilation, sanitary flushes and other built-in appliances



Armaturenplatte  
tiefenverstellbar



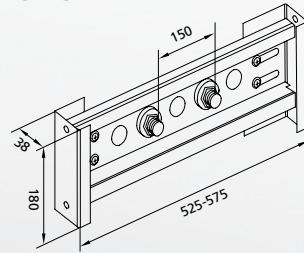
- Galvanised sheet metal construction
- Lateral fastening option on CW profiles of a stud wall
- All fastening and mounting accessories

Dimensions: W / H / D 575 / 275 / 50-150 mm

Design	Ref. no.
	215033



BS+ Universal traverse  
for surface-mounted taps / tap valve  
heavy duty / reinforced



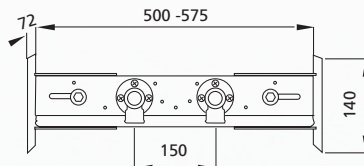
- Galvanised sheet metal construction
- Lateral fastening option on CW profiles of a stud wall
- All fastening and mounting accessories
- Sound-decoupled, width-adjustable 1/2" wall ducts

Dimensions: W / H / D 525-575 / 180 / 38 mm

Design	Ref. no.
A: with 2 wall ducts	215006.00
B: with 1 wall duct	216210.00



BS+ universal traverse  
for surface-mounted taps / tap valve



- Galvanised sheet metal construction
- Lateral fastening option on CW profiles of a stud wall
- All fastening and mounting accessories
- Sound-decoupled wall discs 1/2"

Dimensions: W / H / D 500-575 / 140 / 72 mm

Design	Ref. no.
A: with 2 wall ducts	215005.00
B: with 1 wall duct	216209.00

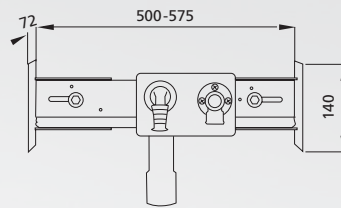




### BS+ traverse for washing machine



incl. device-connection valve



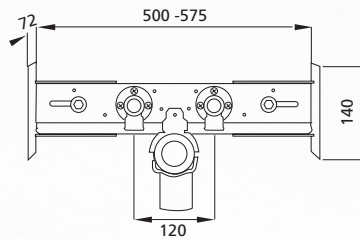
- Galvanised sheet metal construction
- Lateral fastening option on CW profiles of a stud wall
- All fastening and mounting accessories
- Washing machine trap and wall disc 1/2"

Dimensions: W / H / D 500-575 / 140 / 72 mm

Design	Ref. no.
with washing machine trap and 1/2" connection	216004



### BS+ Traverse for kitchen sink



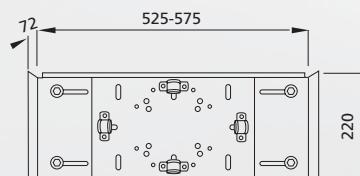
- Galvanised sheet metal construction
- Lateral fastening option on CW profiles of a stud wall
- All fastening and mounting accessories
- Two sound-decoupled wall discs 1/2"
- Drain elbow DN50

Dimensions: W / H / D 500-575 / 140 / 72 mm

Design	Ref. no.
with wall discs and drain elbow DN50	216100.00
with drain elbow DN50	215013



### BS+ traverse for flush-mounted fittings / flush-mounted valves



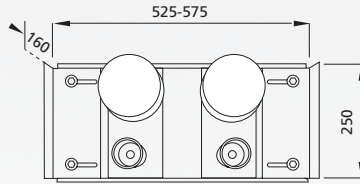
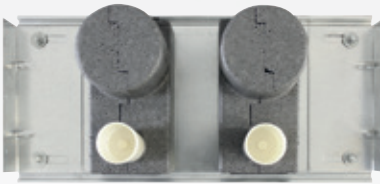
- Galvanised sheet metal construction
- Lateral fastening option on CW profiles of a stud wall
- All fastening and mounting accessories

Dimensions: W / H / D 525-575 / 220 / 72 mm

Design	Ref. no.
with 4 sound-decoupled pipe clamps to hold the concealed valves	216003



**BS+ traverse for water meter**



- Galvanised sheet metal construction
- Lateral fastening option on CW profiles of a stud wall
- All fastening and mounting accessories
- 2 flush-mounted single-pipe connection piece for MTK / MTW-NG (2" EAS KOAX) incl. dummy cover and gasket set
- 2 Concealed piston valve, free of dead space and low pressure loss (DIN DVGW tested with sound insulation to DIN 4109 (fitting group 1))
- 4 sound-insulated brackets
- 2 two-part polystyrene insulations - building material class B1 (permissible operating overpressure PB: 10 bar, permissible operating temperature TB: 90°C, flow medium: drinking water)

Dimensions: W / H / D 525-575 / 250 / 160 mm

Design	Ref. no.
	215015



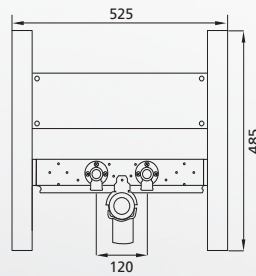
**BS+ Washbasin traverse for floor-standing tap**



version A



version B



**For installation in a stud wall in accordance with DIN 18183.**

- Galvanised sheet metal construction
- Mounting plate for variable washbasin installation
- Connection elbow PE-HD DN 50
- Rubber nipple 32 mm
- All mounting and installation accessories
- Fitting plate to hold the wall discs
- 2 sound-decoupled connection mountings
- Wall discs 1/2"

Version A Dimensions: W / H / D 525 / 485 / 70 mm  
Version B Dimensions: W / H / D 525 / 485 / 50 mm

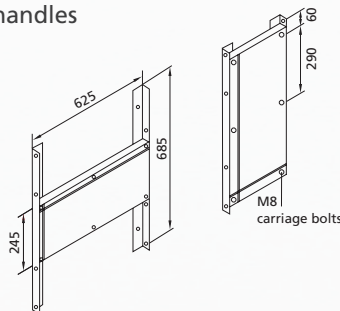
**Note:**

Replace end number .xx with .00 for standard connection 1/2" x 1/2" .99 without connection

Design	Ref. no.	Design	Ref. no.
<b>Version A</b> with mounting plate made of plywood	230300.xx	<b>Version B</b> with fastening via threaded rods	230301.xx



**BS+ universal mounting plate**  
For holding, supporting and folding handles



**For holding mirrors, shelves, grab rails, support and folding handles et cetera**

**For installation in a stud wall in accordance with DIN 18183.**

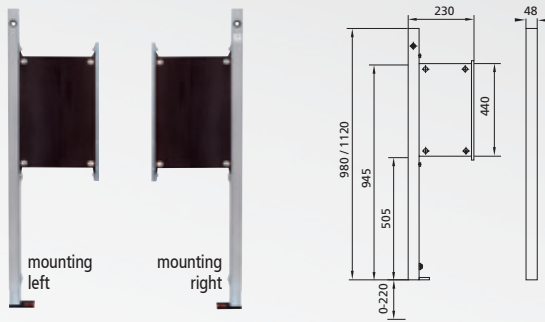
- Galvanised sheet metal construction
- built-in mounting plate made of plywood (245 mm high, 30 mm thick) for individual fastening of heavy loads
- All mounting and installation accessories

Dimensions: Plywood panel W / H / D 625 / 245 / 30 mm  
With fixing bracket W / H / D 625 / 685 / 30 mm

Design	Ref. no.
	240015



**BS+ right / left holding element with one foot for holding, supporting and folding handles**



Design	Ref. no.	Design	Ref. no.
<b>Installation height 980 mm</b> right	240043	<b>Installation height 1120 mm</b> right	240023
left	240044	left	240024

**Can be used for installation in a pre-wall.**

- Galvanised, self-supporting and sound-decoupled steel construction, with one profile, with built-in fastening plate made of laminated wood (250 mm high, 30 mm thick) for individual fastening of heavy loads
- All fastening and mounting accessories
- Adjustable footrests up to max. 0-220 mm

Dimensions: W / H / D 230 / 980 oder 1120 / 50 mm

**Accessories:**

Sound-decoupled wall brackets for pre-wall installation, page 47



**BS+ / Santro WC support brackets for WC ceramics with a small contact surface**



Design	Ref. no.
1 Paar	216400

**For additional support of WC ceramics**

Support surfaces smaller than 17 cm (e.g. Flaminia, Sentique)



**Side end element right / left**



Design	Ref. no.
<b>Installation height 825 mm</b> right/left	on request
<b>Installation height 980 mm</b> right/left	on request
<b>Installation height 1120 mm</b> right/left	219001

**Can be used for installation in a pre-wall.**

**For extending an extension section and for bridging distances distances over 625 mm wide between sanitary modules et cetera**

- Galvanised, self-supporting and sound-decoupled steel construction, with one profile, with built-in fastening plate made of laminated wood (250 mm high, 30 mm thick) for individual fastening of heavy loads
- All fastening and mounting accessories
- Adjustable footrests up to max. 0-220 mm

Dimensions: W / H / D 48 / 825, 980 oder 1120 / 48 mm

**Accessories:**

Sound-decoupled wall brackets for pre-wall installation, page 47



## BS+ extension for wall bracket for wall mounting (240008 and 240012) up to 400 mm



Design	Ref. no.
	240010



## BS+ extended feet

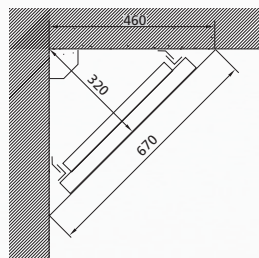
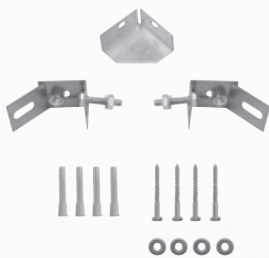


Design	Ref. no.
For floor construction up to 400 mm (1 pair)	215101
For floor construction up to 600 mm (1 pair)	215100

- For raised floor construction
- Suitable for all BS+ elements
- Version: In pairs
- Galvanised with plastic feet



## BS+ corner mounting set



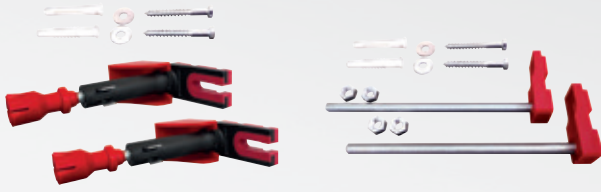
Design	Ref. no.
1 pair	218106

### For mounting BS+ units as a 45° corner solution.

- Galvanised mounting bracket
- Additional upper corner planking support
- All mounting and assembly accessories



Sound-decoupled wall bracket for front wall mounting,  
mounting depth 140 -190 mm extendable



Premium wall bracket (since January 2018)

Wall bracket

Design	Ref. no.
Premium wall bracket	240012
Wall bracket	240008

**New version**

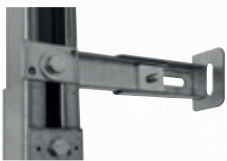
- 2 sound-decoupled wall supports M10
- All mounting and assembly accessories
- 2 support brackets

**Old version**

- 2 sound-decoupled wall supports M10
- All mounting and assembly accessories



BS+ foot mounting on rear wall  
e.g. for underfloor heating



Design	Ref. no.
1 pair	240020

- 2 galvanised wall supports
- All mounting accessories



universal mounting set



e.g. mounting on the wall

Design	Ref. no.
1 pair	240040

- 2 sound-decoupled wall supports M10
- All mounting and assembly accessories







03 – 15      **Santro** Pre-planked prewall system



17 – 47      **BS+** Dry construction system



49 – 52      **my move elements**      my move WC    page 50-51  
my move WT    page 52



53 – 57      **Kombiset** Wet construction system



59 – 70      **Flush buttons**



71 – 86      **Flushing systems**



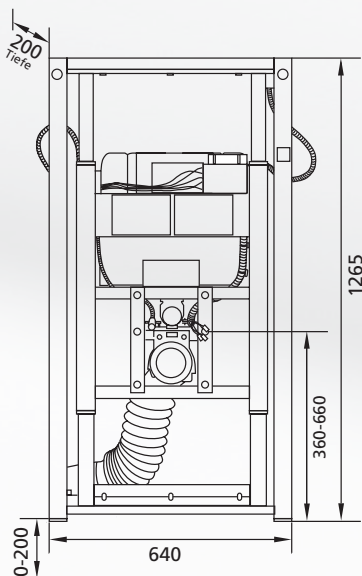
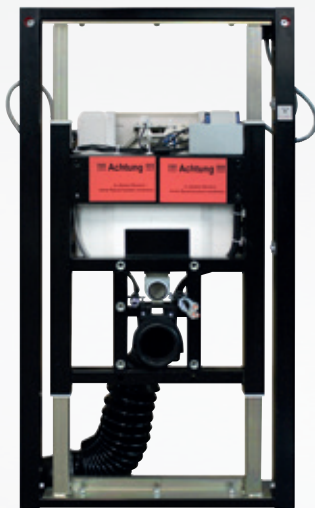
88 – 89      **Pondus XL** Floor-standing WC incl. seat for obese people



my move WC comfort for barrier-free WC facilities with electric height adjustment



suitable for: pre-wall



**scope of delivery**

Self-supporting drywall element made of powder-coated, self-supporting steel construction for wall and floor mounting incl. fixing material.  
(Sound-decoupled with premium wall bracket) for floor structures 0-20 cm with prefabricated internal drinking water and waste water pipework, as well as internal electrical wiring

**without support handles**

- With concealed cistern K840
- With electric lifting device for WC
- With glass top RAL 9003, signal white, W/H: 500 x 1045 mm
- With radio remote control
- With fibre-reinforced, core-impregnated plasterboard front (2-ply) with all control openings
- Stainless steel protection plate for inspection work

**technical data**

- WC attachment 180 mm
- WC 30 cm height-adjustable
- Load capacity up to 350 kg

**connections:**

Electrical connection: via Schuko plug (230 V AC, 50-60 Hz)  
Waste water connection: DN 90, Drinking water connection: R1/2"

**optional**

- Individual glass panel colour according to RAL
- Panelling for individual installation RAL Classic colours
- Panelling for individual installation RAL Design colours
- Preparation for inclusion of shower toilet
- External button „up/down“
- External button „flush“

Dimensions: W / H / D 640 / 1265 / 200 mm

compatible with Duravit Sensowash®

compatible with Geberit AquaClean

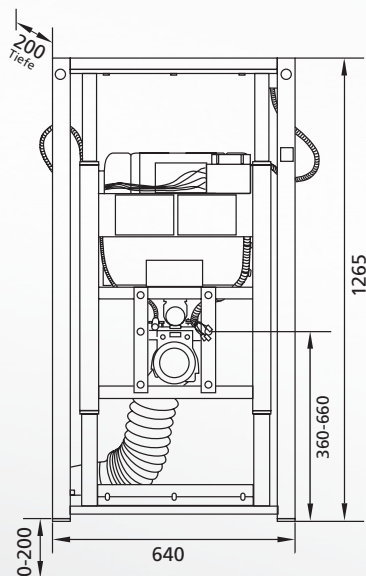
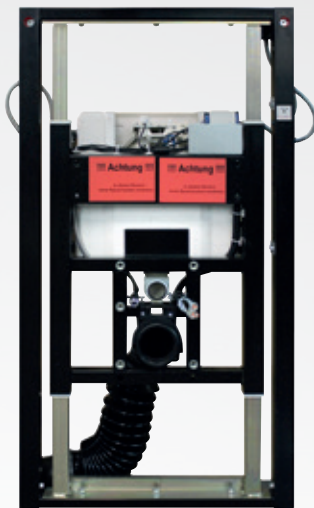
Design	Ref. no.	Design	Ref. no.
<b>my move WC comfort</b>	270001		
Individual glass panel colour according to RAL	270003	Preparation for inclusion of shower toilet	270010
Panelling for individual installation RAL Classic colours	270005	External button „up/down“	270008
Panelling for individual installation RAL Design colours	270007	External button „flush“	270009



my move WC care for barrier-free WC facilities  
with electric height adjustment **with folding support handles**



suitable for: pre-wall



**scope of delivery**

Self-supporting drywall element made of powder-coated, self-supporting steel construction (see my move comfort)

**with folding support handles type 700**

- With concealed cistern K840
- With electric lifting device for WC
- With glass top RAL 9003, signal white, W/H: 500 x 1045 mm
- With radio remote control
- With fibre-reinforced, core-impregnated plasterboard front (2-ply) with all standard openings
- WC attachment 180 mm
- Stainless steel protection plate for inspection work
- 2 x Normbau folding support handles, cavere type, Colour silver-metalllic (similar to RAL 9006) 1 x paper roll holder, 1 x WC release included (side according to customer specification)

**technical data and connections:** (see my move comfort)

**optionally available at no extra charge**

- Folding support rails type 600 or type 800

**optionally available at an extra charge**

- Individual glass panel colour according to RAL
- Panelling for individual installation RAL Classic colours
- Panelling for individual installation RAL Design colours
- Preparation for inclusion of shower toilet
- External button „up/down“
- External button „flush“
- Back support
- Second paper roll holder
- Second control on the folding support handle (up / down / rinse)

Dimensions: W / H / D 640 / 1265 / 200 mm

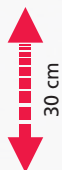
compatible with Duravit Sensowash®

compatible with Geberit AquaClean

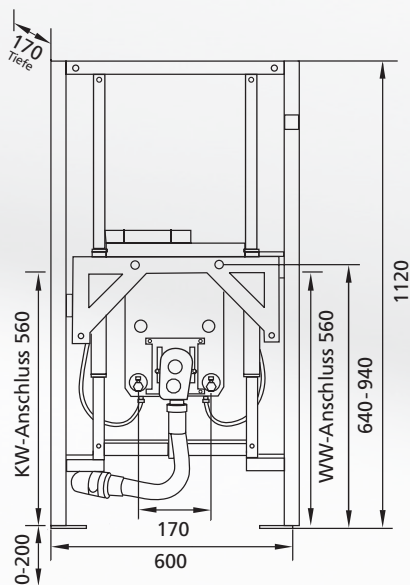
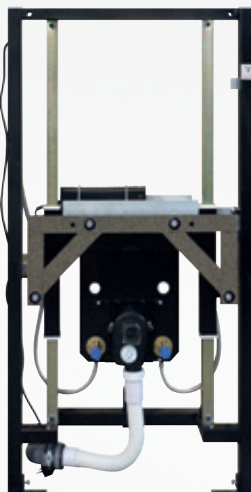
Design	Ref. no.	Design	Ref. no.
<b>my move WC care</b>	270002		
individual glass panel colour according to RAL	270003	External button „up/down“	270008
Panelling for individual installation RAL Classic colours	270005	External button „flush“	270009
Panelling for individual installation RAL Design colours	270007	Back support	270012
Preparation for inclusion of shower toilet	270010	Second paper roll holder	270013
		Second control on the folding support handle (up / down / rinse)	270014



my move *WT comfort* for barrier-free washstand systems with electric height adjustment **for on-site washstand**



suitable for: pre-wall



**scope of delivery**

Self-supporting drywall element made of powder-coated, self-supporting steel construction for wall and floor fastening incl. fastening material.  
(sound-decoupled with premium wall bracket) for floor structures 0-20 cm with prefabricated internal drinking water and waste water pipework, as well as internal electrical wiring

- Concealed washstand trap
- Two wall discs
- Glass panel RAL 9003, signal white, W/H: 700 x 1000 mm
- Radio remote control for automatic height adjustment
- Fibre-reinforced, core-impregnated plasterboard front (2-ply) with all standard openings for on-site tiling

**Technical data**

- Washstand attachment 280 mm
- Washstand 30 cm height-adjustable

**Connections:**

Electrical connection: via Schuko plug (230 V AC, 50-60 Hz)  
Waste water connection: DN 50, DHW and DHW connection: R1/2"

**optional**

- Individual glass panel colour according to RAL
- Glass panel with mirror, Total W/H 700 x 1450 mm, mirror W/H 700 x 690 mm
- Glass panel with mirror, Total W/H 700 x 1630 mm, mirror W/H 700 x 870 mm
- Panelling for individual installation RAL Classic colours
- Panelling for individual installation RAL Design colours
- External button „up/down“

Dimensions: W / H / D 640 / 1120 / 170 mm



View without integrated mirror

Design	Ref. no.	Design	Ref. no.
<b>my move WT comfort for on-site washbasin</b> Installation height 1120 mm	270501		
Individual glass panel according to RAL	270505	Panelling for individual installation RAL Classic colours	270508
Glass panel with mirror Total W/H 700 x 1450 mm mirror W/H 700 x 690 mm	270506	Panelling for individual installation RAL Design colours	270515
Glass panel with mirror Total W/H 700 x 1630 mm mirror W/H 700 x 870 mm	270513	External button „up/down“	270516



03 – 15     **Santro** Pre-planked prewall system



17 – 47     **BS+** Dry construction system



49 – 52     **my move elements** Electrically height-adjustable



53 – 57     **Kombiset** WC Carrying supports page 54-55 page 55     urinal page 56-57



59 – 70     **Flush buttons**



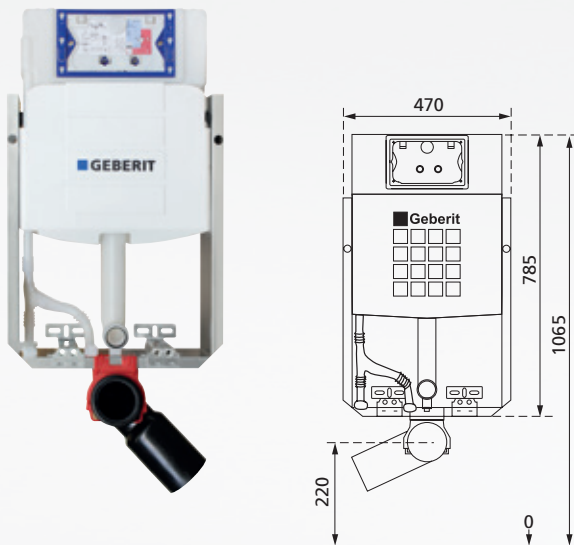
71 – 86     **Flushing systems**



88 – 89     **Pondus XL** Floor-standing WC incl. seat for obese people



## Kombiset WC-element with concealed cistern



- Mounting unit, galvanised with four fixing points
- Built-in, condensation-insulated concealed cistern
- Ceramic fixing M12, distance 18 or 23 cm
- Drain fastening
- Connection bend made of PE-HD, DN 90 mm  
Incl. transition sleeve made of PE-HD, DN 90/110 mm
- Wall-mounted WC connection set
- Building protection for the inspection opening
- Water connection 1/2" sink with integrated angle valve

Dimensions: W / H / D 470 / 1065 / 120 mm

### Accessories:

Flush plates and flushing systems from page 59  
Support brackets: Page 55

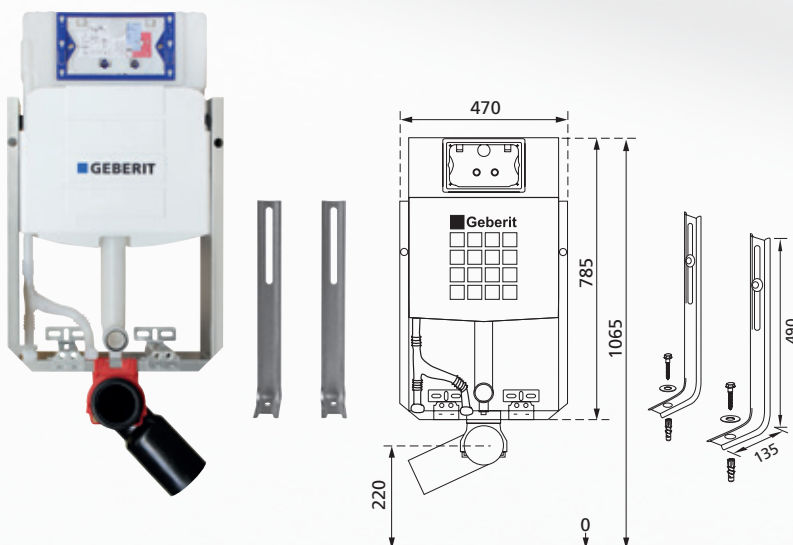
Design	Ref. no.	Design	Ref. no.
with Geberit cistern Sigma with 2-quantity flush	511109.00	<b>Kombiset eco as above, but without individual packaging</b>	
Burda cistern K770 with 2-quantity flush	511114.00	with Geberit cistern Sigma with 2-quantity flush	511117.00

all WC frames with Geberit cistern:  
compatible with Duravit Sensowash®  
and Geberit AquaClean WCs

WC-racks with Geberit cistern Sigma:  
additionally compatible with Geberit  
Duo-Fresh inserts (cleaning cubes)



## Kombiset WC TS with carrying supports



- Mounting unit, galvanised with four fixing points
- Built-in, condensation-insulated concealed cistern
- Ceramic fixing M12, distance 18 or 23 cm
- Drain fastening
- Connection bend made of PE-HD, DN 90 mm  
Incl. transition sleeve made of PE-HD, DN 90/110 mm
- Wall-mounted WC connection set
- Building protection for the inspection opening
- Water connection 1/2" AG with integrated angle valve
- incl. support brackets

Dimensions: W / H / D 470 / 1065 / 120 mm

### Accessories:

Flush plates and flushing systems from page 59  
Support brackets: Page 55

Design	Ref. no.
with Geberit cistern Sigma with 2-quantity flush	511118.00

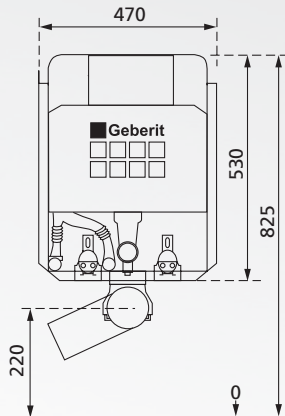
all WC frames with Geberit cistern:  
compatible with Duravit Sensowash®  
and Geberit AquaClean WCs

WC-racks with Geberit cistern Sigma:  
additionally compatible with Geberit  
Duo-Fresh inserts (cleaning cubes)





## Kombiset WC Geberit 82,5 cm with concealed cistern



- Mounting unit, galvanised with four fixing points
- Built-in, condensation-insulated concealed cistern Geberit Omega
- Ceramic fixing M12, distance 18 or 23 cm
- Drain fastening
- Connection bend made of PE-HD, DN 90 mm  
Incl. transition sleeve made of PE-HD, DN 90/110 mm
- Wall-mounted WC connection set
- Building protection for the inspection opening
- Water connection 1/2" sink with integrated angle valve

Dimensions: W / H / D 470 / 825 / 140 mm

### Accessories:

Flush plates and flushing systems from page 59  
Support brackets: Page 55

### Note:

The toilet lid only remains in the open position if the distance between the wall and the toilet lid is > 25 mm.  
When using WC ceramics such as those from Keramag: Renova No. 1, Comprimo 204550, Joly 203060, V&B: Viala 765310, Viala 765210, the flush plate must be installed from above.

Design \_\_\_\_\_ Ref. no. \_\_\_\_\_

### Installation height 825 mm

with Geberit cistern Omega 511890.00  
Actuation from the front/top

all WC frames with Geberit cistern:  
compatible with Duravit Sensowash®  
and Geberit AquaClean WCs

WC-racks with Geberit cistern Sigma:  
additionally compatible with Geberit  
Duo-Fresh inserts (cleaning cubes)



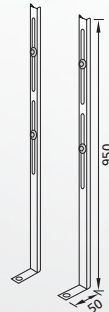
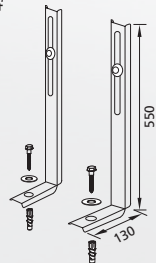
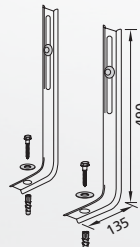
### carrying supports TS



### carrying supports TSV



### carrying supports TSU



### carrying supports TS

Installation aid for free-standing installation of the Kombiset WC elements or to support the load of the WC ceramic appliance.

### carrying supports TSV

Installation aid for free-standing installation of the Kombiset WC elements or to support the load of the WC ceramic appliance. However, extended by 100 mm for barrier-free WCs or for raised screed.

### carrying supports TSU

Installation aid for free-standing installation of the kombiset urinal elements or to support the load of the urinal ceramic.

Design \_\_\_\_\_ Ref. no. \_\_\_\_\_

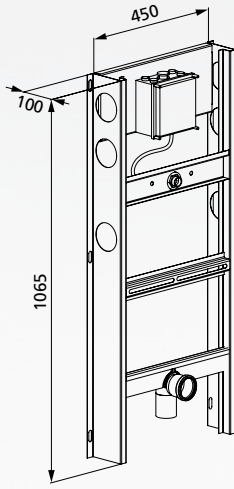
carrying supports TS, 1 pair 550039

carrying supports TSV, 1 pair 550022

carrying supports TSU, 1 pair 550046



## Kombiset urinal with flush-mounted flush valve or shell set



Design	Ref. no.
Burda flush valve U-05/06	542054
Burda flush valve U-05/06 for spray head	542055

**Complete pre-assembled installation unit for brickwork made of galvanised steel frame, with fixing material, DN 50 drainage elbow and urinal attachment**

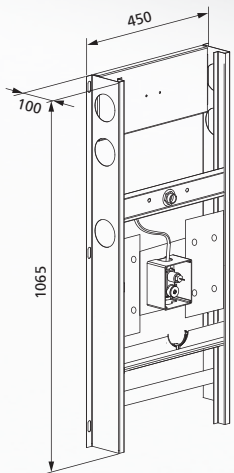
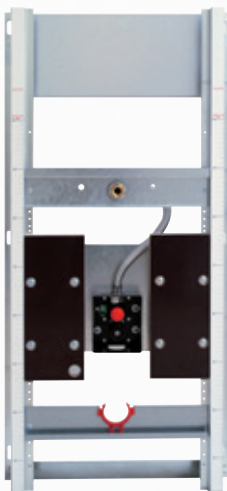
- All urinal fastening material
- Drain elbow DN 50
- Suction trap
- Flexible hose
- Urinal connection set
- Connection 1/2"

Dimensions: W / H / D 450 / 1065 / 100 mm

**Accessories:**  
Flushing systems for urinals from page 78



## Kombiset urinal with concealed shell set for Flowtronik



Design	Ref. no.
	540000
for spray head	540001

**Attention!**  
When using a stainless steel urinal please contact our hotline in advance 0211/95001-0 beforehand!

**Complete pre-assembled installation unit for brickwork made of galvanised steel frame.**

- All urinal fastening material
- Drain elbow DN 50
- Flowtronik shell set with 230V connection
- Valve block and water shut-off
- Functions: Standard and stadium operation, forced flushing
- Suction trap
- Flexible hose
- Urinal connection set
- Connection 1/2"

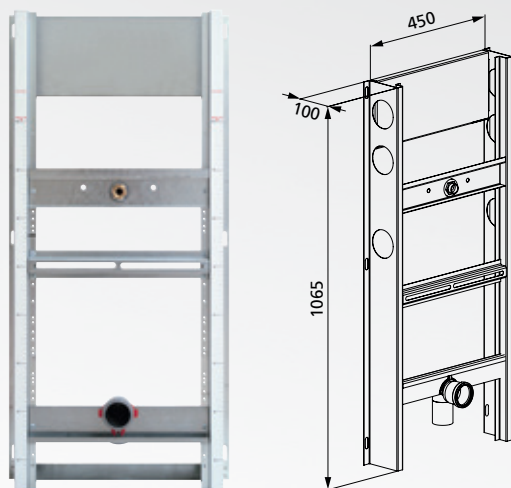
Dimensions: W / H / D 450 / 1065 / 100 mm

**Accessories:**  
Flushing systems for urinals from page 78

**Note:**  
Not suitable for urinals with moulded-in suction trap, e.g. V&B Omnia Pro #7502 00, #7503 00, #7504 00.



## Kombiset urinal for Geberit Flushcontrol / Duravit Utronic



**Complete pre-assembled installation unit for brickwork made of galvanised steel frame.**

- All urinal fastening material
- Drain elbow DN 50
- Electronics or shell set
- Suction trap
- Flexible hose
- Urinal connection set
- Connection 1/2"

Dimensions: W / H / D 450 / 1065 / 100 mm

**Note:**

Not suitable for urinals with moulded-in suction trap, e.g. V&B Omnia Pro #7502 00, #7503 00, #7504 00.

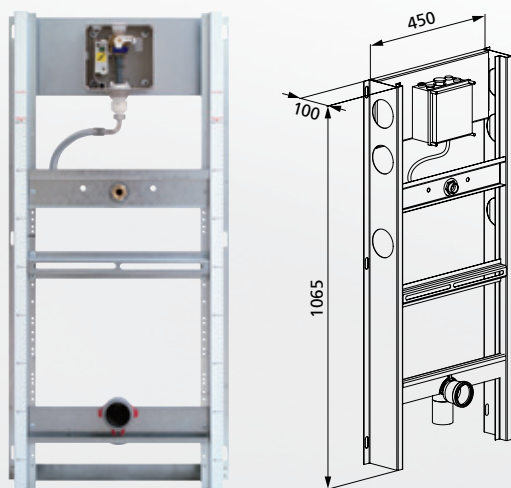
Design	Ref. no.	Design	Ref. no.
--------	----------	--------	----------

### Installation height 1065 mm

Design	Ref. no.	Design	Ref. no.
<u>shell set</u>		<u>shell set</u>	
for Geberit Flushcontrol	543121	for Duravit Utronic	543141
for Geberit Flushcontrol for spray head	543122	for Duravit Utronic for spray head	543142



## Kombiset urinal with concealed shell set



**Complete pre-assembled installation unit for brickwork made of galvanised steel frame.**

- All urinal fastening material
- Drain elbow DN 50
- Electronics or shell set
- Suction trap
- Flexible hose
- Urinal connection set
- Connection 1/2"

Dimensions: W / H / D 450 / 1065 / 100 mm

**Accessories:**

Flushing systems for urinals from page 78

**Note:**

Not suitable for urinals with moulded-in suction trap, e.g. V&B Omnia Pro #7502 00, #7503 00, #7504 00.

Design	Ref. no.	Design	Ref. no.
--------	----------	--------	----------

### Installation height 1065 mm

Design	Ref. no.	Design	Ref. no.
<u>shell set</u>		<u>version with integrated control unit</u>	
Geberit shell set universal for HyTronic and HyTouch	523623	Burda shell set <u>with</u> infrared electronic BurdaTronic U-09	543112.60
Geberit shell set universal for HyTronic and HyTouch for spray head	523624	Burda shell set <u>with</u> infrared electronic BurdaTronic U-09 for spray head	543114.60





03 – 15      **Santro** Pre-planked prewall system



17 – 47      **BS+** Dry construction system



49 – 52      **my move elements** Electrically height-adjustable



53 – 57      **Kombiset** Wet construction system



59 – 70      **Flush buttons**      Burda page 60-65  
Geberit page 66-70      Schell page 70



71 – 86      **Flushing systems**



88 – 89      **Pondus XL** Floor-standing WC incl. seat for obese people



# Flush buttons Burda

## Flush button T610



Design	Ref. no.
White	610.00
Polished chrome finish	610.51
Matt chrome finish	610.50

### Suitable for concealed cistern K610 2-quantity flush, for actuation from the front

- With mounting frame
- With fastening material
- Material: plastic

#### Suitable for the following elements:

210003, 211017, 211021, 211053, 211419, 211500, 211505, 211555, 211945, 211945, 400017, 510003, 610001, 611101, 611131, 611212, 611231, 611411, WC13-35-23, WC22-35-23, WC33-35-21, WC3-35-21, WC5-35-26, WC5-35-27

Individ. customised imprint on plastic, stainless steel and glass buttons under end number 99 possible at an extra charge. Please send file as vector graphic, eps or similar.



## Flush button T611



Design	Ref. no.
White	611.00
Polished chrome finish	611.51

### Suitable for concealed cistern K610 1-quantity flush, flush/stop, for actuation from the front

- With mounting frame
- With fastening material
- Material: plastic/stainless steel

#### Suitable for the following elements:

210003, 211017, 211021, 211053, 211419, 211500, 211505, 211555, 211945, 211945, 400017, 510003, 610001, 611101, 611131, 611212, 611231, 611411, WC13-35-23, WC22-35-23, WC33-35-21, WC3-35-21, WC5-35-26, WC5-35-27

Individ. customised imprint on plastic, stainless steel and glass buttons under end number 99 possible at an extra charge. Please send file as vector graphic, eps or similar.



## Flush button T620



Design	Ref. no.	Design	Ref. no.
White	620.00	Polished / Polished chrome finish	620.51
White/Matt chrome finish	620.69	Matt/Matt chrome finish	620.50
White/Polished chrome finish	620.70	Polished chrome finish/White	620.68
		Stainless steel look	620.60

### Suitable for concealed cistern K610 2-quantity flush, for actuation from the front

- With mounting frame
- With fastening material
- Material: plastic

#### Suitable for the following elements:

210003, 211017, 211021, 211053, 211419, 211500, 211505, 211555, 211945, 211945, 400017, 510003, 610001, 611101, 611131, 611212, 611231, 611411, WC13-35-23, WC22-35-23, WC33-35-21, WC3-35-21, WC5-35-26, WC5-35-27

Individ. customised imprint on plastic, stainless steel and glass buttons under end number 99 possible at an extra charge. Please send file as vector graphic, eps or similar.





## Flush button T752



Design	Ref. no.
White	752.00
Matt chrome finish	752.50

**Suitable for concealed cistern K750**  
**1-quantity flush, flush/stop, for actuation from the front**

- With mounting frame
- With fastening material
- Material: plastic

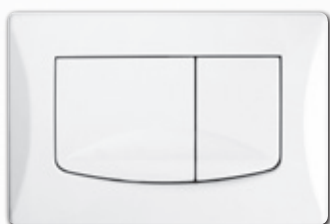
**Suitable for the following elements:**

WC3-30-21, WC5-30-26, WC5-30-27, WC13-30-21, WC22-30-23  
WC33-30-21, 211042.00, 211133.00, 211134.00, 211135.00, 211136.00,  
211137.00

Individ. customised imprint on plastic, stainless steel and glass buttons under end number 99 possible at an extra charge. Please send file as vector graphic, eps or similar.



## Flush button T753



Design	Ref. no.
White	753.00
Polished chrome finish	753.51
Matt chrome finish	753.50

**Suitable for concealed cistern K750**  
**2-quantity flush, for actuation from the front**

- With mounting frame
- With fastening material
- Material: plastic

**Suitable for the following elements:**

WC3-30-21, WC5-30-26, WC5-30-27, WC13-30-21, WC22-30-23  
WC33-30-21, 211042.00, 211133.00, 211134.00, 211135.00, 211136.00,  
211137.00

Individ. customised imprint on plastic, stainless steel and glass buttons under end number 99 possible at an extra charge. Please send file as vector graphic, eps or similar.



## Flush button T760



Design	Ref. no.
White	760.00
Polished chrome finish	760.51
Matt chrome finish	760.50

**Suitable for concealed cistern K750 / K760**  
**2-quantity flush, for actuation from the front**

- With mounting frame
- With fastening material
- Material: plastic

**Suitable for the following elements:**

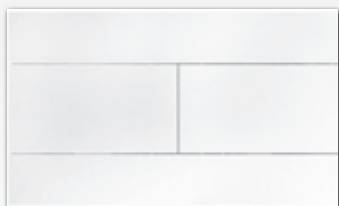
WC3-30-21, WC5-30-26, WC5-30-27, WC13-30-21, WC22-30-23  
WC33-30-21, 211042.00, 211133.00, 211134.00, 211135.00, 211136.00,  
211137.00

Individ. customised imprint on plastic, stainless steel and glass buttons under end number 99 possible at an extra charge. Please send file as vector graphic, eps or similar.



# Flush buttons Burda

## Flush button T770



Design	Ref. no.
White	770.00
Polished chrome finish	770.51
Matt chrome finish	770.50

**Suitable for concealed cistern K750/K760**  
**2-quantity flush, for actuation from the front**

- With mounting frame
- With fastening material
- Material: plastic

**Suitable for the following elements:**

WC3-30-21, WC5-30-26, WC5-30-27, WC13-30-21, WC22-30-23  
 WC33-30-21, 211042.00, 211133.00, 211134.00, 211135.00, 211136.00,  
 211137.00

Individ. customised imprint on plastic, stainless steel and glass buttons under end number 99 possible at an extra charge. Please send file as vector graphic, eps or similar.



## Flush button T780



Design	Ref. no.
Polished chrome finish	780.51
Matt chrome finish	780.50

**Suitable for concealed cistern K750/K760**  
**2-quantity flush, for actuation from the front**

- With mounting frame
- With fastening material
- Material: zinc die casting

**Suitable for the following elements:**

WC3-30-21, WC5-30-26, WC5-30-27, WC13-30-21, WC22-30-23  
 WC33-30-21, 211042.00, 211133.00, 211134.00

Individ. customised imprint on plastic, stainless steel and glass buttons under end number 99 possible at an extra charge. Please send file as vector graphic, eps or similar.



## Flush button T784



Design	Ref. no.	Design	Ref. no.
White/Polished chrome finish/White	784.83	Matt chrome finish / Polished/ Matt chrome finish	784.68
Black/Polished chrome finish/Black	784.84	Polished chrome finish/Matt/ Polished chrome finish	784.65

**Suitable for concealed cistern K770/K845**  
**2-quantity flush, for actuation from the front**

- With mounting frame
- With fastening material
- Material: plastic

**Suitable for the following elements:**

WC33-50-21, WC5-50-26, WC5-50-27, WC3-50-21, 220140.00,  
 211240.00, 211943.00, 211700.00, 211303.00, 211066.00, 211065.00,  
 211480.00, 211580.00

Individ. customised imprint on plastic, stainless steel and glass buttons under end number 99 possible at an extra charge. Please send file as vector graphic, eps or similar.



## Flush button T785



Design	Ref. no.
Stainless steel	785.60

**Suitable for concealed cistern K770/K845**  
**2-quantity flush, for actuation from the front**

- With mounting frame
- With fastening material
- Material: Stainless steel

**Suitable for the following elements:**

WC33-50-21, WC5-50-26, WC5-50-27, WC3-50-21, 220140.00, 211240.00, 211943.00, 211700.00, 211303.00, 211066.00, 211065.00, 211480.00, 211580.00

Individ. customised imprint on plastic, stainless steel and glass buttons under end number 99 possible at an extra charge. Please send file as vector graphic, eps or similar.



## Flush button T787



Design	Ref. no.	Design	Ref. no.
White/Polished chrome finish/White	787.83	Matt chrome finish / Polished/ Matt chrome finish	787.68
Black/Polished chrome finish/Black	787.84	Polished chrome finish/Matt/ Polished chrome finish	787.65

**Suitable for concealed cistern K770/K845**  
**2-quantity flush, for actuation from the front**

- With mounting frame
- With fastening material
- Material: plastic

**Suitable for the following elements:**

WC33-50-21, WC5-50-26, WC5-50-27, WC3-50-21, 220140.00, 211240.00, 211943.00, 211700.00, 211303.00, 211066.00, 211065.00, 211480.00, 211580.00

Individ. customised imprint on plastic, stainless steel and glass buttons under end number 99 possible at an extra charge. Please send file as vector graphic, eps or similar.



## Flush button T788



Design	Ref. no.
White/Polished chrome finish/White	788.83
Black/Polished chrome finish/Black	788.84

**Suitable for concealed cistern K770/K845**  
**2-quantity flush, for actuation from the front**

- With mounting frame
- With fastening material
- Material: plastic

**Suitable for the following elements:**

WC33-50-21, WC5-50-26, WC5-50-27, WC3-50-21, 220140.00, 211240.00, 211943.00, 211700.00, 211303.00, 211066.00, 211065.00, 211480.00, 211580.00

Individ. customised imprint on plastic, stainless steel and glass buttons under end number 99 possible at an extra charge. Please send file as vector graphic, eps or similar.



# Flush buttons Burda

## Flush button T790



Design	Ref. no.	Design	Ref. no.
White	790.00	Matt chrome finish	790.50
Black	790.20	Polished chrome finish	790.51

**Suitable for concealed cistern K770/K845  
2-quantity flush, for actuation from the front**

- With mounting frame
- With fastening material
- Material: plastic

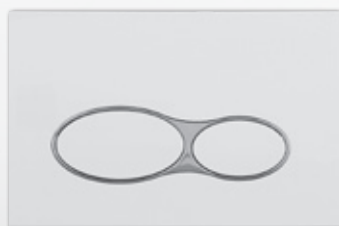
**Suitable for the following elements:**

WC33-50-21, WC5-50-26, WC5-50-27, WC3-50-21, 220140.00, 211240.00, 211943.00, 211700.00, 211303.00, 211066.00, 211065.00, 211480.00, 211580.00

Individ. customised imprint on plastic, stainless steel and glass buttons under end number 99 possible at an extra charge. Please send file as vector graphic, eps or similar.



## Flush button T791



Design	Ref. no.	Design	Ref. no.
White/Polished chrome finish/White	791.83	Matt chrome finish / Polished / Matt chrome finish	791.68
Black/Polished chrome finish/Black	791.84	Polished chrome finish/Matt/ Polished chrome finish	791.65

**Suitable for concealed cistern K770/K845  
2-quantity flush, for actuation from the front**

- With mounting frame
- With fastening material
- Material: plastic

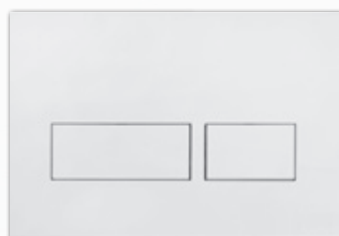
**Suitable for the following elements:**

WC33-50-21, WC5-50-26, WC5-50-27, WC3-50-21, 220140.00, 211240.00, 211943.00, 211700.00, 211303.00, 211066.00, 211065.00, 211480.00, 211580.00

Individ. customised imprint on plastic, stainless steel and glass buttons under end number 99 possible at an extra charge. Please send file as vector graphic, eps or similar.



## Flush button T795



Design	Ref. no.	Design	Ref. no.
White	795.00	Matt chrome finish	795.50
Black	795.20	Polished chrome finish	795.51

**Suitable for concealed cistern K770/K845  
2-quantity flush, for actuation from the front**

- With mounting frame
- With fastening material
- Material: plastic

**Suitable for the following elements:**

WC33-50-21, WC5-50-26, WC5-50-27, WC3-50-21, 220140.00, 211240.00, 211943.00, 211700.00, 211303.00, 211066.00, 211065.00, 211480.00, 211580.00

Individ. customised imprint on plastic, stainless steel and glass buttons under end number 99 possible at an extra charge. Please send file as vector graphic, eps or similar.



## Flush button T798



Design	Ref. no.	Design	Ref. no.
White	798.00	Matt chrome finish	798.50
Black	798.20	Polished chrome finish	798.51

**Suitable for concealed cistern K770/K845**  
**2-quantity flush, for actuation from the front**

- With mounting frame
- With fastening material
- Material: plastic

**Suitable for the following elements:**

WC33-50-21, WC5-50-26, WC5-50-27, WC3-50-21, 220140.00, 211240.00, 211943.00, 211700.00, 211303.00, 211066.00, 211065.00, 211480.00, 211580.00

Individ. customised imprint on plastic, stainless steel and glass buttons under end number 99 possible at an extra charge. Please send file as vector graphic, eps or similar..



## Flush button T901 / T902



Design	Ref. no.
White (2-quantity T901)	901.00
White (1-quantity T902)	902.00

**Suitable for concealed cistern K770/K845**  
**2-quantity flush, for actuation from the front (T901)**  
**1-quantity flush, flush/stop, (T902)**  
Successor models of T900

- With mounting frame
- With fastening material
- Material: plastic

**Suitable for the following elements:**

WC33-50-21, WC5-50-26, WC5-50-27, WC3-50-21, 220140.00, 211240.00, 211943.00, 211700.00, 211303.00, 211066.00, 211065.00, 211480.00, 211580.00

Individ. customised imprint on plastic, stainless steel and glass buttons under end number 99 possible at an extra charge. Please send file as vector graphic, eps or similar.



## Flush button T921



Design	Ref. no.
White	921.00
Matt chrome finish	921.50
Polished chrome finish	921.51

**Suitable for concealed cistern K921**  
**2-quantity flush, for actuation from the front**

- With mounting frame
- With fastening material
- Material: plastic

**Suitable for the following elements:**

211456, 523556, 611234, WC3-32-21

Individ. customised imprint on plastic, stainless steel and glass buttons under end number 99 possible at an extra charge. Please send file as vector graphic, eps or similar.



# Flush buttons Geberit

## Flush button Sigma10



Design	Ref. no.	Design	Ref. no.
Plate and button white Design rings polished chrome finish	550037.83	Stainless steel brushed and many more	550037.60
Plate and button black Design rings polished chrome finish	550037.84		

**Suitable for concealed cistern Sigma  
1-quantity flush, flush/stop, for actuation from the front**

- With mounting frame
- With fastening material
- Material: plastic

**Suitable for the following elements:**

211052, 211057, 211088, 211090, 211121, 211148, 211600, 211606, 211666, 211947, 211948, 220088, 220099, 400018, 511109, 511116, 511118, WC13-12-23, WC22-12-23, WC3-12-21, WC33-12-21, WC5-12-26, WC5-12-27



## Flush button Sigma30



Design	Ref. no.
Plate and button white Design rings polished chrome finish	550065.83
Plate and button black Design rings polished chrome finish and many more	550065.84

**Suitable for concealed cistern Sigma  
2-quantity flush, for actuation from the front**

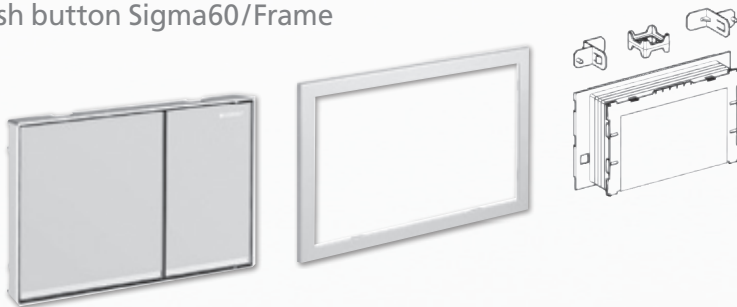
- With mounting frame
- With fastening material
- Material: plastic

**Suitable for the following elements:**

211052, 211057, 211088, 211090, 211121, 211148, 211600, 211606, 211666, 211947, 211948, 220088, 220099, 400018, 511109, 511116, 511118, WC13-12-23, WC22-12-23, WC3-12-21, WC33-12-21, WC5-12-26, WC5-12-27



## Flush button Sigma60/Frame



Design	Ref. no.	Design	Ref. no.
Brushed chrome-plated buttons, Design strips and frame polished chrome finish	550067.87	Sigma60 Cover frame polished chrome finish	550068.51
White buttons, Design strips mirrored and frame polished chrome finish	550067.70	Shell set for Sigma60	550069.00
		Sigma60 Cover frame chrome-plated brushed	550068.87

**Suitable for concealed cistern Sigma  
2-quantity flush, for actuation from the front**

- Flush actuation
- Suitable for planking or plaster thickness from 18 mm  
plus tile thickness 6 mm
- Material: zinc die casting

Sigma60 cover frame for covering unclean tile edges

**Suitable for the following elements:**

211052, 211057, 211088, 211090, 211121, 211148, 211600, 211606, 211666, 211947, 211948, 220088, 220099, 400018, 511109, 511116, 511118, WC13-12-23, WC22-12-23, WC3-12-21, WC33-12-21, WC5-12-26, WC5-12-27





## Flush button Sigma70



Design	Ref. no.
Brushed stainless steel	550059.60
Glass white	550059.69
Glass black	550059.72

### Suitable for concealed cistern Sigma 2-quantity flush, for actuation from the front

- With mounting frame
- With servo lift, hydraulic
- With water connection set
- With protective plate
- With 2 spacer bolts
- With mounting accessories
- Material: stainless steel / glass

### Suitable for the following elements:

211052, 211057, 211088, 211090, 211121, 211148, 211600, 211606, 211666, 211947, 211948, 220088, 220099, 400018, 511109, 511116, 511118, WC13-12-23, WC22-12-23, WC3-12-21, WC33-12-21, WC5-12-26, WC5-12-27



## Slide-in unit for Geberit DuoFresh Stick, for Sigma concealed cistern 12 cm



Design	Ref. no.
Polished chrome finish	550035

### For Geberit Sigma concealed cisterns 12 cm (from year of manufacture 2008)

### For inserting Geberit DuoFresh Stick without chlorine or oxidising componentse

- for Geberit flush button Sigma01
- for Geberit flush button Sigma10
- for Geberit flush button Sigma20
- for Geberit flush button Sigma21
- for Geberit flush button Sigma30
- for Geberit flush button Sigma50

### Features

Actuation from the front

Geberit DuoFresh Stick can be inserted without tools



## Flush button Delta10, screwable



Design	Ref. no.
Stainless steel	

### Suitable for concealed cistern Delta 1-quantity flush, flush/stop, for actuation from the front

- With mounting frame
- With fastening material
- Material: Stainless steel

### Suitable for the following elements:

211109, 211222, 511010, 611115, 611157, 611371, 611485, WC3-01-21



# Flush buttons Geberit

## Flush button Delta25



Design	Ref. no.
White	550042.00
Matt chrome finish	550042.50

### Suitable for concealed cistern Delta 2-quantity flush, for actuation from the front

- With mounting frame
- With fastening material
- Material: plastic

### Suitable for the following elements:

211109, 211222, 511010, 611115, 611157, 611371, 611485, WC3-01-21



## Flush button Delta35



Design	Ref. no.
White	550047.00
Matt chrome finish	550047.50

### Suitable for concealed cistern Delta 2-quantity flush, for actuation from the front

- With mounting frame
- With fastening material
- Material: plastic

### Suitable for the following elements:

211109, 211222, 511010, 611115, 611157, 611371, 611485, WC3-01-21



## Flush button Delta50



Design	Ref. no.
White	550066.00
Matt chrome finish	550066.50

### Suitable for concealed cistern Delta 2-quantity flush, for actuation from the front

- With mounting frame
- With fastening material
- Material: plastic

### Suitable for the following elements:

211109, 211222, 511010, 611115, 611157, 611371, 611485, WC3-01-21



## Flush button Omega20



Design	Ref. no.	Design	Ref. no.
Polished chrome finish, Design rings matt chrome finish	550060.65	White, Design rings gold-plated	550060.66
White, Design rings polished chrome finish	550060.83	Black, Design rings polished chrome finish	550060.84

**Suitable for concealed cistern Omega  
2-quantity flush, for actuation from the front**

- With mounting frame
- With fastening material
- Material: plastic

**Suitable for the following elements:**

211140.00/211390.00/211395.00/611190.00/611290.00  
WC3-26-21



## Flush button Omega30



Design	Ref. no.	Design	Ref. no.
Polished chrome finish, design stripes matt chrome finish	550061.65	White, Design stripes gold-plated	550061.66
White, Design stripes polished chrome finish	550061.83	Black, Design stripes polished chrome finish	550061.84

**Suitable for concealed cistern Omega  
2-quantity flush, for actuation from the front**

- With mounting frame
- With fastening material
- Material: plastic

**Suitable for the following elements:**

211140.00/211390.00/211395.00/611190.00/611290.00  
WC3-26-21



## Flush button Omega60



Design	Ref. no.	Design	Ref. no.
Brushed chrome-plated, design stripes and frame polished chrome finish	550062.87	Omega60 Cover frame brushed chrome-plated,	550064.87
Button: White glass, Design stripes: mirrored, Frame: polished chrome finish	550062.69		

**Suitable for concealed cistern Omega  
2-quantity flush, for actuation from the front**

- With mounting frame
- With fastening material
- Material: zinc die casting

**Suitable for the following elements:**

211140.00/211390.00/211395.00/611190.00/611290.00  
WC3-26-21



# Flush buttons Geberit / Schell

## Geberit cover plate Omega



Design	Ref. no.
Glass white	550063.69

### Suitable for concealed cistern Omega 2-quantity flush

- With mounting frame
- With fastening material
- Material: zinc die casting

### Suitable for the following elements:

211140.00/211390.00/211395.00/611190.00/611290.00  
WC3-26-21



## Flush button Schell Edition



Design	Ref. no.
Plastic, alpine white	550070.00
Stainless steel	550070.60

### Suitable for WC flush valve Compact Flush plate with push button 1-quantity flush, flush/stop

- With mounting frame,
- With self-closing plastic cartridge
- With automatic nozzle cleaning needle



03 – 15     **Santro** Pre-planked prewall system



17 – 47     **BS+** Dry construction system



49 – 52     **my move elements** Electrically height-adjustable



53 – 57     **Kombiset** Wet construction system



59 – 70     **Flush buttons**



71 – 86     **Flushing systems**

WC Burda    page 72  
WC Geberit   page 72-77

urinal Burda    page 78-79  
urinal Geberit   page 80-86



88 – 89     **Pondus XL** Floor-standing WC incl. seat for obese people



# Flushing systems wc

Burda WC control unit suitable for Burda cistern K770 manual / for folding support rails with radio transmission

for mains operation



Design	Ref. no.
Burda WC control unit, screwable for Burda concealed cistern K770	
Button: white	T690.00
Button: stainless steel	T690.60

Flush control for retrofitting or new installation in public or private areas. Suitable for Burda K770 cisterns. Triggered either manually using an actuation button with dual flush or wirelessly via radio transmission using a folding support handle.

Suitable for the following elements:

211065, 211066, 211140, 211149, 211240, 211303, 211330, 211700, 211943, 220140, WC3-50-21, WC5-50-26, WC5-50-27, WC33-50-21

- Radio activation via folding support handles
- Hygienic flush adjustable (1-148 hours factory setting, 24 hours can be changed via app for Android)
- Flush duration (factory setting 7 sec. can be changed via app for Android)
- Test flush (can be triggered via app for Android)
- Triggering via manual flush plate 2 quantity possible

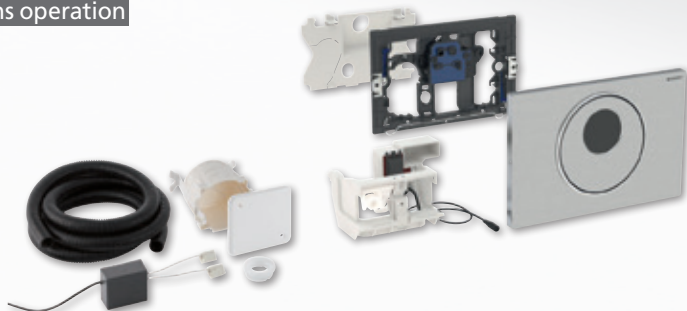
**Note:**

The sink settings app for Android is available at: [service@burda-online.com](mailto:service@burda-online.com)



Geberit WC control unit Sigma10, screwable automatic / touchless / manual

for mains operation



Design	Ref. no.
Geberit WC control, Sigma10, screwable for Geberit concealed cistern Sigma	
Plate and button: brushed Design ring: polished	505436
Geberit shell set for WC control with electrical flush release	505441

Vandal-proof flush control for retrofitting or new installation for public and private areas.

Suitable for Geberit Sigma concealed cisterns.

Activation is automatic / contactless / manual via an infrared sensor as well as by hand as a 1-quantity or 2-quantity flush.

Suitable for the following elements:

211088, 211090, 211121, 211148, 211600, 211606, 211666, 220088, 220099, 400018, 511109, 511116, 511118, WC13-12-23, WC22-12-23, WC3-12-21, WC33-12-21, WC5-12-26, WC5-12-27

**Note:**

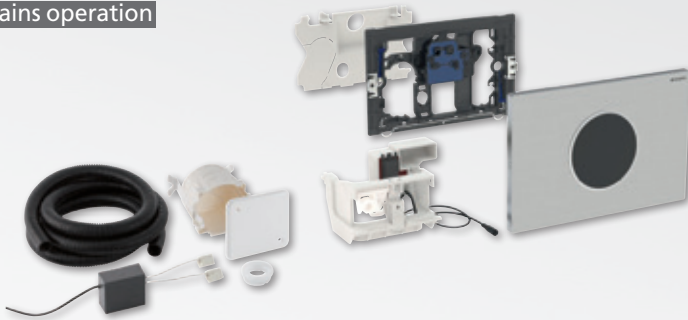
The distance between the mains transformer and the WC control unit including the extension cable, must not exceed 4 metres; Larger distances only after consultation with Geberit.





**Geberit WC control unit Sigma10, screwable automatic / contactless**

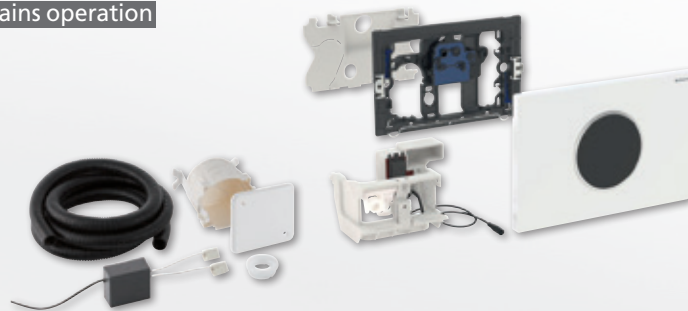
**for mains operation**



Design	Ref. no.
Burda WC control unit Sigma10, screwable for Geberit concealed cistern Sigma	
Plate: brushed Design ring: polished	505434
Geberit shell for WC control with electrical flush release	505441

**Geberit WC control unit Sigma10 automatic / contactless**

**for mains operation**



Design	Ref. no.	Design	Ref. no.
Geberit WC control unit, Sigma10 for Geberit UP-SPK Sigma		Plate: matt chrome finish Design ring: polished chrome finish	505431.68
Plate: brushed Design ring: polished	505431.00	Plate: white Design ring: polished chrome finish	505431.83
Plate: polished chrome finish Design ring: matt chrome finish	505431.65	Geberit shell set for WC control with electrical flush release	505441
Plate: white Design ring: gold-plated	505431.66		
Plate: black Design ring: polished chrome finish	505431.84		

**Vandal-proof flush control for retrofitting or new installation for public and private areas.**  
**Suitable for Geberit Sigma concealed cisterns.**  
**Triggering is automatic / contactless / manual via an infrared sensor as well as manually as a 1-quantity or 2-quantity flush.**

**Suitable for the following elements:**  
211088, 211090, 211121, 211148, 211600, 211606, 211666, 220088, 220099, 400018, 511109, 511116, 511118, WC13-12-23, WC22-12-23, WC3-12-21, WC33-12-21, WC5-12-26, WC5-12-27

**Note:**

The distance between the mains transformer and the WC control unit including the extension cable, must not exceed 4 metres; Larger distances only after consultation with Geberit.



**Vandal-proof flush control for retrofitting or new installation for public and private areas.**  
**Suitable for Geberit Sigma concealed cisterns.**  
**Triggering is automatic / contactless via an infrared sensor as well as by approaching with the hand as a 1-quantity or 2-quantity flush.**

**Suitable for the following elements:**  
211088, 211090, 211121, 211148, 211600, 211606, 211666, 220088, 220099, 400018, 511109, 511116, 511118, WC13-12-23, WC22-12-23, WC3-12-21, WC33-12-21, WC5-12-26, WC5-12-27

**Note:**

The distance between the mains transformer and the WC control unit including the extension cable, must not exceed 4 metres; Larger distances only after consultation with Geberit.



# Flushing systems wc

Geberit WC control unit Sigma10, screwable manual / for folding support rails



Design	Ref. no.	Design	Ref. no.
Geberit WC control, Sigma10, screwable for Geberit concealed cistern Sigma			
Plate and button: brushed Design ring: polished	505430	Geberit shell set for WC control with mechanical flush release	505541
Geberit shell set for WC control with electrical flush release	505441		

**Vandal-proof flush control for retrofitting or new installation for public and private areas.**

**Suitable for Geberit Sigma concealed cisterns.**

The flush is triggered manually as a 1-quantity flush or via a wired support handle

**Suitable for the following elements:**

211088, 211090, 211121, 211148, 211600, 211606, 211666, 220088, 220099, 400018, 511109, 511116, 511118, WC13-12-23, WC22-12-23, WC3-12-21, WC33-12-21, WC5-12-26, WC5-12-27

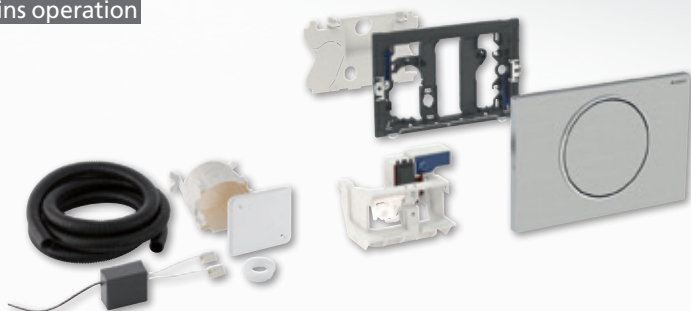
**Note:**

The distance between the mains transformer and the WC control unit including the extension cable, must not exceed 4 metres; Larger distances only after consultation with Geberit.



Geberit WC control unit Sigma10  
Manual / for folding support rails with radio transmission

**for mains operation**



Design	Ref. no.
Geberit WC control, Sigma10, screwable Radio release for Geberit concealed cistern Sigma	
Plate and button: brushed Design ring: polished	505428
Geberit shell set for WC control with electrical flush release	505441

**Vandal-proof flush control for retrofitting or new installation for public and private areas.**

**Suitable for Geberit Sigma concealed cisterns.**

The flush is triggered manually as a 1-quantity flush or wirelessly via a folding support handle.

**Suitable for the following elements:**

211088, 211090, 211121, 211148, 211600, 211606, 211666, 220088, 220099, 400018, 511109, 511116, 511118, WC13-12-23, WC22-12-23, WC3-12-21, WC33-12-21, WC5-12-26, WC5-12-27

**Note:**

The distance between the mains transformer and the WC control unit including the extension cable, must not exceed 4 metres; Larger distances only after consultation with Geberit.

Der Abstand vom Sender darf innerhalb eines Raums 10 m nicht überschreiten. Kann mit Geberit-Taster für Spülauslösung (Funk) Art.-Nr. 505 425 kombiniert werden.



## Geberit WC control unit Sigma80, lockable contactless



Design	Ref. no.
Geberit WC control, Sigma80, lockable for Geberit concealed cistern Sigma	
Black glass	505429
Geberit shell set for WC control with mechanical flush release	505441
Connection cable to Geberit Flush button Sigma80	505542

**Vandal-proof flush control for retrofitting or new installation for public and private areas.**  
Suitable for Geberit Sigma concealed cisterns.  
The flush is triggered as a 1-quantity flush without contact or via an external button.

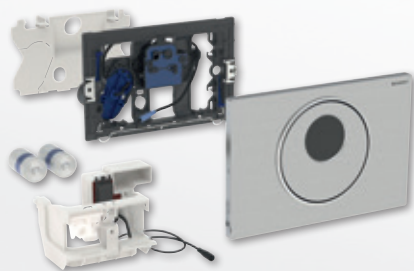
**Suitable for the following elements:**  
211088, 211090, 211121, 211148, 211600, 211606, 211666, 220088, 220099, 400018, 511109, 511116, 511118, WC13-12-23, WC22-12-23, WC3-12-21, WC33-12-21, WC5-12-26, WC5-12-27

**Note:**  
The distance between the mains transformer and the WC control unit including the extension cable, must not exceed 4 metres; Larger distances only after consultation with Geberit.



## Geberit WC control unit Sigma10, screwable automatic / contactless / manual

**for battery operation**



Design	Ref. no.
Geberit WC control, Sigma10, screwable for Geberit concealed cistern Sigma	
Plate and button: brushed Design ring: polished	505433

**Vandal-proof flush control for retrofitting or new installation for public and private areas.**  
Suitable for Geberit Sigma concealed cisterns.  
Triggering is automatic / contactless via an infrared sensor as well as manually as a 1-quantity or 2-quantity flush.

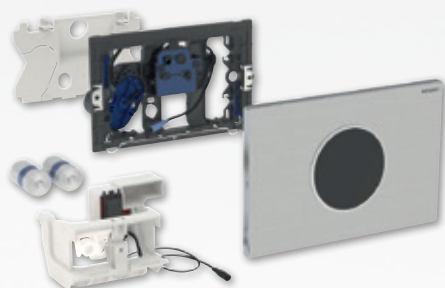
**Suitable for the following elements:**  
211088, 211090, 211121, 211148, 211600, 211606, 211666, 220088, 220099, 400018, 511109, 511116, 511118, WC13-12-23, WC22-12-23, WC3-12-21, WC33-12-21, WC5-12-26, WC5-12-27



# Flushing systems wc

Geberit WC control unit Sigma10, screwable automatic / contactless

for battery operation



Design	Ref. no.
Geberit WC control, Sigma10, screwable for Geberit concealed cistern Sigma	
Plate: brushed Design ring: polished	505432

Vandal-proof flush control for retrofitting or new installation for public and private areas.

Suitable for Geberit Sigma concealed cisterns.

Triggering is automatic / contactless, via an infrared sensor or by approaching the flush with the hand as a 1-quantity or 2-quantity flush.

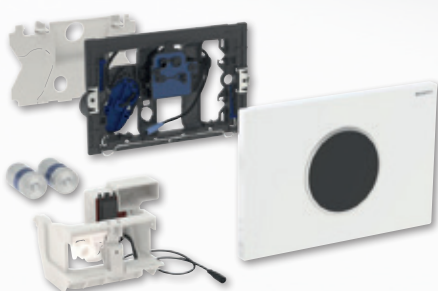
Suitable for the following elements:

211088, 211090, 211121, 211148, 211600, 211606, 211666, 220088, 220099, 400018, 511109, 511116, 511118, WC13-12-23, WC22-12-23, WC3-12-21, WC33-12-21, WC5-12-26, WC5-12-27



Geberit WC control unit Sigma10 automatic / contactless

for battery operation



Design	Ref. no.
Geberit WC control, Sigma10 for Geberit concealed cistern Sigma	
Plate: brushed Design ring: polished	505427.00
Plate: polished chrome finish Design ring: matt chrome finish	505427.65
Plate: white Design ring: gold-plated	505427.66

Vandal-proof flush control for retrofitting or new installation for public and private areas.

Suitable for Geberit Sigma concealed cisterns.

Triggering is automatic / contactless, via an infrared sensor or by approaching the flush with the hand as a 1-quantity or 2-quantity flush.

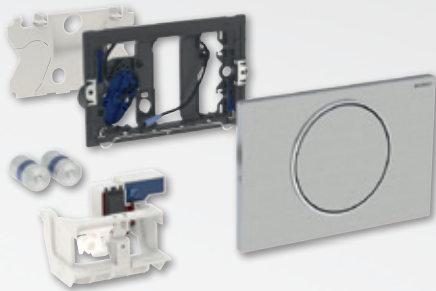
Suitable for the following elements:

211088, 211090, 211121, 211148, 211600, 211606, 211666, 220088, 220099, 400018, 511109, 511116, 511118, WC13-12-23, WC22-12-23, WC3-12-21, WC33-12-21, WC5-12-26, WC5-12-27



Geberit WC control unit Sigma10  
Manual / for folding support rails with radio transmission

**for battery operation**



Design	Ref. no.
Geberit WC control, Sigma10, screwable Radio triggering for Geberit concealed cistern Sigma	
Plate and button: brushed Design ring: polished	505426

Vandal-proof flush control for retrofitting or new installation for public and private areas.

Suitable for **Geberit Sigma concealed cisterns**.

The flush is triggered manually as a single flush or wirelessly by radio transmission via a folding support handle.

Suitable for the following elements:

211088, 211090, 211121, 211148, 211600, 211606, 211666, 220088, 220099, 400018, 511109, 511116, 511118, WC13-12-23, WC22-12-23, WC3-12-21, WC33-12-21, WC5-12-26, WC5-12-27

**Note:**

The distance from the transmitter must not exceed 10 m within a room. Can be combined with Geberit push-button for flush actuation (radio) item no. 505 425.



Geberit radio button  
for electronic flush actuation

**for battery operation**



Design	Ref. no.
Battery operation	505425

For manual, wireless flush actuation for Geberit Sigma concealed cistern via electronic Geberit WC control unit.

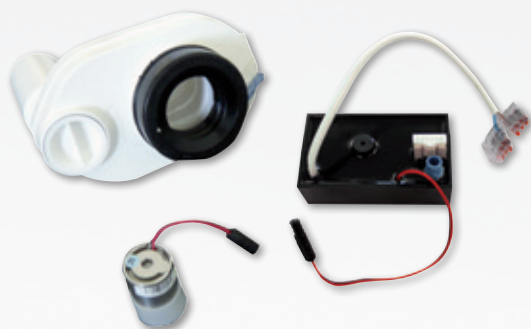




# Flushing systems urinal

## Burda Flowtronik

for mains operation



Concealed urinal flush control with trap sensor, programmable via Android App 230 V, ready-to-install set

consisting of:

- Electronics box
- Solenoid valve
- Trap sensor

Design

Ref. no.

214854



## BurdaTronic U-06 Manual operation



- With front panel and lever handle
- With cartridge
- With mounting frame
- With flush cartridge

Suitable for the following elements:

214029, 214030, 542054, 542055, 641694, UR3-36-59 M

Design

Ref. no.

White

505450.00

Polished chrome finish

505450.50

Stainless steel

505450.60





## BurdaTronic U-09

for mains operation



Design	Ref. no.
BurdaTronic U-09 Opto-electronics	
230 V, stainless steel	505455.60

### BurdaTronic U-09, Opto-electronics

- Flush button incl. mounting frame and sensor
- Travo 230 V
- Solenoid valve incl. adapter
- Remote control

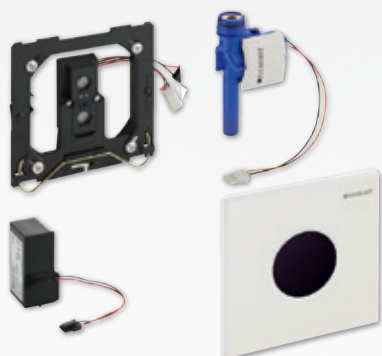
**Suitable for the following elements:**  
214889 und 214989



# Flushing systems urinal

## Geberit urinal flush control, cover plate type 01

**for mains operation**



- With front panel
- With mounting frame
- Integrated electronics, 230 V

**Suitable for the following elements:**

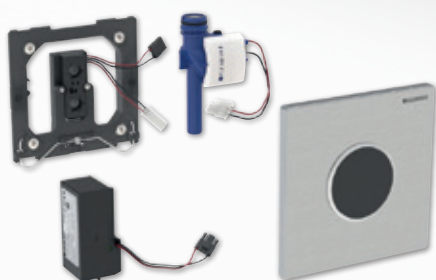
647572, 647584, 214712, 214713, 523623, 543131, UR3-85-59

Design	Ref. no.
White alpine, zinc die casting	505457.00
Polished chrome finish, zinc die casting	505457.51
Matt chrome finish, zinc die casting	505457.50



## Geberit urinal flush control, cover plate type 10

**for mains operation**



- With front panel
- With mounting frame
- Integrated electronics, 230 V

**Suitable for the following elements:**

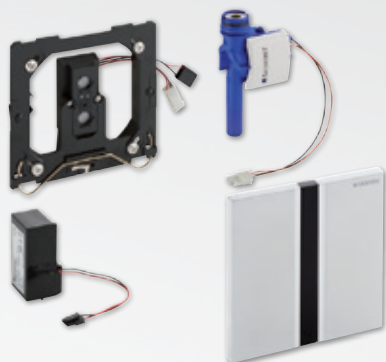
647572, 647584, 214712, 214713, 523623, 543131, UR3-85-59

Design	Ref. no.	Design	Ref. no.
Plate: brushed Design ring: polished	505458.00	Plate: white Design ring: matt chrome finish	505458.85
Plate: polished chrome finish Design ring: matt chrome finish	505458.65	Plate: black Design ring: polished chrome finish	505458.84
Plate: white Design ring: polished chrome finish	505458.83	Plate: matt chrome finish Design ring: polished chrome finish	505458.68
Plate: white Design ring: gold-plated	505458.66		



## Geberit urinal flush control, cover plate type 50

**for mains operation**



Design	Ref. no.
Brushed chrome, Zinc die casting	505462.87

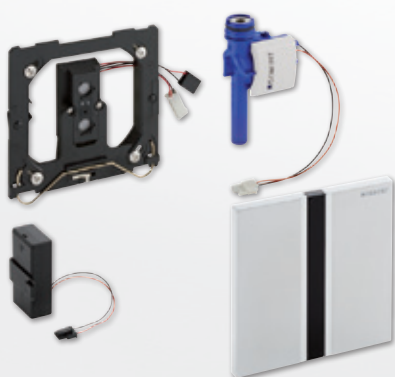
- With front panel
- With mounting frame
- Integrated electronics, 230 V

**Suitable for the following elements:**  
647572, 647584, 214712, 214713, 523623, 543131, UR3-85-59



## Geberit urinal flush control, cover plate type 50

**for battery operation**



Design	Ref. no.
Brushed chrome, Zinc die casting	505423.87

- With front panel
- With mounting frame
- Integrated electronics, battery operation

**Suitable for the following elements:**  
647572, 647584, 214712, 214713, 523623, 543131, UR3-85-59



# Flushing systems urinal

## Geberit urinal flush control concealed

for mains operation



Design

Ref. no.

505435

- 230 V ready-to-install set

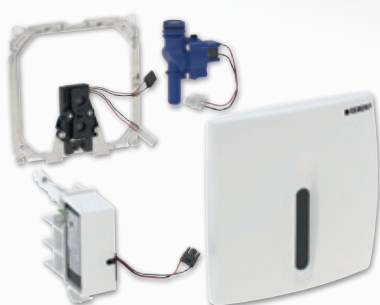
**Suitable for the following elements:**  
on request

**Accessories:**  
Geberit service mobile phone, page 84



## Geberit urinal flush control Basic

for mains operation



Design

Ref. no.

White alpine, plastic

505464.00

Matt chrome finish, plastic

505464.50

- With front panel
- With mounting frame
- Integrated electronics, 230 V

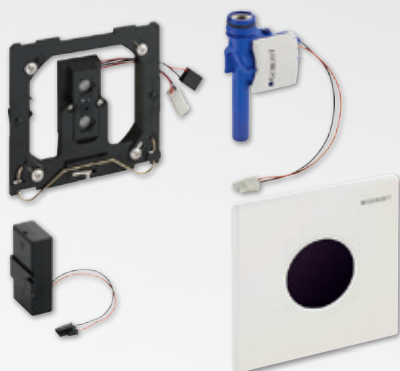
**Suitable for the following elements:**  
647562, 214702, UR3-87-59, 523613

**Accessories:**  
Geberit service mobile phone, page 84



## Geberit urinal flush control, cover plate type 01

**for battery operation**



Design	Ref. no.
White alpine, Zinc die casting	505463.00
Polished chrome finish, Zinc die casting	505463.51
Matt chrome finish, Zinc die casting	505463.50

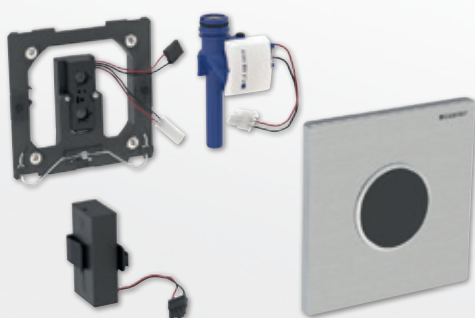
- With front panel
- With mounting frame
- Integrated electronics, battery operation

**Suitable for the following elements:**  
647572, 647584, 214712, 214713, 523623, 543131, UR3-85-59



## Geberit urinal flush control, cover plate type 10

**for battery operation**



Design	Ref. no.	Design	Ref. no.
Plate: brushed Design ring: polished	505466.00	Plate: white Design ring: matt chrome finish	505466.85
Plate: polished chrome finish Design ring: matt chrome finish	505466.65	Plate: black Design ring: polished chrome finish	505466.84
Plate: white Designring: hgl. verchromt	505466.83	Plate: matt chrome finish Design ring: polished chrome finish	505466.68
Plate: white Design ring: gold-plated	505466.66		

- With front panel
- With mounting frame
- Integrated electronics, battery operation

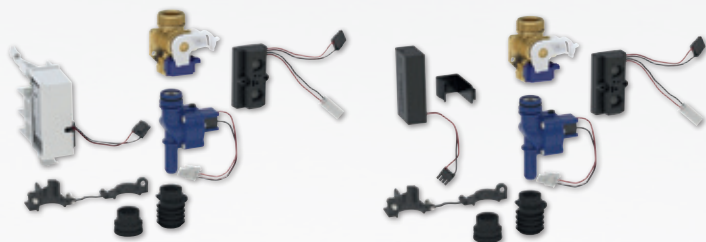
**Suitable for the following elements:**  
647572, 647584, 214712, 214713, 523623, 543131, UR3-85-59



# Flushing systems urinal

## Geberit urinal flush control replacement set

for mains or battery operation



Design	Ref. no.
for main operation	505475
for battery operation	505476

for converting existing Geberit urinal flush controls with mains or battery operation, cover plate 160 x 160 mm  
Item no. 115.802.xx.x, 115.825.00.1, 115.837.00.1, 115.818.xx.x  
for automatic flush actuation of urinals

Not suitable for converting urinals with a spray head



Batteriebetrieb



Netzbetrieb

## Geberit service mobile phone



Design	Ref. no.
service mobile phone	505477

### Geberit service mobile phone

For entering and querying the settings of various electronic Geberit products such as washstand taps, WC and urinal flush controls and sanitary flushes.





## Geberit urinal flush control, flush button type 01

with pneumatic flush actuation



Design	Ref. no.
White alpine, plastic	505469.00
Polished chrome finish, plastic	505469.51
Matt chrome finish, plastic	505469.50

- With front panel
- With mounting frame
- With pneumatic valve

Suitable for the following elements:

647572, 647584, 214712, 214713, 523623, 543131, UR3-85-59



## Geberit urinal flush control, flush button type 10

with pneumatic flush actuation



Design	Ref. no.	Design	Ref. no.
Brushed stainless steel / Polished / brushed	505470.00	White / Matt chrome finish / Matt chrome finish	505470.85
Polished chrome finish / matt / Polished chrome finish	505470.65	Black / Polished chrome finish / Black	505470.84
White / Polished chrome finish / White	505470.83	Matt chrome finish / Polished chrome finish / Matt chrome finish	505470.68
White / Gold-plated / White	505470.66		

- With front panel
- With mounting frame
- With pneumatic valve

Suitable for the following elements:

647572, 647584, 214712, 214713, 523623, 543131, UR3-85-59

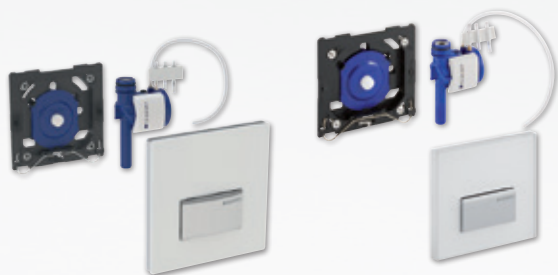


# Flushing systems urinal

## Geberit urinal flush control, flush button type 50

with pneumatic flush actuation

Spezialanfertigung



Design	Ref. no.	Design	Ref. no.
White alpine, Zinc die casting, Plastic	505471.00	Glass lava, Zinc die casting, Glass	505471.04
Chrome brushed, Zink die casting, Chromed brass	505471.01	Glass sand grey, Zinc die casting, Glass	505471.05
Deep black RAL 9005, Zinc die casting, Plastic	505471.02		
Smoked glass mirrored, Zinc die casting, Glass	505471.03		

- With front panel
- With mounting frame
- With pneumatic valve

Suitable for the following elements:

647572, 647584, 214712, 214713, 523623, 543131, UR3-85-59



## Geberit urinal flush control, flush button type 50

with pneumatic flush actuation



Design	Ref. no.
White alpine, Plastic	505474.00
Matt chrome finish, Plastic	505474.50

- With front panel
- With mounting frame
- With pneumatic valve

Suitable for the following elements:

647562, 214702, 523613, UR3-87-59



03 – 15      **Santro** Pre-planked prewall system



17 – 47      **BS+** Dry construction system



49 – 52      **my move elements** Electrically height-adjustable



53 – 57      **Kombiset** Wet construction system



59 – 70      **Flush buttons**



71 – 86      **Flushing systems**



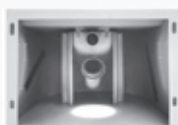
88 – 89      **Pondus XL** Floor-standing WC incl. seat for obese people



# Pondus XL

Floor-standing WC incl. seat for obese people

## Floor-standing WC type „Pondus XL“ incl. seat for obese people



view from behind



view from above

Design

Ref. no.

840400

- Special size designed for obese people
- For wall and floor mounting
- Side inspection openings for concealed installation
- Extra large seat made of white plastic
- Flush volume 6 litres, according to EN 997
- Horizontal outlet
- Washdown WC
- Robust stainless steel Thickness: 2.0 mm
- Epoxy-coated surface, white

### Dimensions:

W 610 x D 736 x H 483 mm (height incl. seat)

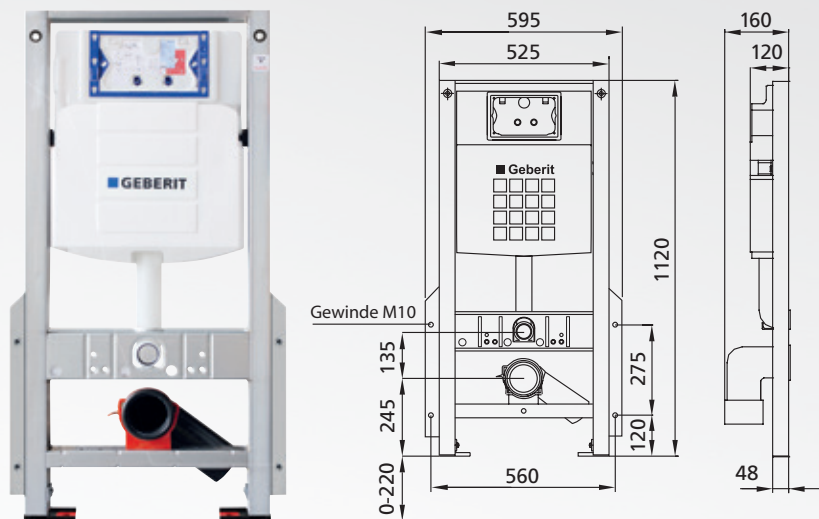
### Technical data:

WC tested up to 907 kg

WC seat tested up to 544 kg



## BS+ WC element Pondus XL with Geberit concealed cistern Sigma



Design	Ref. no.
	211490.00

- Galvanised, self-supporting and sound-insulated steel construction
- WC ceramic fixings 180 and 230 mm
- Connection bend made of PE-HD, DN 90 mm incl. transition sleeve made of PE-HD, DN 90/110 mm
- Wall-mounted WC connection set
- Built-in, condensation-insulated concealed cistern
- Building protection for inspection opening
- Building plug for inlet and outlet pipe
- All fixing and installation accessories
- Adjustable foot supports up to max. 0-220 mm
- Cistern connection bracket (exception 211 009.99) and integrated or separate angle valve
- Operation from the front

Dimensions: W / H / D 525 / 1120 / 160 mm (with drain)  
Suitable for standard wall-hung WCs.

incl. premium wall bracket

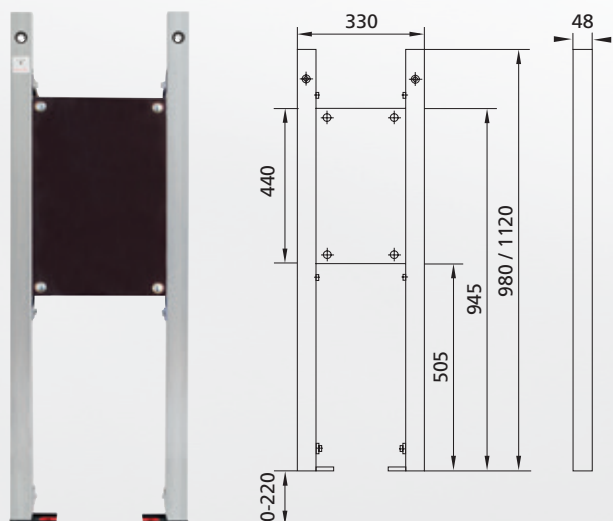


**New version**

- 2 sound-decoupled wall supports M10
- All mounting and assembly accessories
- 2 Support brackets



## BS+ element for support and grab rails, barrier-free



Design	Ref. no.
	240025

For holding, supporting and folding handles etc.  
For installation in a stud wall in accordance with DIN 18183 or in conjunction with accessory set art. no. 240 008 as an individual element in a pre-wall installation.

- Galvanised, self-supporting and sound-insulated steel construction
- Built-in mounting plate made of laminated wood (250 mm high, 30 mm thick) for individual fastening of heavy loads
- All fixing and installation accessories
- Adjustable foot supports up to max. 0-220 mm

Dimensions: W / H / D 330 / 980 or 1120 / 50 mm

incl. premium wall bracket



**New version**

- 2 sound-decoupled wall supports M10
- All mounting and assembly accessories
- 2 Support brackets





**burda**  
Sanitärtechnik

Herbert Burda GmbH  
Krefelder Straße 87  
40549 Düsseldorf

tel. +49 211 95001-0  
fax. +49 211 500575

[www.burda-online.com](http://www.burda-online.com)