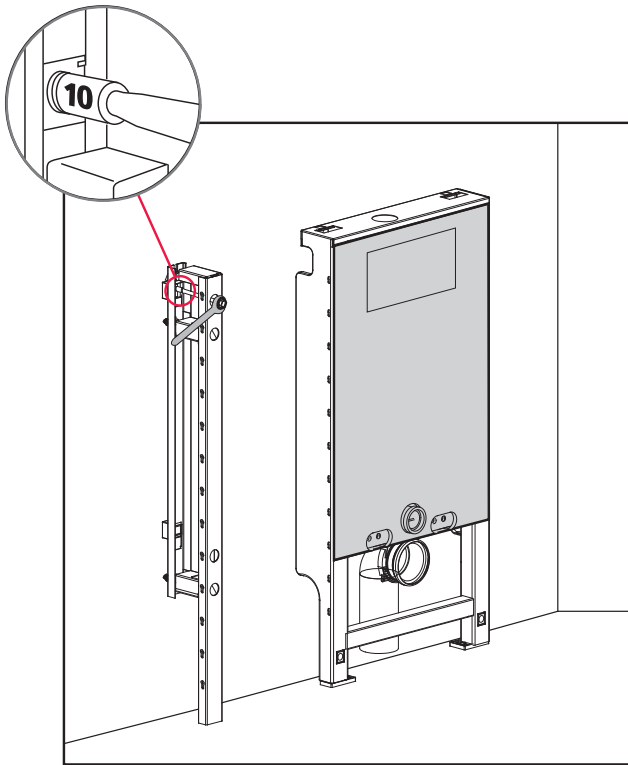
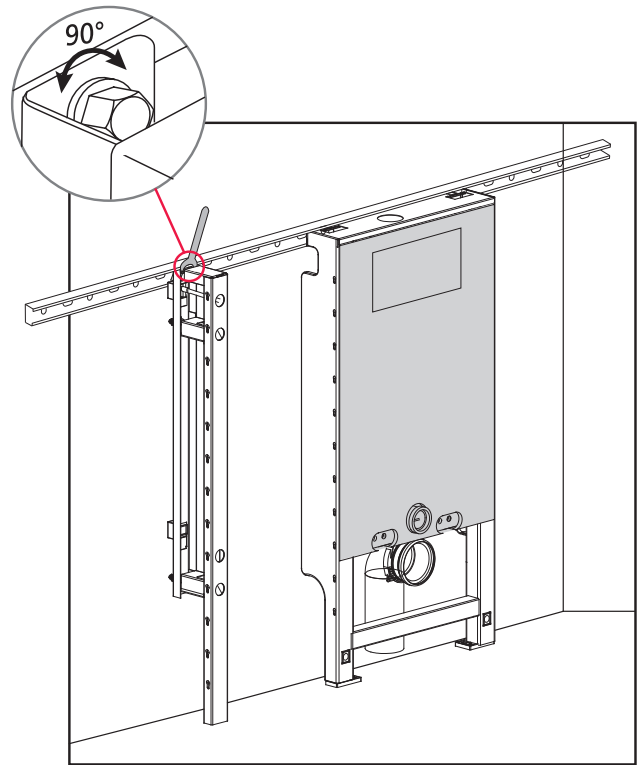


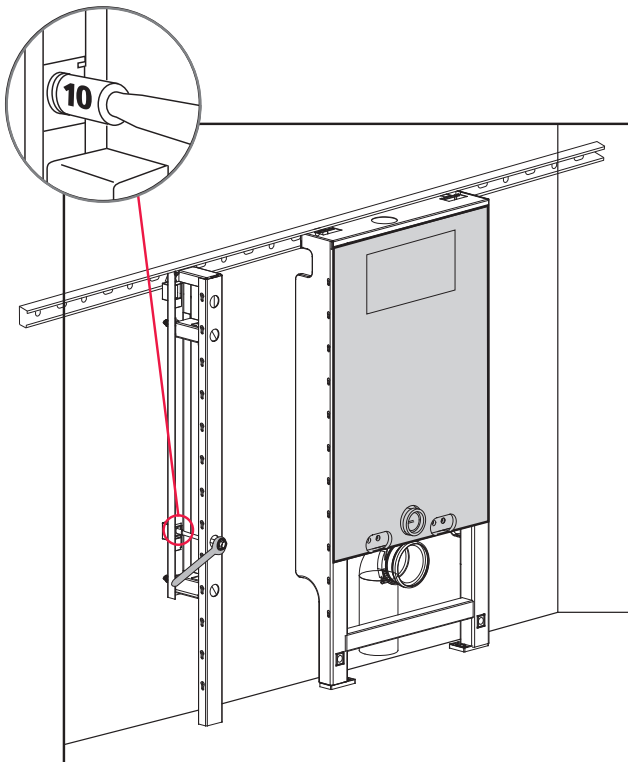
SANTRO Intermediate support



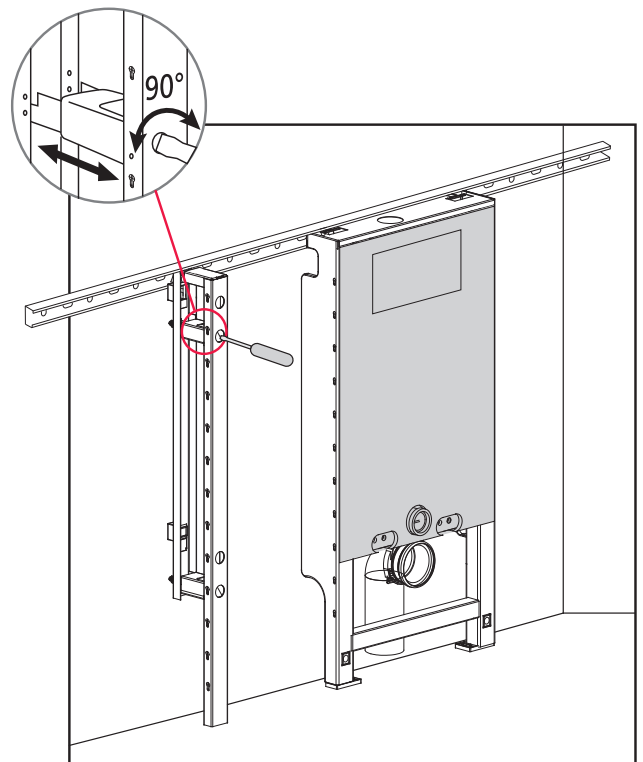
1a) without wall mounting rail
Upper intermediate beam fastening to wall with enclosed fixing material



1b) with wall mounting rail
Upper intermediate beam attachment to wall mounting rail, turn spanner 90° to the right



2) Lower intermediate support attachment to wall with enclosed fixing material



3) Turn the internal red screws 90° to the left, align depth, turn screw 90° to the right to tighten