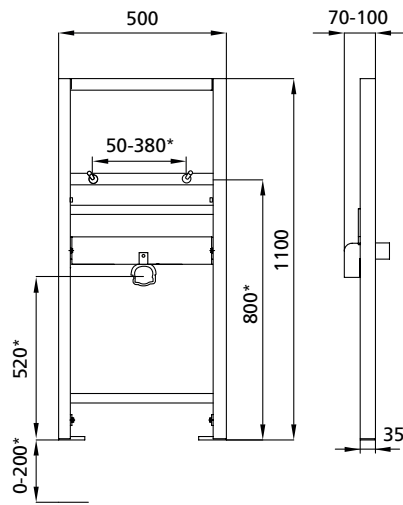


M-Tec washstand element



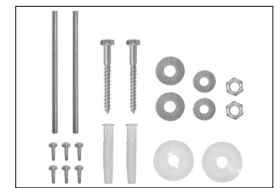
washstand element



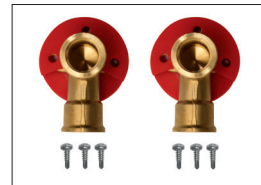
* Infinitely adjustable



Wall mounting set



Element and washstand fastening material



Sound insulation underlays for wall brackets with or without wall discs



PE Ablaufbogen DN 50, mit Gumminippel 32 mm, 90°

Installation note

Frame mounting

- ❶ Pay attention to the metre plan. This refers to the upper edge of the finished floor (OKFF).
- ❷ Loosen the two screws on the bottom inside of the element and extend the feet to the desired height. Tighten the two screws again. The element is levelled in depth.
- ❸ If necessary, the wall mounting set is attached to the element beforehand. The wall mounting set is fastened to the required depth using a spanner. Then mark the fixing points and mount the element using the screws and dowels supplied.
- ❹ Check the horizontal and vertical positions and all screw connections once again.
- ❺ When installing the panel in a stud wall, ensure that the panel is flush with the stud wall at the front. The panel must be screwed to the stud wall every 25-30 cm from the side.

Washstand installation

- ❻ Before installing the washstand and before panelling, the element must be adjusted to the connection dimensions specified by the ceramic manufacturer!
To mount the washstand, the M 10 threaded rods must be screwed into the sliding nuts provided. Then move the threaded rods to the required dimension and fix them.
The height of the drain traverse can be adjusted as required.
The red wall disc underlays can be mounted from 80 mm to 150 mm.

Panelling

For structural reasons, the panelling must be 2-ply with 12.5 mm or 1-ply with 18 mm moisture-proof plasterboard!

Washstand element

