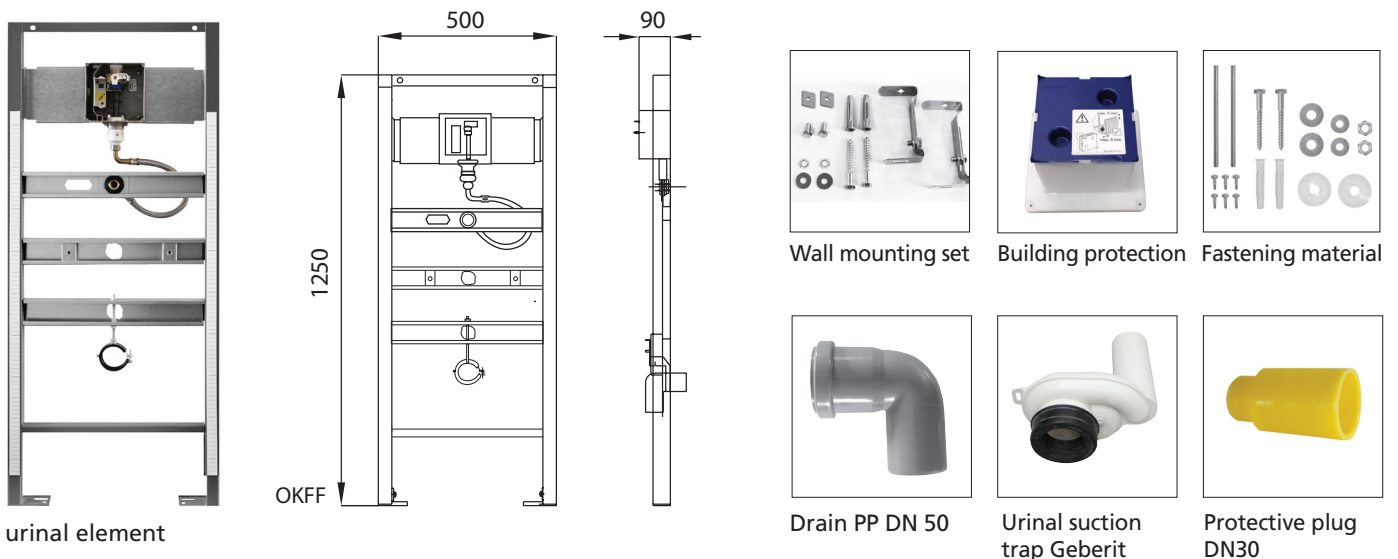


M-Tec urinal element



Installation note

Frame mounting

Firstly, the frame feet supplied must be fitted to the frame and screwed on by hand. The frame is levelled horizontally with the spirit level at the top edge of the frame. To do this, unscrew the two screws on the bottom inside of the frame and extend the feet to the desired height. The two screws are then tightened again.

The frame is then aligned in depth. The wall anchors are screwed to the frame and extended to the desired frame depth. Then tighten the lock nut by hand. The frame is then levelled vertically using the spirit level and all nuts are tightened securely. The holes for the wall and floor fixings are then marked.

The frame is removed from the wall so that drilling, dowelling and drainage can be carried out.

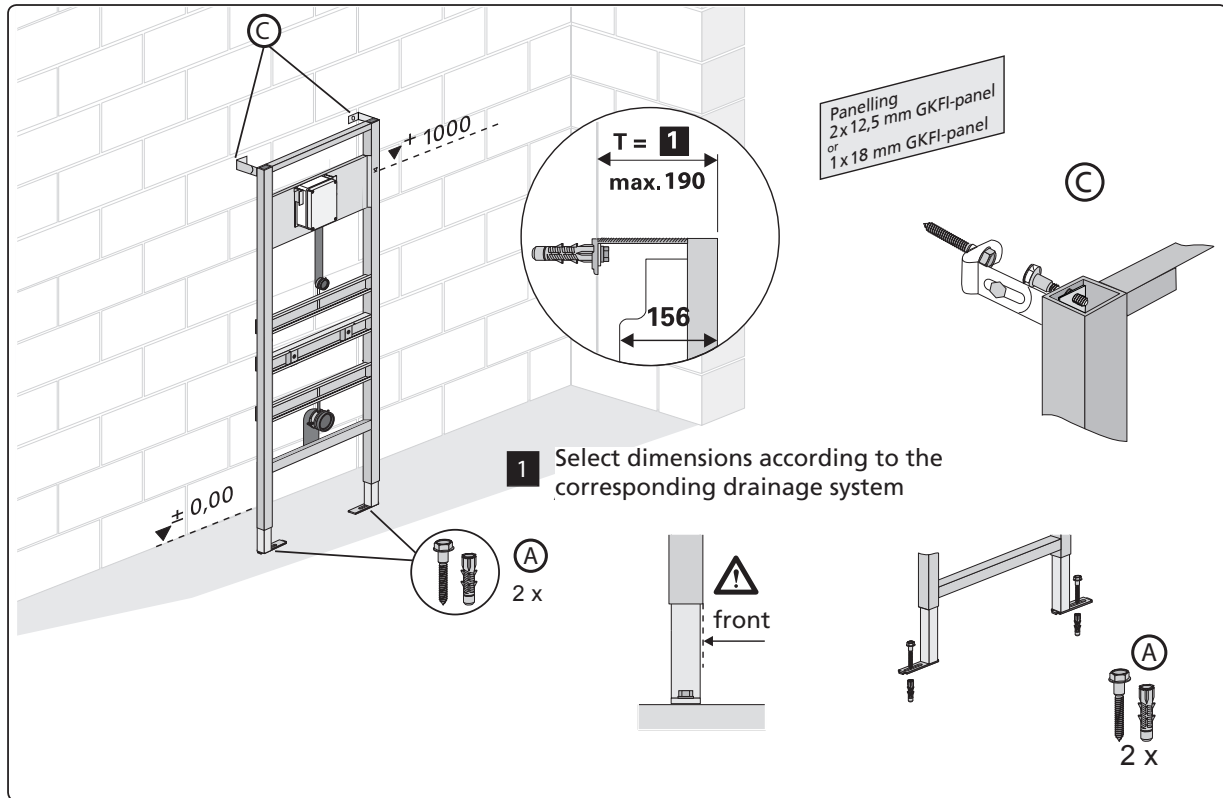
Now attach the frame to the wall and check the height, horizontal and vertical position and all screw connections once again.

Urinal frame installation

The traverses must be adjusted to the dimensions of the ceramic specified by the manufacturer. The two M 8 threaded rods must be screwed in to secure the urinal to the frame. Please refer to the enclosed products for further installation instructions. A prefabricated kit (Geberit Hytronic or Hytouch) must be purchased separately.

M-Tec urinal element

1. Mounting on a pre-wall



2. Installation in a metal stud wall

