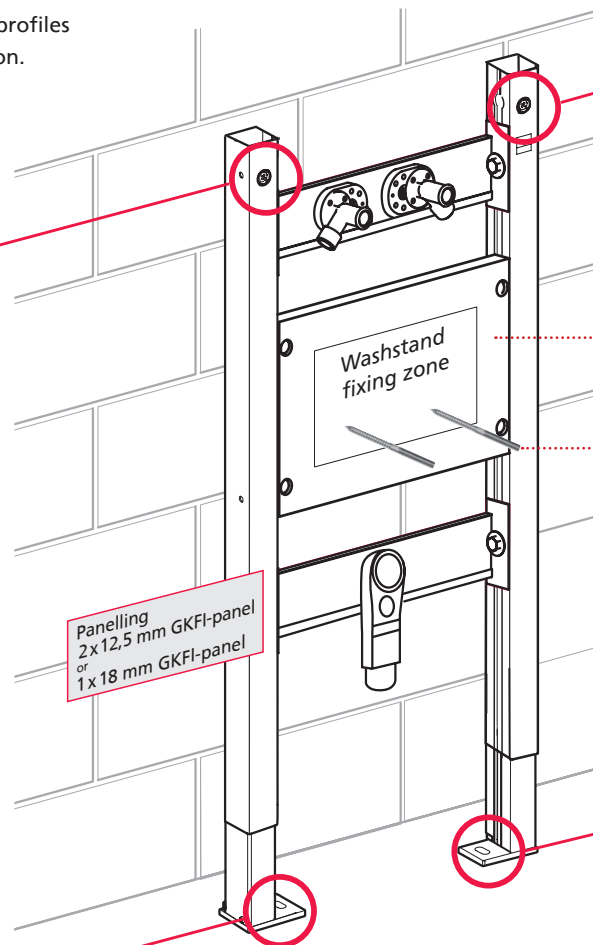
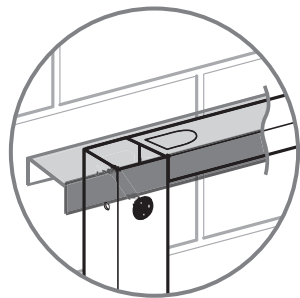


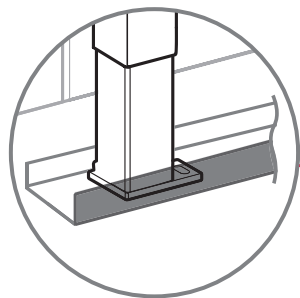
Installation instructions BS+ Washstand barrier-free for wall fitting with concealed trap

Mounting on the pre-wall

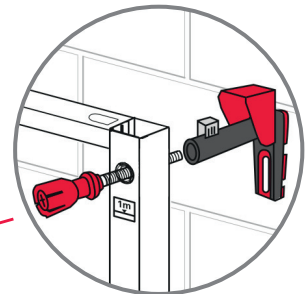
To produce the planking support can be installed with UW drywall profiles profiles by simply plugging them on.



Panelling
2x12,5 mm GKFI-panel
or
1x18 mm GKFI-panel



Use of a UW drywall profile as a floor rail facilitates the professional drywall panelling.

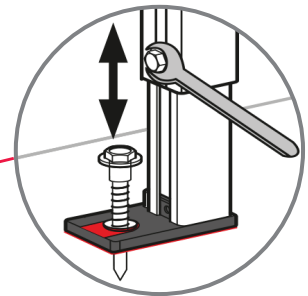


Push the threaded rod through the drill hole into the wall bracket until it clicks, align the depth of the wall bracket and secure with the clamp

Waterproof glued multilayer board

Fastening the washstand fastening bolts with a 10 mm spanner

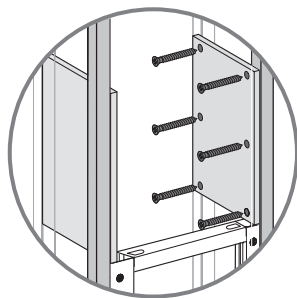
Feet max. 220 mm extendable



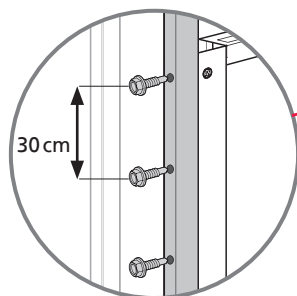
Note: Before fitting the element to the corresponding dimensions of the ceramic manufacturer before installation. Use a 13 mm spanner to fasten.

Installation instructions BS+ Washstand barrier-free for wall fitting with concealed trap

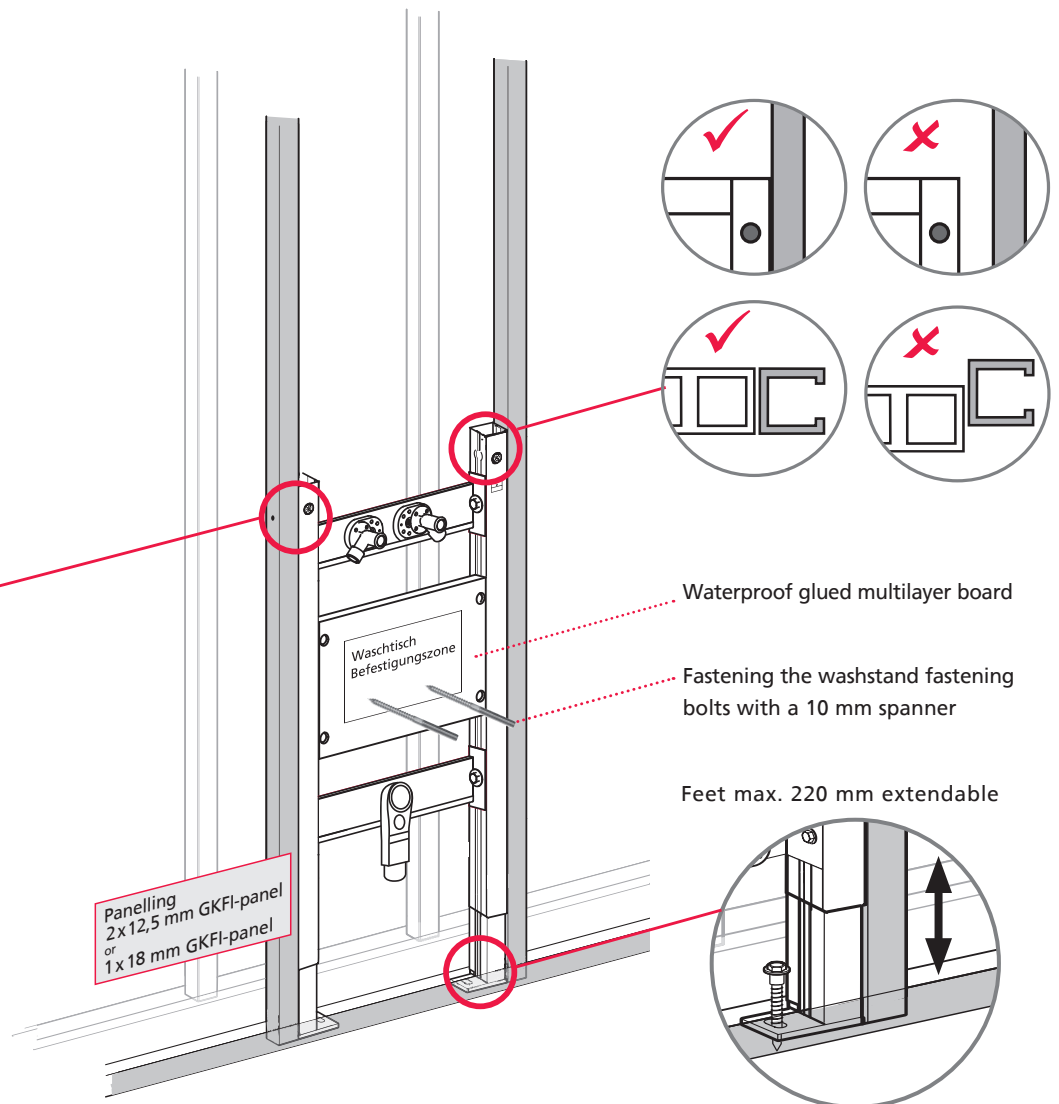
Mounting in the stud wall



Insert stabilising plates



Screw the mounting element to the vertical drywall profiles.



Panelling
2x 12,5 mm GKFI-panel
or
1x 18 mm GKFI-panel

Waterproof glued multilayer board

Fastening the washstand fastening bolts with a 10 mm spanner

Feet max. 220 mm extendable

Note: Before fitting the element to the corresponding dimensions of the ceramic manufacturer before installation. Use a 13 mm spanner to fasten