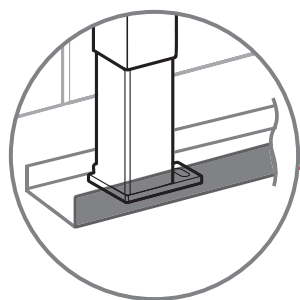
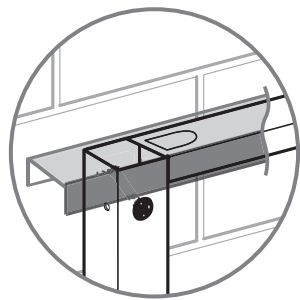


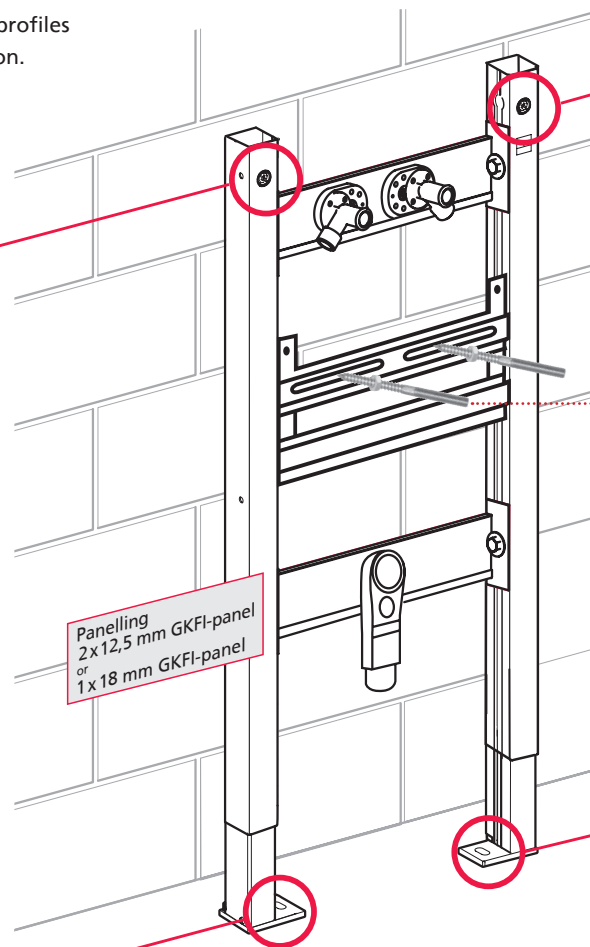
Installation instructions BS+ Washstand barrier-free for wall fitting with concealed trap

Mounting on the pre-wall

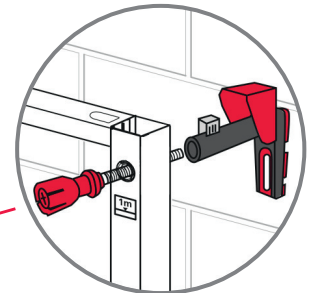
To produce the planking support can be installed with UW drywall profiles profiles by simply plugging them on.



Use of a UW drywall profile as a floor rail facilitates the professional drywall panelling.



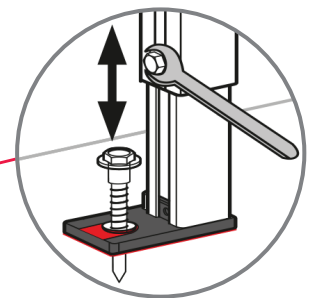
Panelling
2x12,5 mm GKFI-panel
or
1x18 mm GKFI-panel



Push the threaded rod through the drill hole into the wall bracket until it clicks, align the depth of the wall bracket and secure with the clamp.

Fastening the washstand fastening bolts with an M10 nut

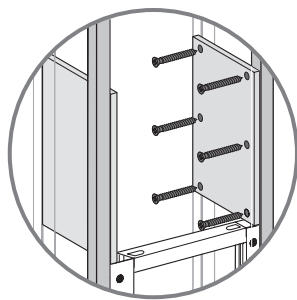
Feet max. 220 mm extendable



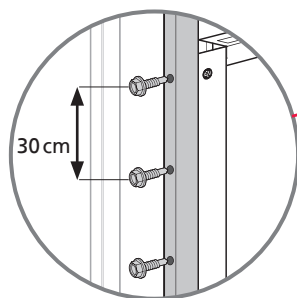
Note: Before fitting the element to the corresponding dimensions of the ceramic manufacturer before installation. Use a 13 mm spanner to fasten.

Installation instructions BS+ Washstand barrier-free for wall fitting with concealed trap

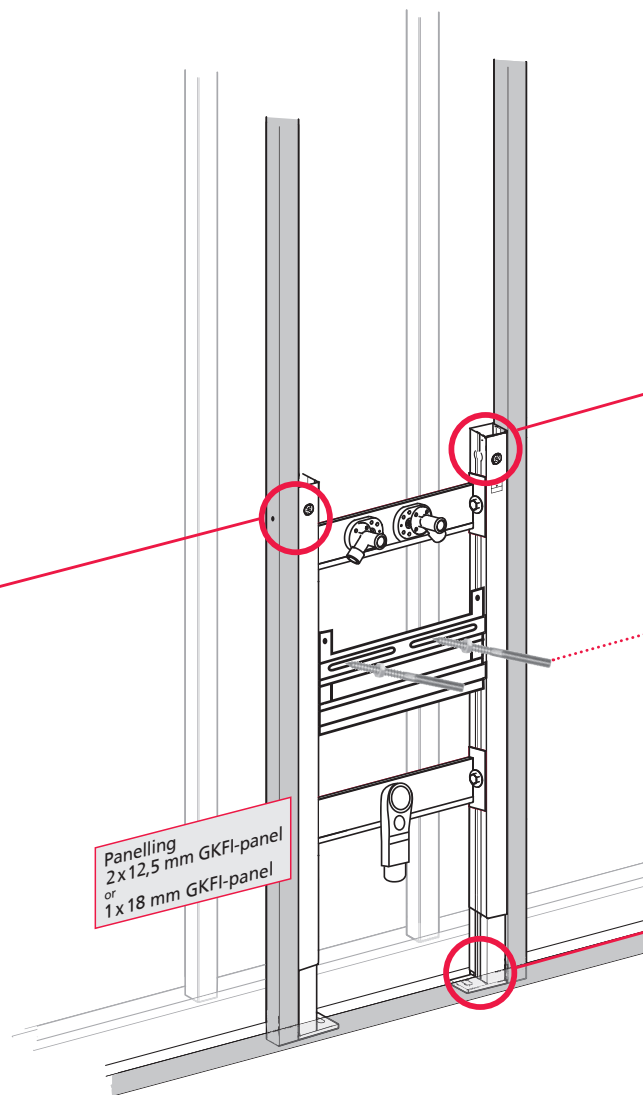
Mounting in the stud wall



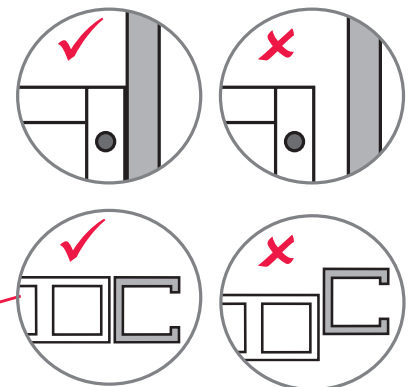
Insert stabilising plates



Screw the mounting element to the vertical drywall profiles.

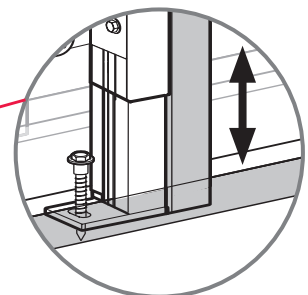


Panelling
2x 12,5 mm GKFI-panel
or
1x 18 mm GKFI-panel



Fastening the washstand fastening bolts with an M10 nut

Feet max. 220 mm extendable



Note: Before fitting the element to the corresponding dimensions of the ceramic manufacturer before installation. Use a 13 mm spanner to fasten