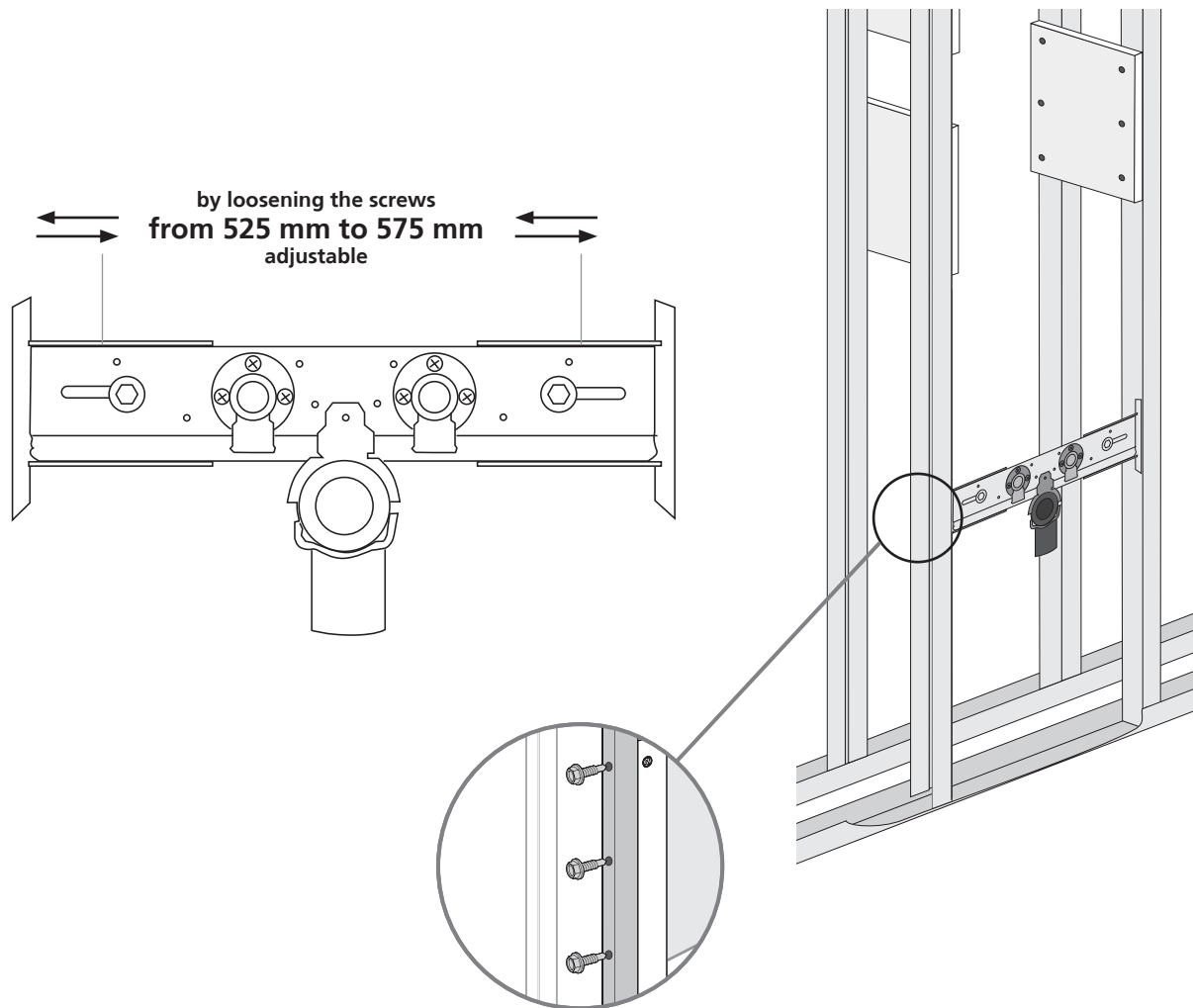


Installation instructions BS+ traverse for kitchen sink

item no. 216 100



relocatable

