

my move

WT comfort



Barrier-free washstand systems with electric height adjustment for on-site washstand



Features:

Self-supporting drywall element made of powder-coated, self-supporting steel construction for wall and floor mounting incl. fixing material. (sound-decoupled with premium wall bracket) for floor structures 0-20 cm with prefabricated internal drinking water and waste water pipework, as well as the internal electrical wiring

Scope of delivery:

- Drywall element
- Concealed washstand trap
- 2 wall discs
- Glass top RAL 9003, signal white, W/H 700 x 1000 mm
- with radio remote control for automatic height adjustment
- Fibre-reinforced, core-impregnated plasterboard front (2-ply) with all standard openings for on-site tiling

Technical data:

- Washstand attachment 280 mm
- Washstand 30 cm height-adjustable

Connections:

Electrical connection: via Schuko plug (230 V AC, 50-60 Hz)
Waste water connection: DN 50
Drinking water and hot drinking water connection: R1/2"

Optionally available at an extra charge:

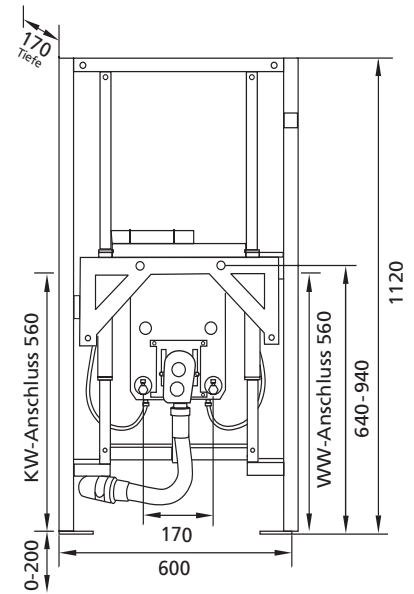
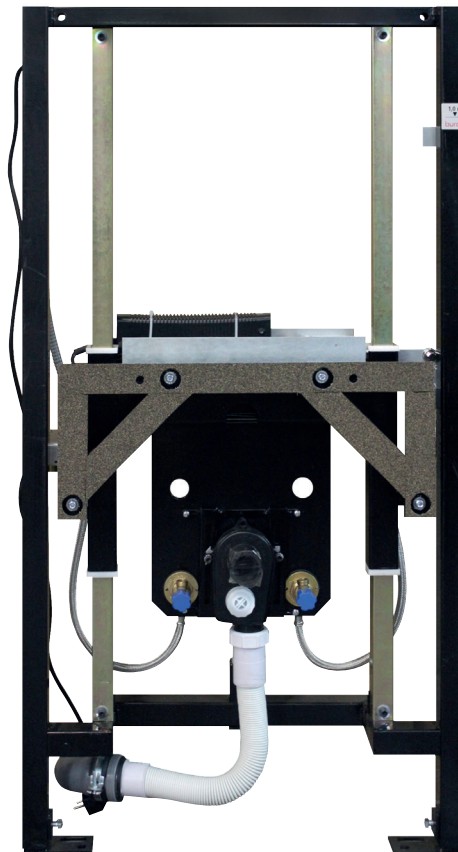
See overleaf for list



View without integrated mirror

Burda my move washstand comfort
Dimensions: W / H / D: 600 / 1120 / 170 mm
item no. 270501

Technical details my move WT comfort



Optionally available at an extra charge:

- Individual glass panel colour according to RAL 270505
- Glass top with mirror,
Total W/H 700 x 1450 mm, mirror W/H 700 x 690 mm 270506
- Glass top with mirror,
Total W/H 700x1630mm, mirror W/H 700x870mm 270513
- Cladding for individual installation, RAL Classic colours 270508
- Cladding for individual installation, RAL design colours 270515
- External "up/down" button 270516