

BS+ Washstand element for water meter and flush-mounted shut-off valve

for drywall construction, offers installers and planners the option of using pre-assembled units.

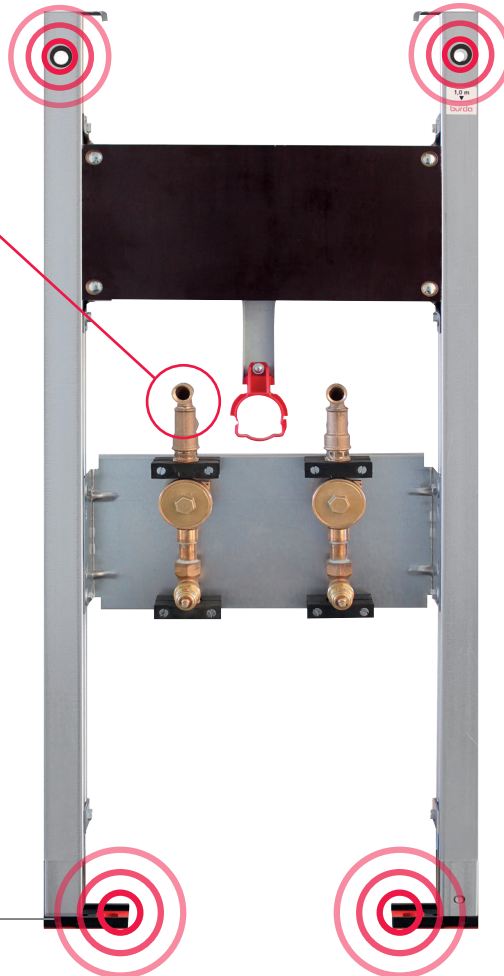
Sound-insulated with premium wall bracket for pre-wall mounting



Sound insulation DIN 4109

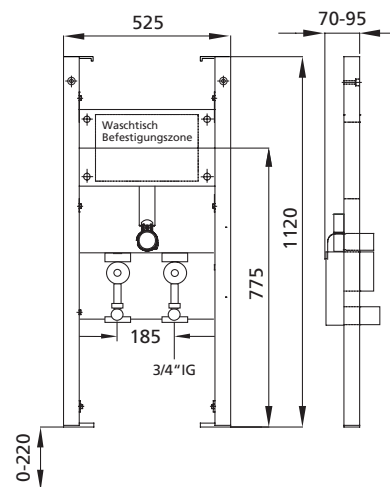


1/2" internal thread front
3/4" internal thread back



- Made of galvanised, self-supporting and sound-decoupled steel construction,
- With mounting plate for variable washstand mounting,
- With swivelling siphon elbow DN 50,
- With all installation accessories for unit and washstand,
- 2 concealed fitting combinations
Gunmetal water meter shut-off valves, incl. extension with 1/2" internal thread for the connection of washstand angle valves, incl. insulation; gunmetal in accordance with DIN-EN 1982 and DIN 50930 Part 6, EPDM sealing elements (KTW, W270 tested). 2 flush-mounted single-pipe connectors for MTK/MTW-NG (2" EAS KOAX) incl. dummy cover and seal set.

Sound-decoupled, pull-out plastic feet



Optional
Sound-decoupled premium wall bracket for pre-wall mounting

item no. 240012



NEW

Optional
Pre-assembly set, chrome-plated for shut-off valves (set of 2 pieces)

item no. 960056



BS+ Washstand mounting unit

for water meter and concealed shut-off valve

item.-no. 212028.00