

# Santro

for the pre-panelled pre-wall installation

for the basic fit-out of small and large bathrooms  
for renovations or new builds

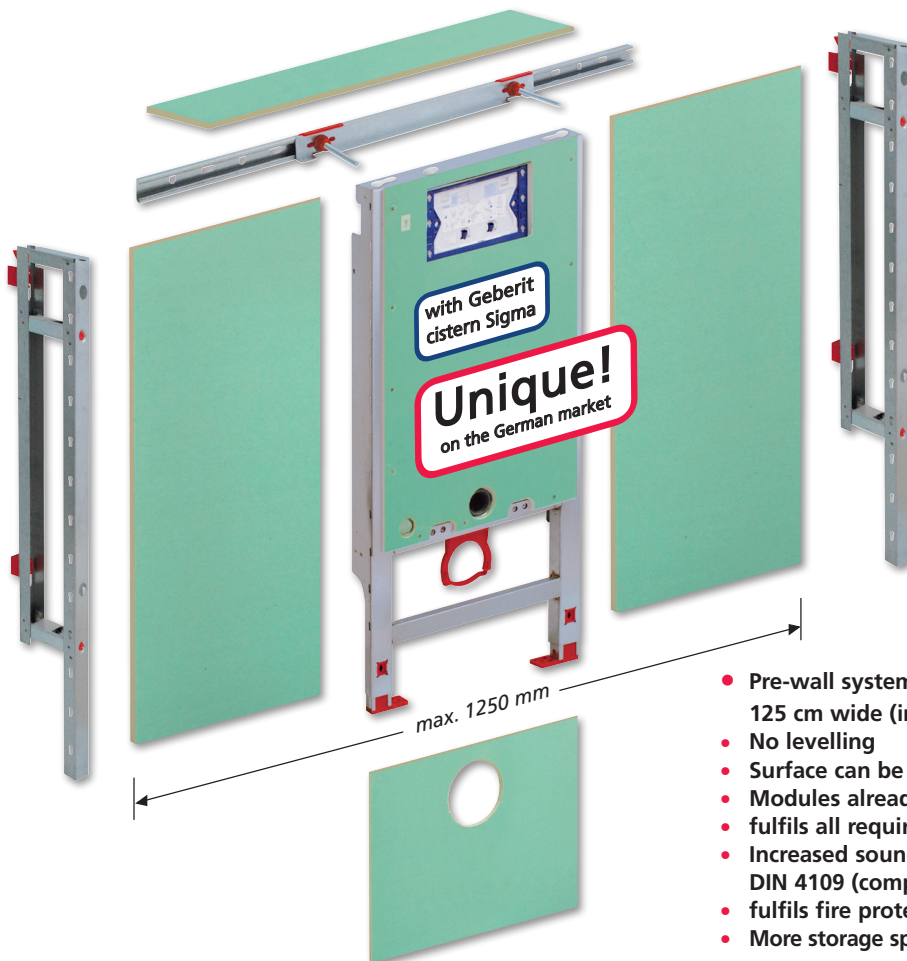
Why Santro pre-wall system?

- Quick and easy installation
- Simple planning (only one article no. 611 250)
- clean (no dirt/rubble/walls)

Already completely soundproofed ex works



Sound insulation  
DIN 4109



all toilets  
compatibel with Duravit Sensowash®

Geberit concealed cisterns  
compatible with Geberit AquaClean  
and Chute for cleaning cubes

- Pre-wall system with panelling up to 125 cm wide (incl. all standard openings)
- No levelling
- Surface can be tiled immediately
- Modules already pre-planned
- fulfils all requirements for VDI 4100
- Increased sound insulation in accordance with DIN 4109 (complete pre-wall soundproofed)
- fulfils fire protection standard DIN 4102
- More storage space possible with built-in furniture

Combination examples:



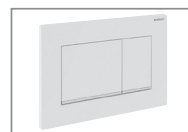
Geberit Sigma01  
item no. 551 030.xx



Geberit Sigma10  
item no.550 037.xx



Geberit Sigma20  
item no. 550 028.xx



Geberit Sigma30  
item no. 550 065.xx

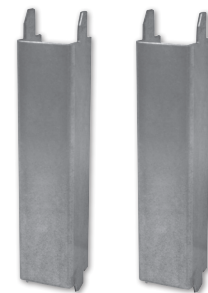
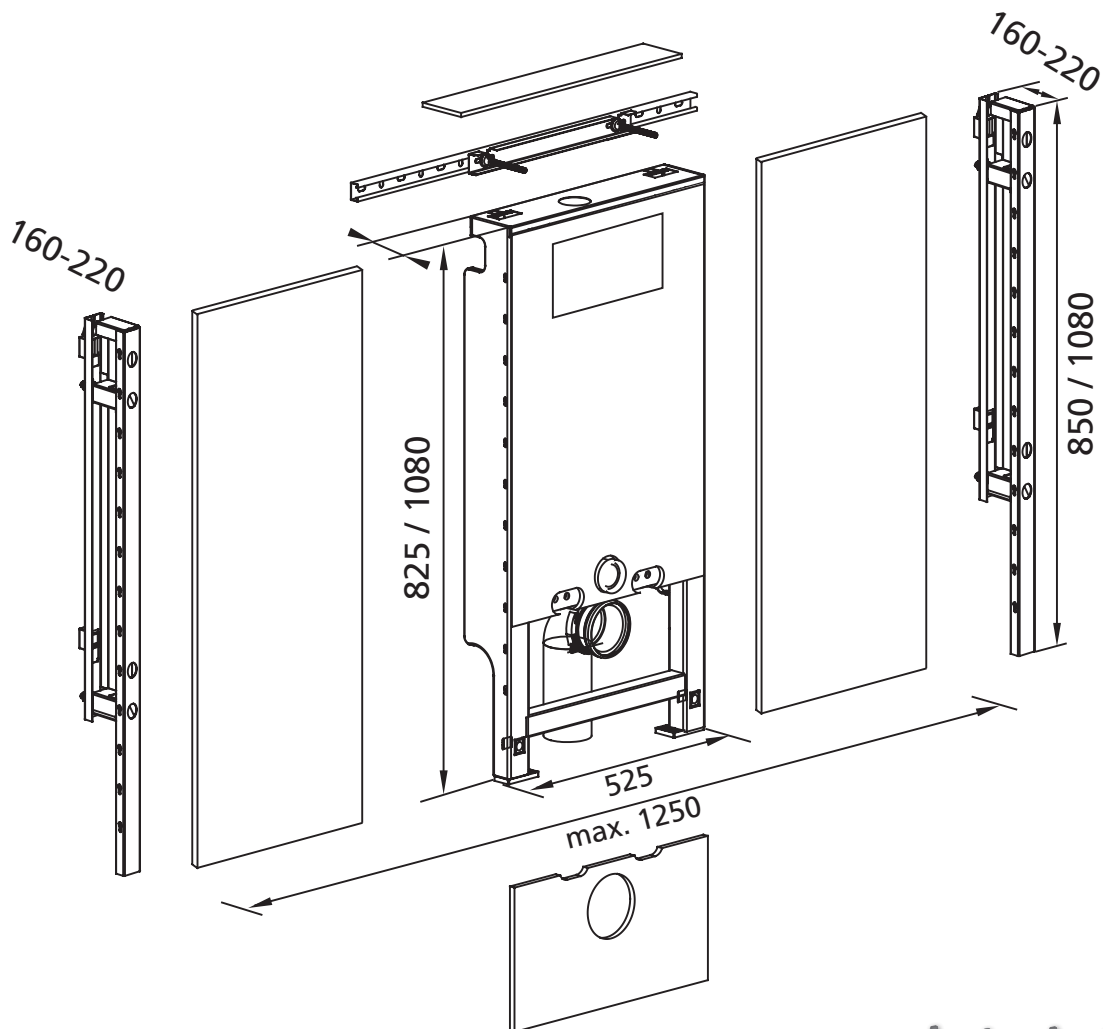


Geberit Sigma50  
item no. 550 027.xx



Geberit Sigma60  
item no. 550 067.xx

## Technical details Santro pre-wall system



**Note:**

WC Force bearing for additional support of WC ceramics with a support surface smaller than 17 cm (z. B. Flaminia, Sentique) **item no. 216 400**