

# Kombiset

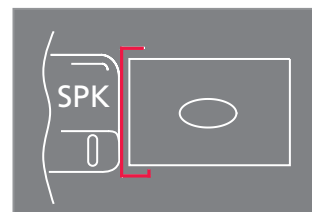
Mounting element for brickwork with concealed cistern Geberit Sigma

Design of the element frame as a frame (door)

- The masonry is thus integrated into the frame.
- The result is a force-fit connection of the entire element.
- Double safety thanks to 4-point attachment.



View from above



- Mounting units suitable for commercially available ceramic bodies
- Brick lining elements for WC, bidet, washstand and urinal
- with WC ceramic attachment, optionally with 180 mm or 230 mm distance
- Drain pipe can be installed both vertically and laterally when mounted with feet
- Complete mounting unit for wall mounting/pre-wall installation, galvanised
- Pre-assembled with concealed cistern Geberit, flush pipe and adjusted drain elbow
- Complete with fastening, screws, plugs and wall-mounted WC connection set
- Guaranteed stability thanks to support brackets in the fixing zone of the WC ceramic appliance
- Additional stability and friction-locked connection due to frame design

Kombiset WC Mounting element  
with concealed cistern Geberit Sigma  
item no. 511 109.00

all toilets  
compatible with Duravit Sensowash®

Geberit concealed cisterns  
compatible with Geberit AquaClean and  
Discharge chute for cleaning cubes

Combination examples:



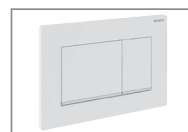
Geberit Sigma01  
item no. 551 030.xx



Geberit Sigma10  
item no. 550 037.xx



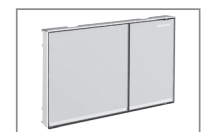
Geberit Sigma20  
item no. 550 028.xx



Geberit Sigma30  
item no. 550 065.xx

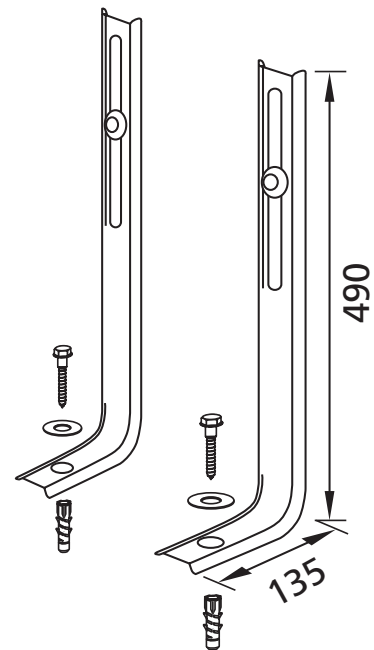
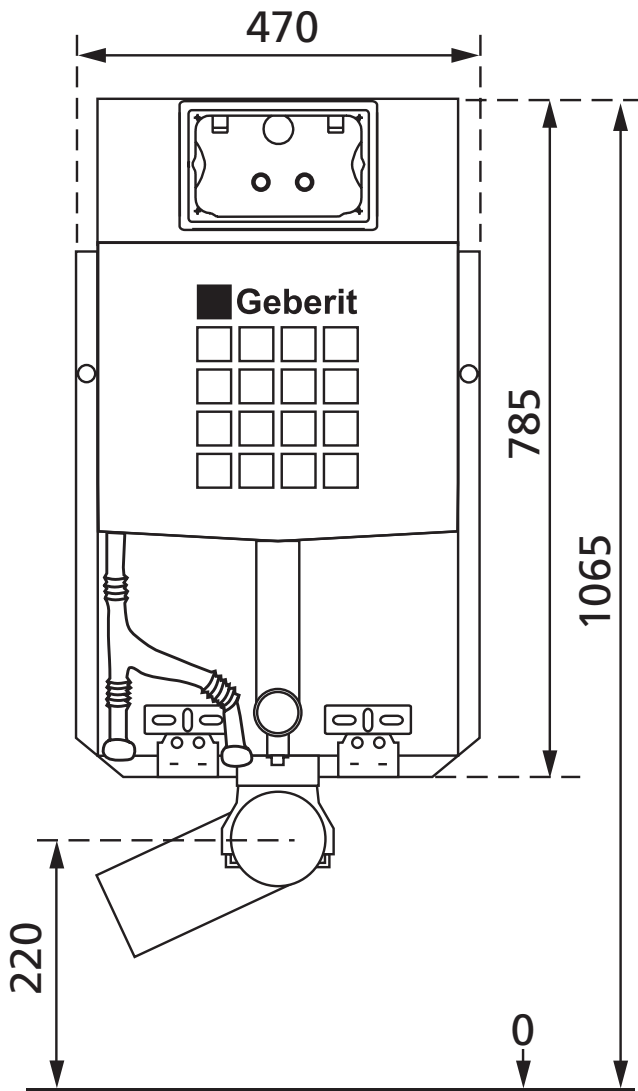


Geberit Sigma50  
item no. 550 027.xx



Geberit Sigma60  
item no. 550 067.xx

## Technical details Kombiset WC-Mounting element



### Optional: Support brackets

Installation aid for free-standing installation of the Kombiset WC elements or to support the load of the WC ceramics. **item no. 550 039**