

Kombiset

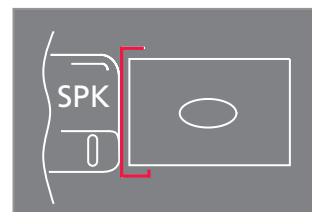
Mounting element for brickwork with concealed cistern K770

Design of the element frame as a frame (door)

- The masonry is thus integrated into the frame.
- The result is a force-fit connection of the entire element.
- Double safety thanks to 4-point attachment.



View from above



- Mounting units suitable for commercially available ceramic bodies
- Brick lining elements for WC, bidet, washstand and urinal
- with WC ceramic attachment, optionally with 180 mm or 230 mm distance
- Drain pipe can be installed both vertically and laterally when mounted with feet
- Complete mounting unit for wall mounting/pre-wall installation, galvanised
- Pre-assembled with concealed cistern K770, flush pipe and adjusted drain elbow
- Complete with fastening, screws, plugs and wall-mounted WC connection set
- Guaranteed stability thanks to support brackets in the fixing zone of the WC ceramic appliance
- Additional stability and friction-locked connection due to frame design

Kombiset with concealed cistern K770
itrm no. 511114.00

all toilets
compatible with Duravit Sensowash®

Combination
examples:



item no. T784



item no. T787



item no. T789



item no. T791



item no. T798



item no. T785



item no. T788

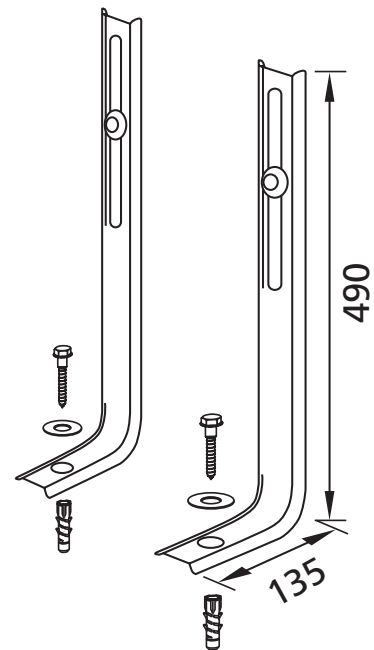
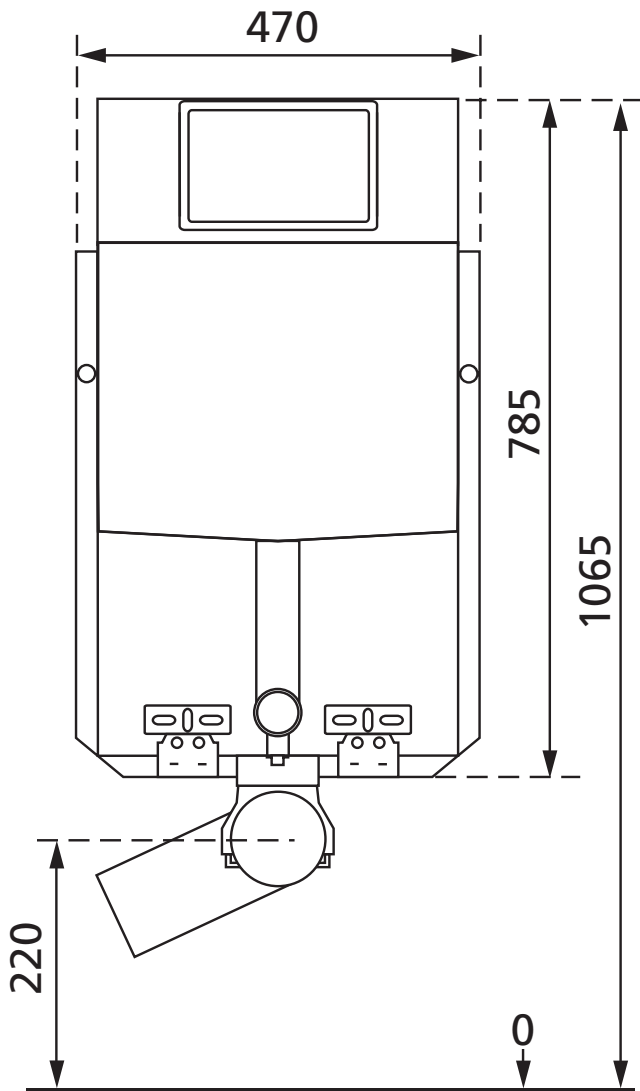


item no. T790



item no. T795

Technical details Kombiset WC-Mounting element



Optional: Support brackets

Installation aid for free-standing installation of the Kombiset WC elements or to support the load of the WC ceramics. **item no. 550 039**