

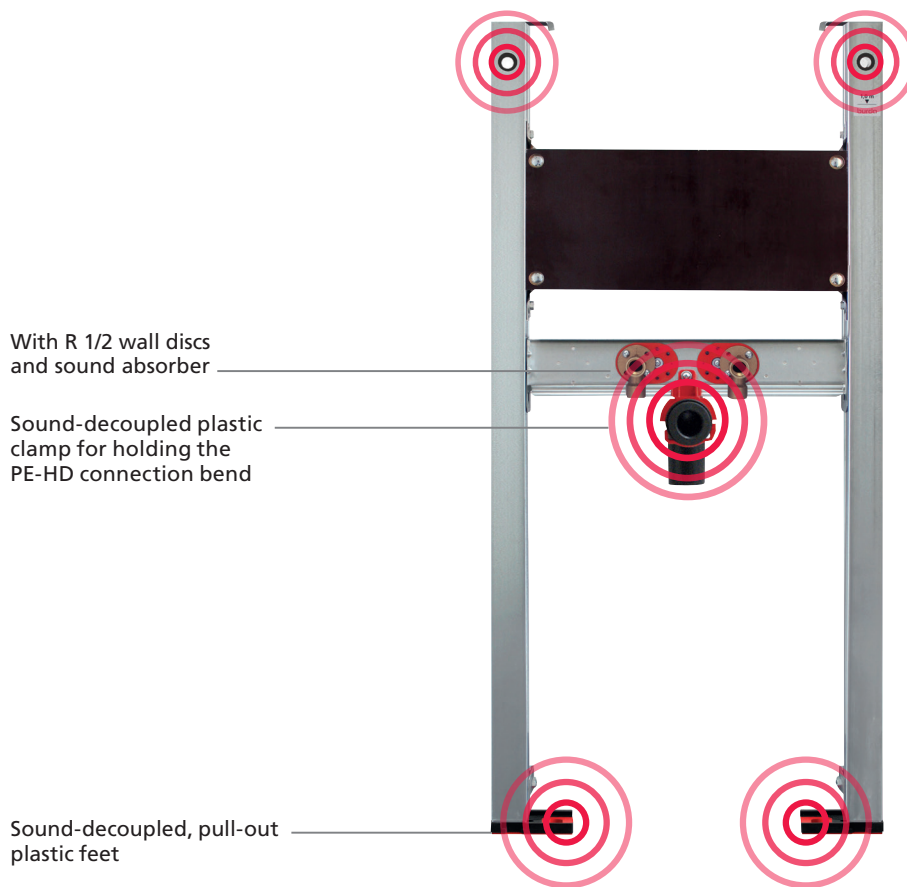
BS+ Washstand mounting unit for floor-mounted fitting

for drywall construction, offers installers and planners the option of using pre-assembled units.

Sound-insulated with premium wall bracket for pre-wall mounting



Sound insulation DIN 4109



With R 1/2 wall discs
and sound absorber

Sound-decoupled plastic
clamp for holding the
PE-HD connection bend

Sound-decoupled, pull-out
plastic feet

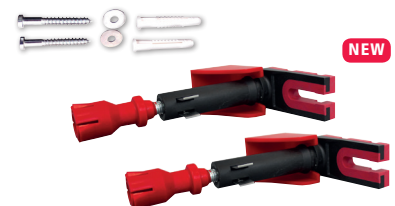
- The elements consist of 48 mm wide profiles, so they can be perfectly installed in a 50 mm plasterboard stud wall.
- Thanks to their generous profile width the GKFI construction panels can be easily aligned to butt joints and comfortably with a distance to the edge - this provides additional safety, saves time and prevents material break-out.
- Fastening the building boards without pre-drilling
- Sound decoupling as standard integrated (all red plastic parts)
- Panel feet 220 mm as standard extendable
- High corrosion protection thanks to sendzimir galvanised elements.
- 4-point fastening
- All current standards are complied with (e.g. DIN 4109 etc.)

BS+ Washstand mounting unit
item no. 212005.00

BS+ Washstand mounting unit without connections
item no. 212005.99

Optional

Sound-decoupled premium wall bracket
for pre-wall mounting
item no. 240012



Technical details BS+ Washstand mounting unit

