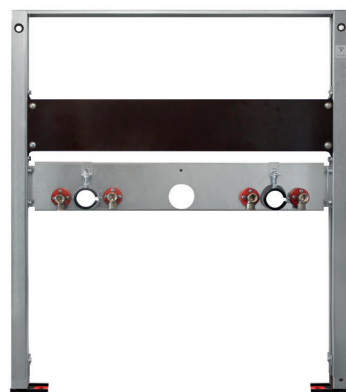


# BS+ in-line washstand element



Foto: Geberit



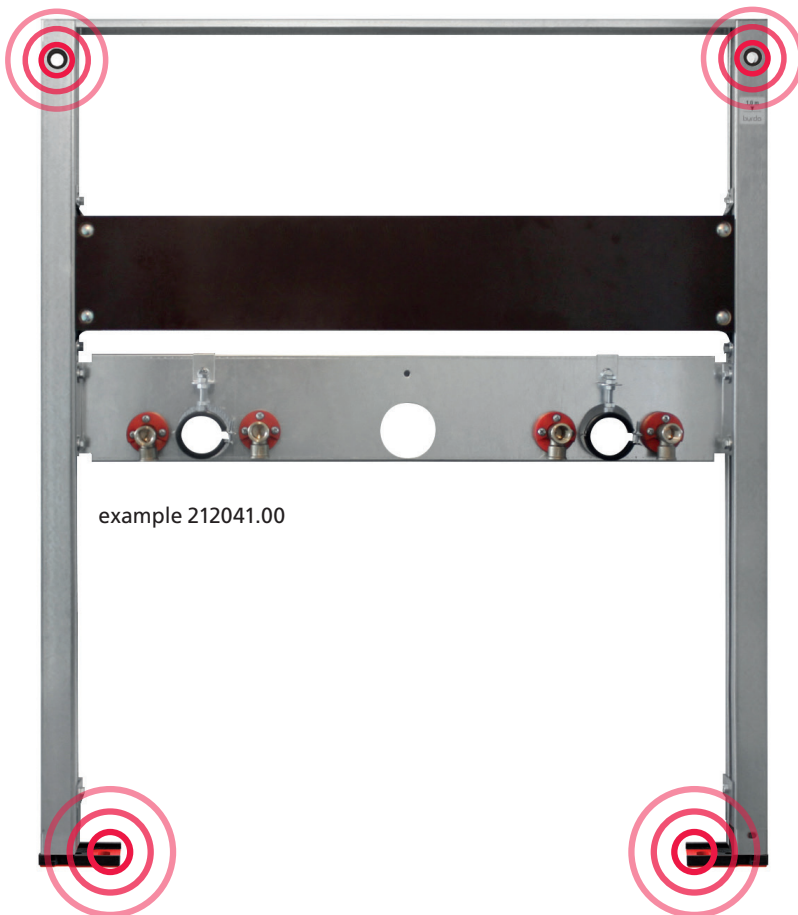
# BS+ in-line washstand element, 112 cm for floor-standing fitting

for drywall construction, offers installers and planners the option of using pre-assembled units.

Sound-insulated with premium wall bracket for pre-wall mounting

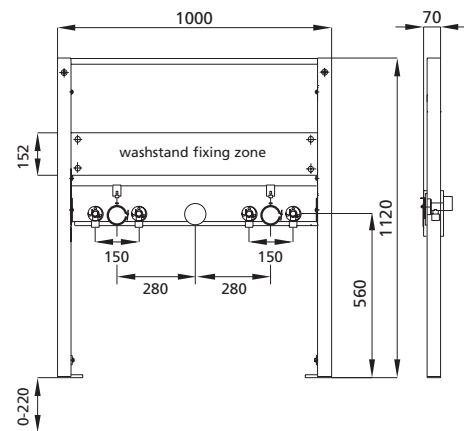


Sound insulation DIN 4109



example 212041.00

- The elements consist of 48 mm wide profiles, so they can be perfectly installed in a 50 mm plasterboard stud wall.
- GKFI building boards can be placed butt to butt
- Fastening the building boards without pre-drilling
- Sound decoupling as standard integrated (all red plastic parts)
- Element feet extendable by 220 mm as standard
- High corrosion protection thanks to sendzimir galvanised elements.
- 4-point fastening
- All current standards are complied with (e.g. DIN 4109 etc.)



## BS+ in-line washstand element, 112 cm for floor-standing fitting

universal, 2 places  
2 x floor-standing fittings, 1 x drain, centre  
W / H / D 1000 / 1120 / 70 mm (with waste pipe)

item no. 212040.xx

## BS+ in-line washstand element, 112 cm for floor-standing fitting

universal, 2 places  
2 x floor-standing fittings, 2 x drain  
W / H / D 1000 / 1120 / 70 mm (with waste pipe)

item no. 212041.xx

**Optional**  
Sound-decoupled premium wall bracket for pre-wall mounting



item no. 240012