

03 – 15

**Santro**

WC washstand sink page 06-08 page 09-10 page 10

bidet urinal Intermediate support page 11 page 11-12 page 13

Fitting plate Accessories page 14-15 page 15



17 – 47

**BS+** Dry construction system



49 – 52

**my move elements** Electrically height-adjustable



53 – 57

**Kombiset** Wet construction system



59 – 70

**Flush buttons**



71 – 86

**Flushing systems**

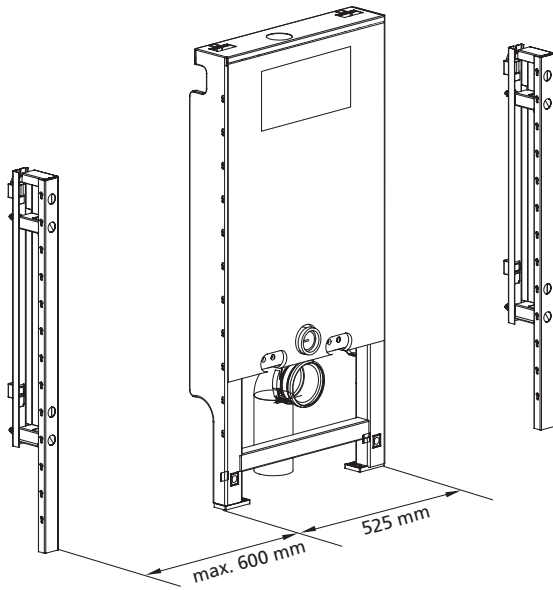


88 – 89

**Pondus XL** Floor-standing WC incl. seat for obese people

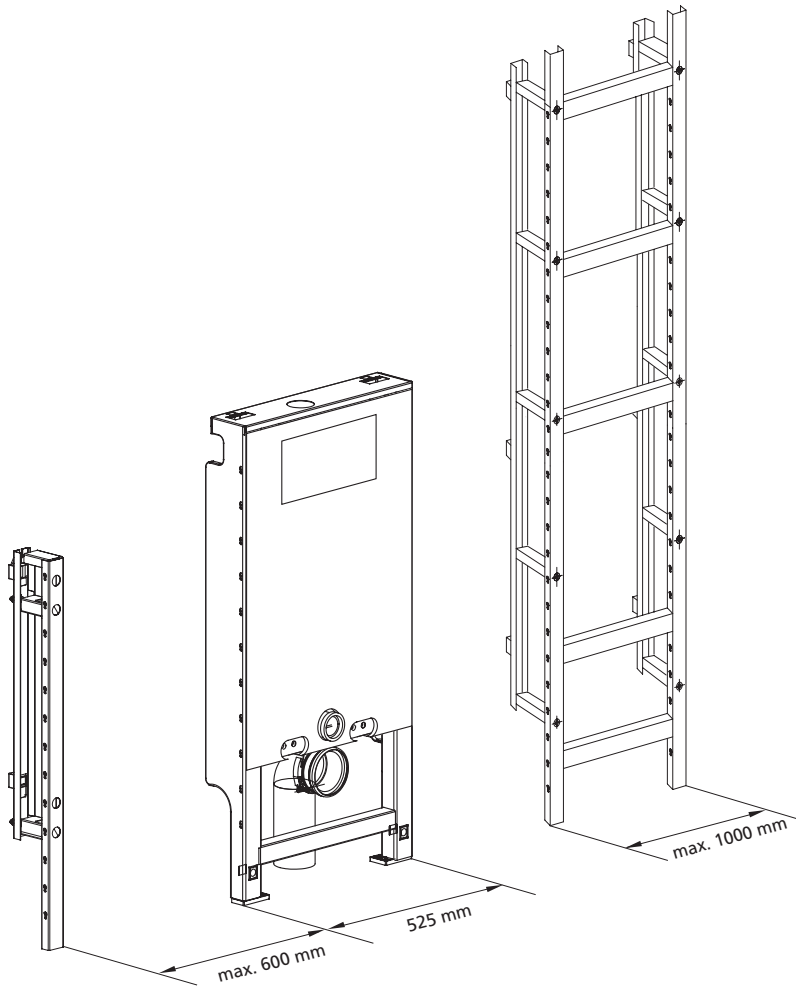


**Material requirement for the front wall installation of SANTRO**



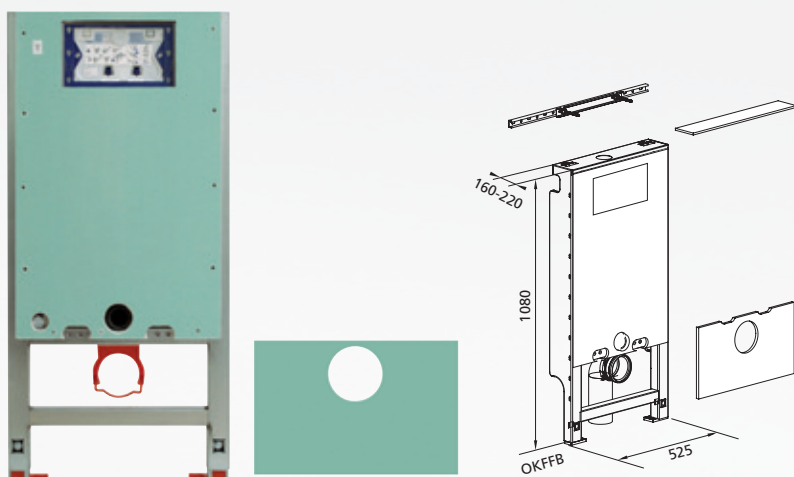
Number of modules	Front wall width upto 1080 mm	Front wall width upto 1600 mm	Front wall width upto 2200 mm	Front wall width upto 2800 mm	Front wall width upto 3400 mm
0	3 subcarrier 3 panels	4 subcarrier 4 panels	5 subcarrier 5 panels	6 subcarrier 6 panels	7 subcarrier 7 panels
1	2 subcarrier 1 panel	2 subcarrier 3 panels	3 subcarrier 3 panels	4 subcarrier 4 panels	5 subcarrier 5 panels
2		2 subcarrier 2 panels	2 subcarrier 3 panels	2 subcarrier 3 panels	4 subcarrier 4 panels

**Material requirement for the front wall installation of SANTRO**  
with nest element for pipelines, shower or bathtub



Number of modules	Front wall width 1200-2600 mm	Front wall width 2200-3600 mm
0	1 Nesting element 2 subcarrier 7 panels	1 Nesting element 3 subcarrier 8 panels
1		1 Nesting element 3 subcarrier 8 panels

## Santro Wall-WC module with concealed cistern



Design \_\_\_\_\_ Ref. no. \_\_\_\_\_

Geberit cistern Sigma  
with 2-quantity flush

Installation height 1080 mm 611113.00

- Galvanised, self-supporting and sound-decoupled steel construction
- Single-layer (12.5 mm) GKFI construction panel, incl. all standard openings
- Sound-decoupled mounting rail
- WC ceramic fixtures 180 and 230 mm
- Connection elbow made of PE-HD, DN 90 mm  
Incl. transition sleeve made of PE-HD, DN 90/110 mm
- Wall-mounted WC connection set
- Built-in, condensation-insulated concealed cistern
- Building protection for inspection opening
- Building plug for inlet and outlet pipe
- All fastening and mounting accessories
- Adjustable foot supports 0-220 mm
- Cistern connection with integrated or separate angle valve
- Actuation from the front

Dimensions: W / H / D 525 / 1080 / 160-220 mm

### Accessories:

Flush plates from page 59

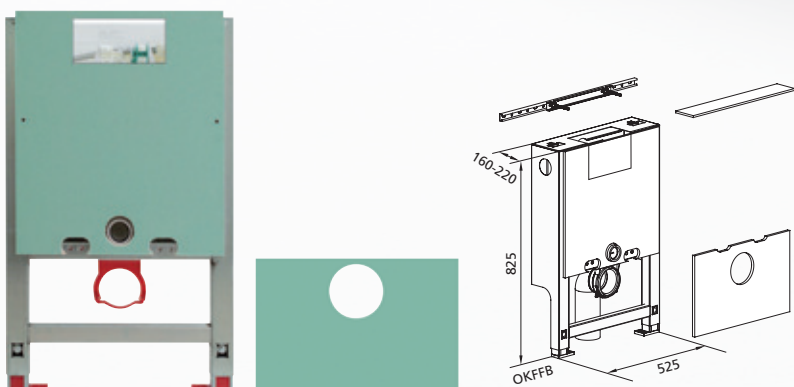
**Note:** WC power bearing for WC ceramics with contact surface smaller than 17 cm (e.g. Flaminia, Sentique), page 8

all WC frames with Geberit cistern:  
compatible with Duravit Sensowash®  
and Geberit AquaClean WCs

WC frames w. Geberit cistern Sigma:  
also compatibel with Geberit Duo-Fresh  
inserts (cleaning cubes)



## Santro wall-hung WC module with concealed cistern (825 mm)



Design \_\_\_\_\_ Ref. no. \_\_\_\_\_

Geberit cistern Omega  
with 2-quantity flush

Installation height 825 mm 611190.00

- Galvanised, self-supporting and sound-decoupled steel construction
- Reduced shelf height
- Single-layer (12.5 mm) GKFI construction panel, incl. all standard openings
- Sound-decoupled mounting rail
- WC ceramic fixtures 180 and 230 mm
- Connection elbow made of PE-HD, DN 90 mm  
Incl. transition sleeve made of PE-HD, DN 90/110 mm
- Wall-mounted WC connection set
- Built-in, condensation-insulated concealed cistern
- Building protection for inspection opening
- Building plug for inlet and outlet pipe
- All fastening and mounting accessories
- Adjustable foot supports 0-220 mm
- Cistern connection with integrated or separate angle valve
- Actuation from the front or top

Dimensions: W / H / D 525 / 825 / 160-220 mm

### Accessories:

Flush plates from page 59

**Note:** The toilet lid only remains in the open position if the distance between the wall and the wall to the toilet lid is > 25 mm.  
When using WC ceramics such as those from Keramag: Renova Nr. 1, Comprimo 204550, Joly 203060, V&B: Viala 765310, Viala 765210, the flush plate must be mounted from above.

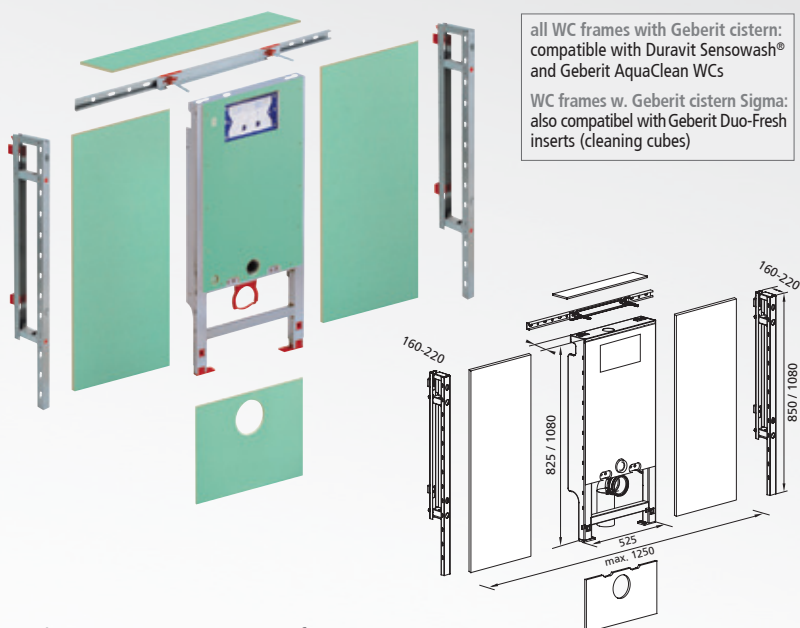
**Note:** WC power bearing for WC ceramics with a support surface smaller than 17 cm (e.g. Flaminia, Sentique), page 8

all WC frames with Geberit cistern:  
compatible with Duravit Sensowash®  
and Geberit AquaClean WCs

WC frames w. Geberit cistern Sigma:  
also compatibel with Geberit Duo-Fresh  
inserts (cleaning cubes)



## Santro WC complete kit with concealed cistern for guest WC single unit up to 1250 cm wide



Design \_\_\_\_\_ Ref. no. \_\_\_\_\_

Geberit cistern Sigma  
with 2-quantity flush  
Actuation from the front

Installation height 1080 mm 611250.00

Geberit cistern Omega  
with 2-quantity flush  
Actuation from the front or top

Installation height 850 mm 611290.00

### Consisting of: 1 x WC element suitable for standard wall-hung WCs

- Galvanised, self-supporting and sound-decoupled steel construction
- Single-layer (12.5 mm) GKFI construction panel, incl. all standard openings
- Sound-decoupled mounting rail
- WC ceramic fixtures 180 and 230 mm
- Connection elbow made of PE-HD, DN 90 mm  
Incl. transition sleeve made of PE-HD, DN 90/110 mm
- Wall-mounted WC connection set
- Built-in, condensation-insulated concealed cistern
- Building protection for inspection opening
- Building plug for inlet and outlet pipe
- All fastening and mounting accessories
- Adjustable foot supports 0-220 mm
- Cistern connection with integrated or separate angle valve
- Actuation from the front or front/top

Dimensions: H / D 850 oder 1080 / 160-220 mm  
Suitable for single WC system (guest WC) max. width 1250 cm

### Accessory pack included (separate accessory pack):

#### 2 x subcarrier

For extending an extension section and for bridging distances over 625 mm wide between 2 sanitary modules etc.

#### 2-tlg. GKFI construction panel

450 mm wide, core-impregnated, fibre-reinforced plasterboard

### Accessories optional:

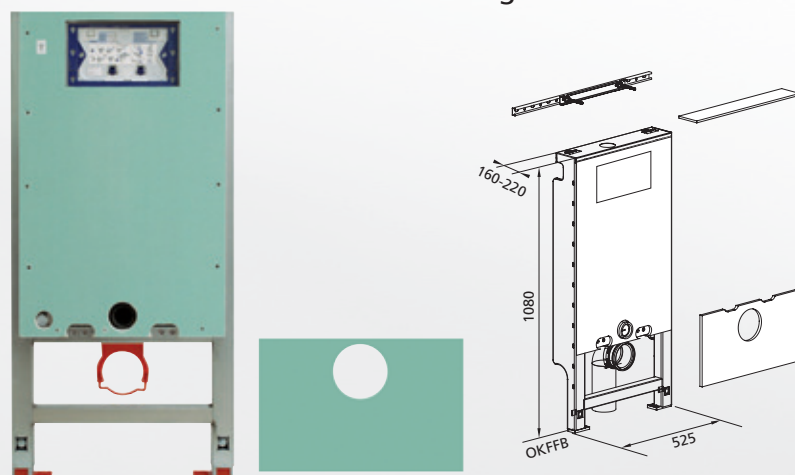
Flush plates from page 59

#### Note:

WC power bearing for WC ceramics with contact surface smaller than 17 cm (e.g. Flaminia, Sentique), page 8



## Santro WC module with concealed cistern for floor-standing WC



Design \_\_\_\_\_ Ref. no. \_\_\_\_\_

Geberit cistern Sigma  
with 2-quantity flush

Installation height 1080 mm 611236.00

- Galvanised, self-supporting and sound-decoupled steel construction
- Single-layer (12.5 mm) GKFI construction panel, incl. all standard openings
- Sound-decoupled mounting rail
- Connection elbow made of PE-HD, DN 90 mm  
Incl. transition sleeve made of PE-HD, DN 90/110 mm
- WC connection set, white with cover rosettes
- Built-in, condensation-insulated concealed cistern
- Building protection for inspection opening
- Building plug for inlet and outlet pipe
- All fastening and mounting accessories
- Adjustable foot supports 0-220 mm
- Cistern connection with integrated or separate angle valve
- Actuation from the front

Maße: W / H / D 525 / 1080 / 160-220 mm

### Accessories:

Flush plates from page 59

#### Note:

WC power bearing for WC ceramics with contact surface smaller than 17 cm (e.g. Flaminia, Sentique), page 8

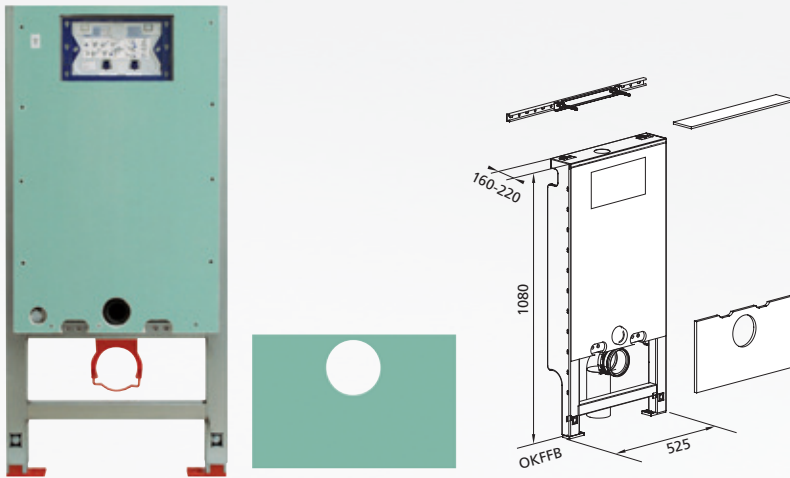


all WC frames with Geberit cistern:  
compatible with Duravit Sensowash®  
and Geberit AquaClean WCs

WC frames w. Geberit cistern Sigma:  
also compatibel with Geberit Duo-Fresh  
inserts (cleaning cubes)



Santro WC module with concealed cistern for floor mounted children WC



- Galvanised, self-supporting and sound-decoupled steel construction
- Single-layer (12.5 mm) GKF1 construction panel, incl. all standard openings
- Sound-decoupled mounting rail
- Connection elbow made of PE-HD, DN 90 mm  
Incl. transition sleeve made of PE-HD, DN 90/110 mm
- WC connection set, white with cover rosettes
- Built-in, condensation-insulated concealed cistern
- Building protection for inspection opening
- Building plug for inlet and outlet pipe
- All fastening and mounting accessories
- Adjustable foot supports 0-220 mm
- Cistern connection with integrated or separate angle valve
- Actuation from the front

Dimensions: W / H / D 525 / 1080 / 160-220 mm  
WC installation at a height suitable for children

**Accessories:**  
Flush plates from page 59

**Note:**  
WC power bearing for WC ceramics with a support surface smaller than 17 cm (e.g. Flaminia, Sentique), page 8

Design \_\_\_\_\_ Ref. no. \_\_\_\_\_

Geberit cistern Sigma with 2-quantity flush

Installation height 1080 mm 611335.00

all WC frames with Geberit cistern: compatible with Duravit Sensowash® and Geberit AquaClean WCs

WC frames w. Geberit cistern Sigma: also compatibel with Geberit Duo-Fresh inserts (cleaning cubes)



Santro / BS+ WC support brackets for WC ceramics with small contact surface



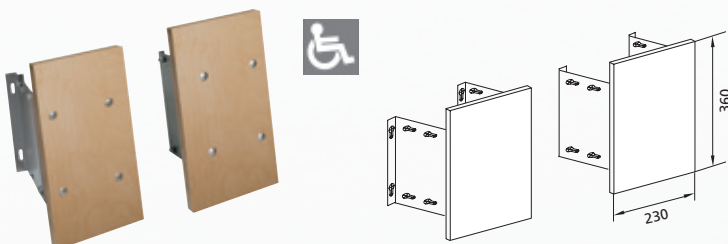
Design \_\_\_\_\_ Ref. no. \_\_\_\_\_

1 pair 216400

For additional support of WC ceramics  
Support surfaces smaller than 17 cm (e.g. Flaminia, Sentique)



Santro attachment set for support and folding support rails



Design \_\_\_\_\_ Ref. no. \_\_\_\_\_

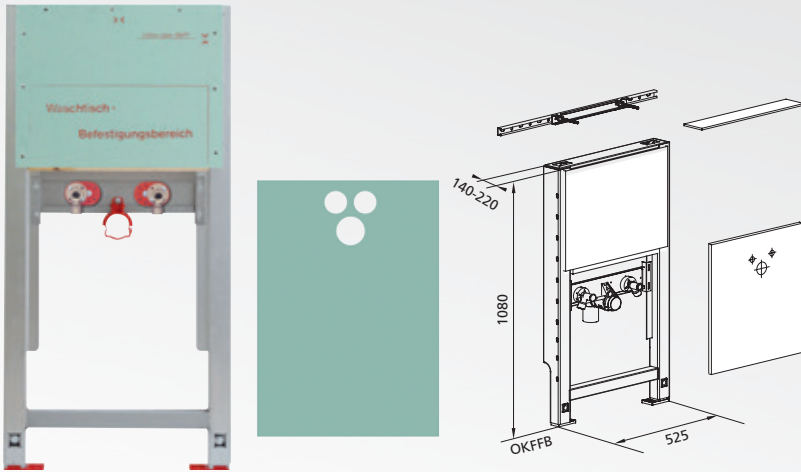
1 pair with 2 wall mountings 697155

- Galvanised, torsion-resistant sheet metal construction
- Mounting plate for variable arm lever mounting made of laminated wood
- all fastening and mounting accessories.

**Suitable for modules in barrier-free design**



Santro washstand module for floor-standing fitting



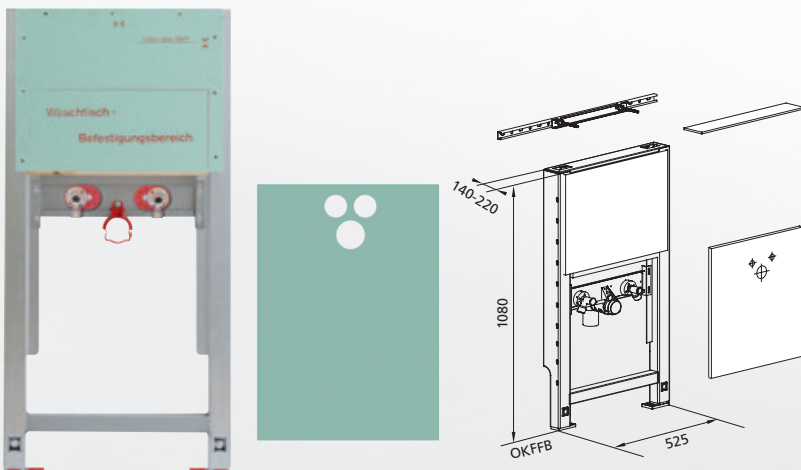
- Galvanised, self-supporting and sound-decoupled steel construction
- Single-layer (12.5 mm) GKFI construction panel, incl. all standard openings
- Sound-decoupled mounting rail
- Mounting plate for variable washstand installation
- Connection elbow PE-HD DN 50
- Rubber nipple 32 mm
- All fastening and mounting accessories
- Adjustable foot supports 0-220 mm
- 2 sound-decoupled, width-adjustable 1/2" wall discs

Dimensions: W / H / D 525 / 1080 / 140-220 mm

Design	Ref. no.	Design	Ref. no.
for floor-standing fitting		with built-in tap plate for Connection of an water heater	
<b>Installation height 1080 mm</b>	621258.00	<b>Installation height 1080 mm</b>	622026.00



Santro children washstand module for floor-standing fitting



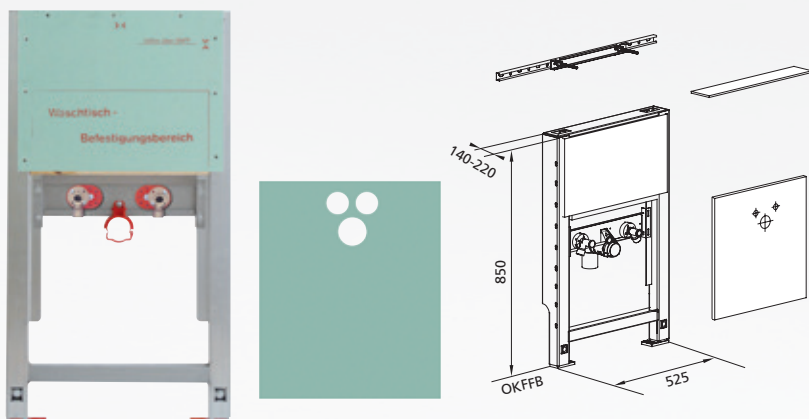
- Galvanised, self-supporting and sound-decoupled steel construction
- Single-layer (12.5 mm) GKFI construction panel, incl. all standard openings
- Sound-decoupled mounting rail
- Mounting plate for variable washstand installation
- Connection elbow PE-HD DN 50
- Rubber nipple 32 mm
- All fastening and mounting accessories
- Adjustable foot supports 0-220 mm
- 2 sound-decoupled, width-adjustable 1/2" wall discs

Dimensions: W / H / D 525 / 1080 / 140-220 mm

Design	Ref. no.
<b>Installation height 1080 mm</b>	621012.00



## Santro washstand module for furniture washstand for floor-standing fitting



Design \_\_\_\_\_ Ref. no. \_\_\_\_\_

for floor-standing fitting

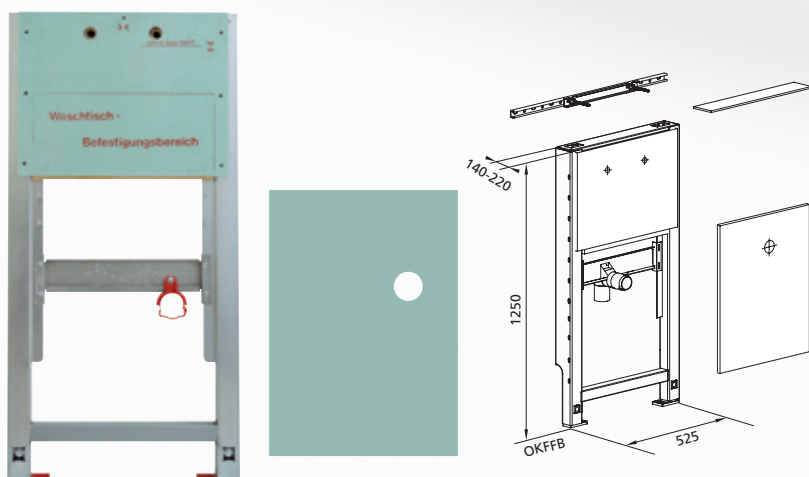
Installation height 850 mm 621050.00

- Galvanised, self-supporting and sound-decoupled steel construction
- Reduced shelf height
- Single-layer (12.5 mm) GKF construction panel, incl. all standard openings
- Sound-decoupled mounting rail
- Mounting plate for variable washstand installation
- Connection elbow PE-HD DN 50
- Rubber nipple 32 mm
- All fastening and mounting accessories
- Adjustable foot supports 0-220 mm
- 2 sound-decoupled, width-adjustable 1/2" wall discs

Dimensions: W / H / D 525 / 850 / 140-220 mm



## Santro sink module for wall fitting



Design \_\_\_\_\_ Ref. no. \_\_\_\_\_

Installation height 1250 mm 621449.00

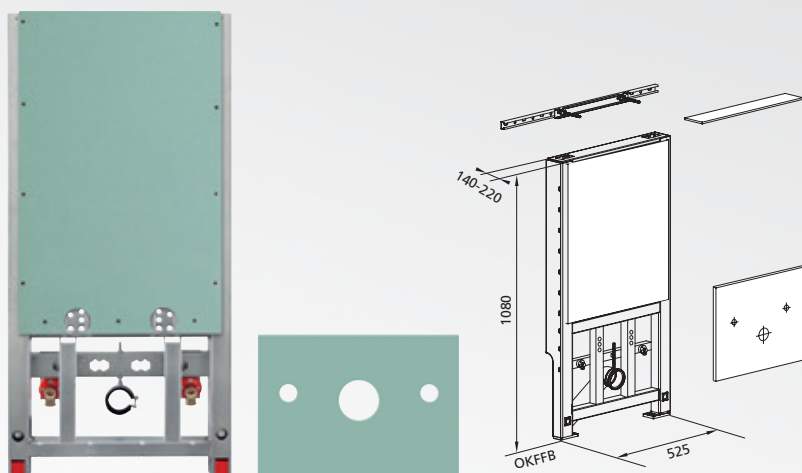
- Galvanised, self-supporting and sound-decoupled steel construction
- Single-layer (12.5 mm) GKF construction panel, incl. all standard openings
- Sound-decoupled mounting rail
- Mounting plate for variable washstand installation
- Connection elbow PE-HD DN 50
- All fastening and mounting accessories
- Adjustable foot supports 0-220 mm
- 2 sound-decoupled, width-adjustable 1/2" wall discs

Dimensions: W / H / D 525 / 1250 / 140-220 mm





### Santro bidet module for floor-standing fitting



- Galvanised, self-supporting and sound-decoupled steel construction
- Single-layer (12.5 mm) GFKI construction panel, incl. all standard openings
- Sound-decoupled mounting rail
- Variable bidet ceramic fixtures
- Connection elbow PE-HD DN 50
- All fastening and mounting accessories
- Adjustable foot supports 0-220 mm
- 2 sound-decoupled, width-adjustable 1/2" wall discs

Dimensions: W / H / D 525 / 1080 / 140-220 mm

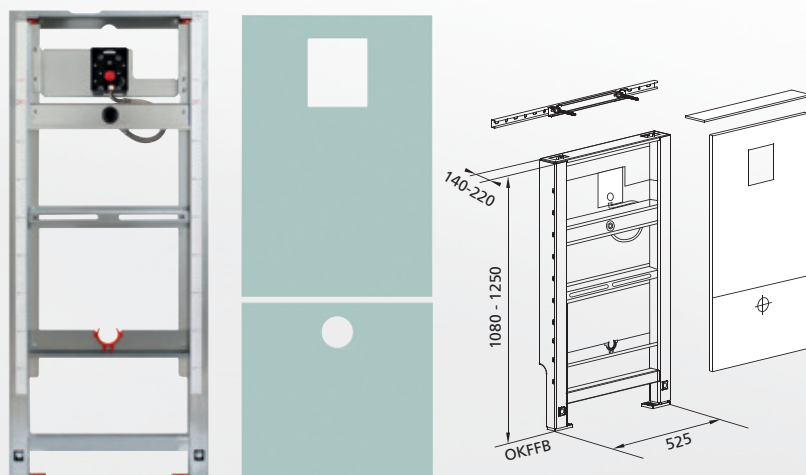
Design \_\_\_\_\_ Ref. no. \_\_\_\_\_

for floor-standing fitting

Installation height 1080 mm 631578.00



### Santro urinal module with surface-mounted/concealed flush valve or shell set



- Galvanised, self-supporting and sound-decoupled steel construction
- Single-layer (12.5 mm) GFKI construction panel, incl. all standard openings
- Sound-decoupled mounting rail
- Adjustable urinal mounting crossbar
- Adjustable sound-decoupled water inlet crossbar
- Adjustable drain support bar
- swivelling drain elbow DN 50
- Pre-assembled flush-mounted flush valve or pipework set
- Construction protection for inspection opening
- All fixing and installation accessories
- Adjustable foot supports 0-220 mm
- 1/2" connection bracket
- Urinal trap
- Urinal connection set

Dimensions: W / H / D 525 / 1080 oder 1250 / 140-220 mm  
Suitable for standard urinals

**Attention:**

If you are using a urinal cover, please contact our hotline contact our hotline 0211/95001-0 beforehand!

Design \_\_\_\_\_ Ref. no. \_\_\_\_\_

As an empty element

Installation height 1080 mm 647600

Installation height 1250 mm 647620

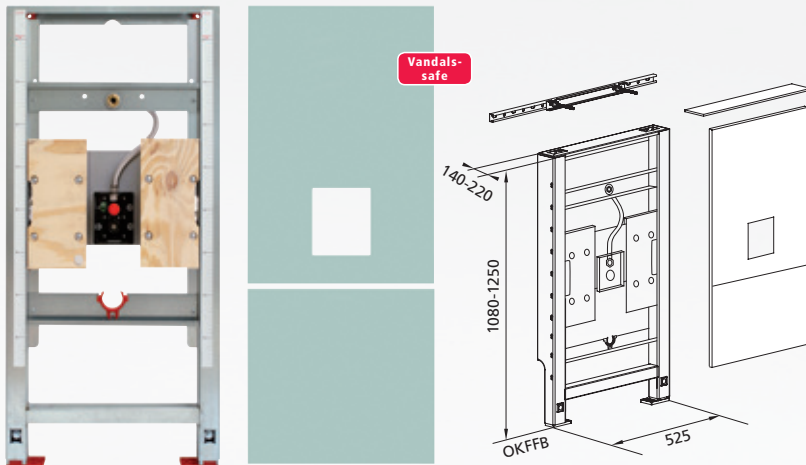
Design \_\_\_\_\_ Ref. no. \_\_\_\_\_

Burda flush valve U-05/06

Installation height 1250 mm 641694



## Santro urinal module with shell set for Flowtronik



- Galvanised, self-supporting and sound-decoupled steel construction
- Pre-assembled flush-mounted urinal pipework set with 230 V connection, Valve block with water shut-off
- Functions: Standard and stadium mode, forced flushing
- Single-layer (12.5 mm) GKF construction panel, incl. all standard openings
- Sound-decoupled mounting rail
- Urinal mounting plate
- Adjustable, sound-decoupled water inlet traverse
- Adjustable drain crossbar
- Swivelling drain elbow DN 50
- Construction protection for inspection opening
- All fixing and installation accessories
- Adjustable foot supports 0-220 mm
- 1/2" connection bracket
- Flexible hose
- Inlet connector
- Urinal connection set

Dimensions: W / H / D 525 / 1080-1250 / 140-220 mm  
Suitable for standard urinals

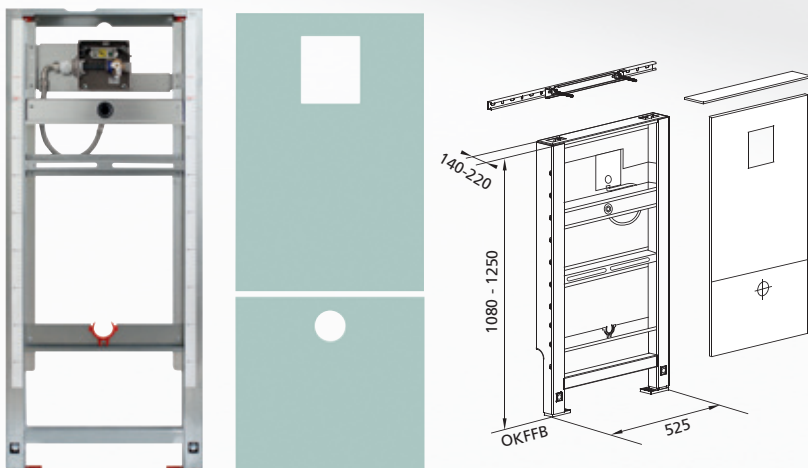
**Note:**

Not suitable for urinals with moulded-in urinal trap, e.g. V&B Omnia Pro #7502 00, #7503 00, #7504 00 etc.

Design	Ref. no.
Installation height 1080 mm	646000
Installation height 1250 mm	646001



## Santro urinal module with wall-mounted/flush-mounted flush valve or shell set



- Galvanised, self-supporting and sound-decoupled steel construction
- Pre-assembled flush-mounted urinal electronics or body kit
- Single-layer (12.5 mm) GKF construction panel, incl. all standard openings
- Sound-decoupled mounting rail
- Adjustable urinal fixing crossbar
- Adjustable, sound-decoupled water inlet traverse
- Adjustable drain traverse
- Swivelling drain elbow DN 50
- Construction protection for inspection opening
- All fastening and mounting accessories
- Adjustable foot supports 0-220 mm
- Flexible hose
- Inlet connector
- Urinal trap
- Urinal connection set

Dimensions: W / H / D 525 / 1080 oder 1250 / 140-220 mm  
Suitable for standard urinals

**Note:**

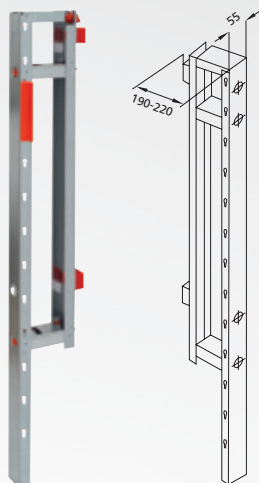
Not suitable for urinals with moulded-in urinal trap, e.g. V&B Omnia Pro #7502 00, #7503 00, #7504 00 etc.

Design	Ref. no.
with Geberit universal shell set for Hy-Tronic and Hy-Touch Installation height 1250 mm	647572

Design	Ref. no.
for Geberit Flushcontrol Installation height 1080 mm	641714
Installation height 1250 mm	641713
for Duravit Utronic Installation height 1080 mm	641724
Installation height 1250 mm	641723



Santro subcarrier for shelf depth 190-220 mm



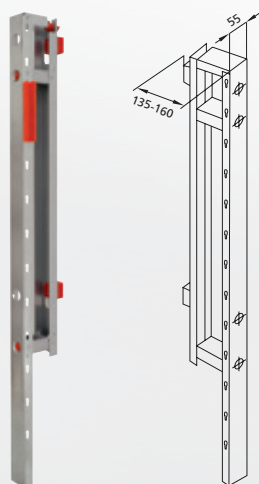
Design	Ref. no.	Design	Ref. no.
<b>Typ 108</b> Installation height 1080 mm Installation depth 190-220 mm	667409	<b>Typ 125</b> Installation height 1250 mm Installation depth 190-220 mm	667423
<b>Typ 85</b> Installation height 850 mm Installation depth 190-220 mm	667416	<b>Typ 60</b> Installation height 600 mm Installation depth 190-220 mm	667520

For extending an extension section and for bridging distances over 625 mm wide between 2 sanitary modules, etc. Also suitable for fitting plates, Frame for installation rail (using spacer rails 677 034), adjustable in depth, can be used both left and right usable

- Galvanised, sound-decoupled steel construction
- All fixing and installation accessories



Santro subcarrier for shelf depth 135-160 mm



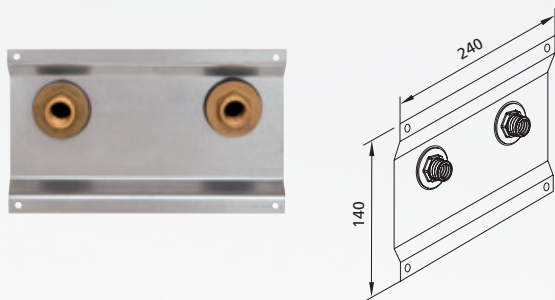
Design	Ref. no.
<b>Typ 108 S</b> Installation height 1080 mm	667430
<b>Typ 85</b> Installation height 850 mm	667447
<b>Typ 125</b> Installation height 1250 mm	667454

For extending an extension section and for bridging distances over 625 mm wide between 2 sanitary modules, etc. Also suitable for fitting plates, Frame for installation rail (using spacer rails 677 034), Adjustable in depth, can be used both left and right

- Galvanised, sound-decoupled steel construction
- All fixing and installation accessories



## Santro fitting plate A for surface-mounted fittings



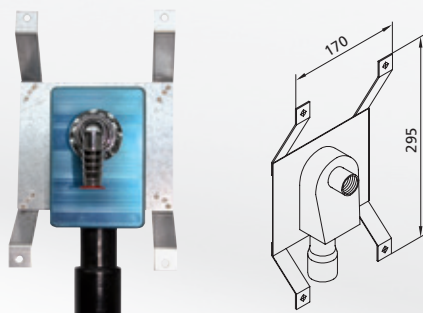
Design \_\_\_\_\_ Ref. no.  
681658.00

**For mounting using spacer rails (677 034) between 2 sanitary modules or between module and intermediate support or only between intermediate supports or in a shaft element.**

- Galvanised steel construction
- 2 wall bushings 1/2"
- complete mounting and assembly accessories



## Santro fitting plate E1 for washing machine waste water outlet



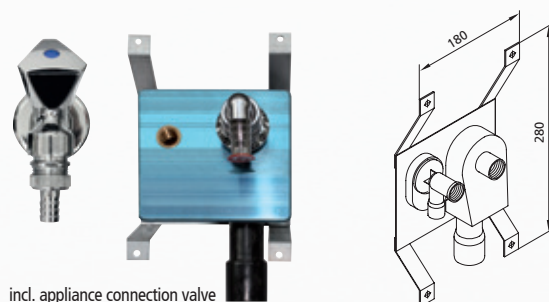
Design \_\_\_\_\_ Ref. no.  
681764

**For mounting using spacer rails (677 034) between 2 sanitary modules or between module and intermediate support or only between intermediate supports or in a shaft element.**

- Galvanised steel construction
- Concealed odour trap
- complete mounting and assembly accessories



## Santro tap plate E2 for washing machine inlet and outlet



incl. appliance connection valve

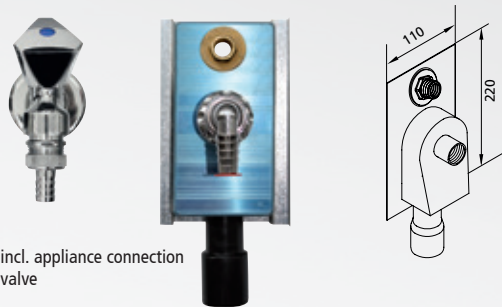
Design \_\_\_\_\_ Ref. no.  
681771

**For mounting using spacer rails (677 034) between 2 sanitary modules or between module and intermediate support or only between intermediate supports or in a shaft element.**

- Galvanised steel construction
- 1 wall disc 1/2"
- Concealed odour trap
- complete mounting and assembly accessories



## Santro tap plate E3 for washing machine inlet and outlet



incl. appliance connection valve

Design	Ref. no.
	683607

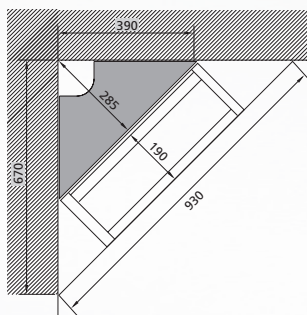
For lateral installation in a subcarrier or lateral installation in a shaft element type 190

For mounting using spacer rails (677 034) between 2 sanitary modules or between module and intermediate support or only between intermediate supports or in a shaft element.

- Galvanised steel construction
- 1 wall disc 1/2"
- Concealed odour trap
- complete mounting and assembly accessories



## Santro triangular profile



Design	Ref. no.
	679150

- For over-corner mounting of modules
- galvanised



## Santro GKFI building board



Design	Ref. no.
<b>W x H x D</b>	
624 x 1075 x 12.5 mm	697024
598 x 1300 x 12.5 mm	697000

- Core-impregnated, fibre-reinforced plasterboard

