

03 – 15 **Santro** Pre-planked prewall system



17 – 47

**BS+**

WC page 22-27  
WT page 27-34  
Sink page 35

Bidet  
Urinal  
Shower/Bathtub

page 35  
page 36-38  
page 38-39

Built-in furniture  
Fastening element  
Element for fittings

page 40  
page 41  
page 41

Traverses page 43-44  
Accessories page 45-47



49 – 52 **my move elements** Electrically height-adjustable



53 – 57 **Kombiset** Wet construction system



59 – 70 **Flush buttons**



71 – 86 **Flushing systems**



88 – 89 **Pondus XL** Floor-standing WC incl. seat for obese people



## Description of system

### 1.1 BS+

The BS+ installation range is the universally applicable, industrially pre-assembled element system for stud wall and front wall installation.

#### 1.1.1 Elements

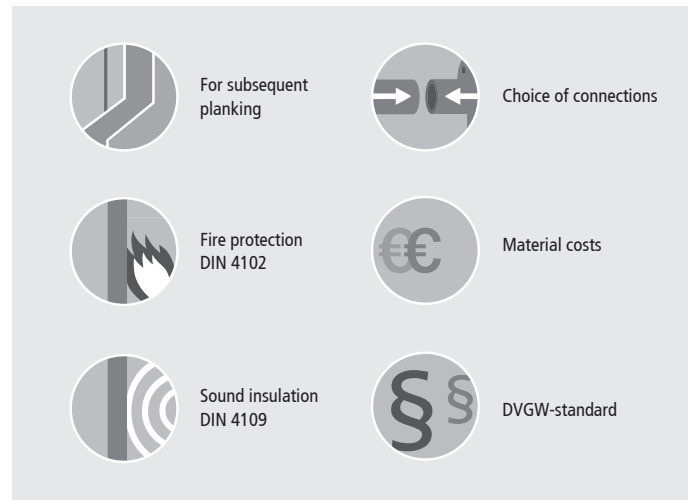
This extensive range includes elements for toilets but also for urinals, bidets and wash-stands, as well as the corresponding elements for barrier-free construction. Ready-made elements are even available for special applications such as countertop washbasins with wall fittings, water metres or urinal electronics.

#### 1.1.2 Free choice of connections

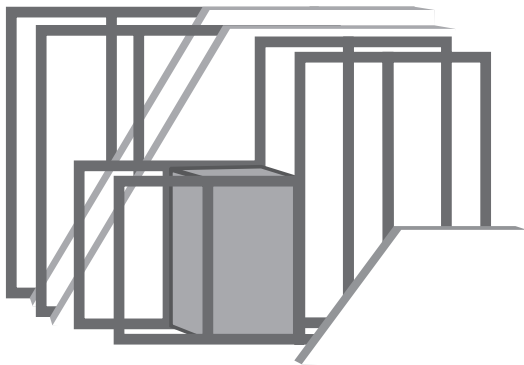
With all units the fitter is free to choose between cisterns from various brand manufacturers and decide for himself what type of pre-fitted connection should be supplied with the element.

### 1.2 Application area

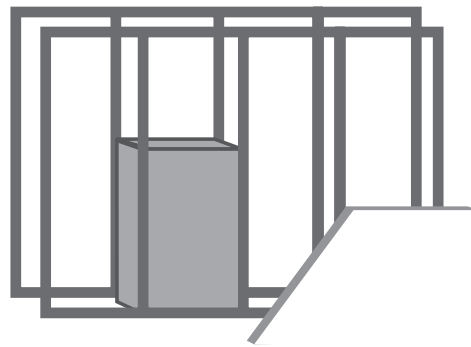
The BS+ is the flexible dry construction installation system for front wall installation or for fitting into a stud wall.



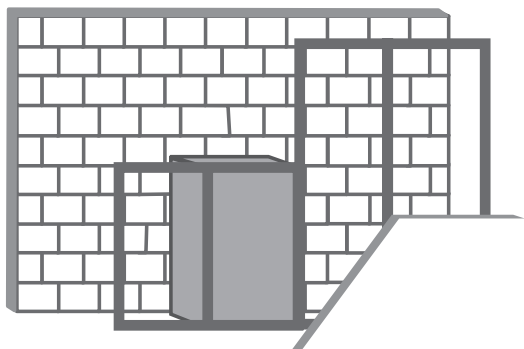
The application areas for this system are therefore building sites where drywallers are also expected to be included in handling the job.



In front of stud wall



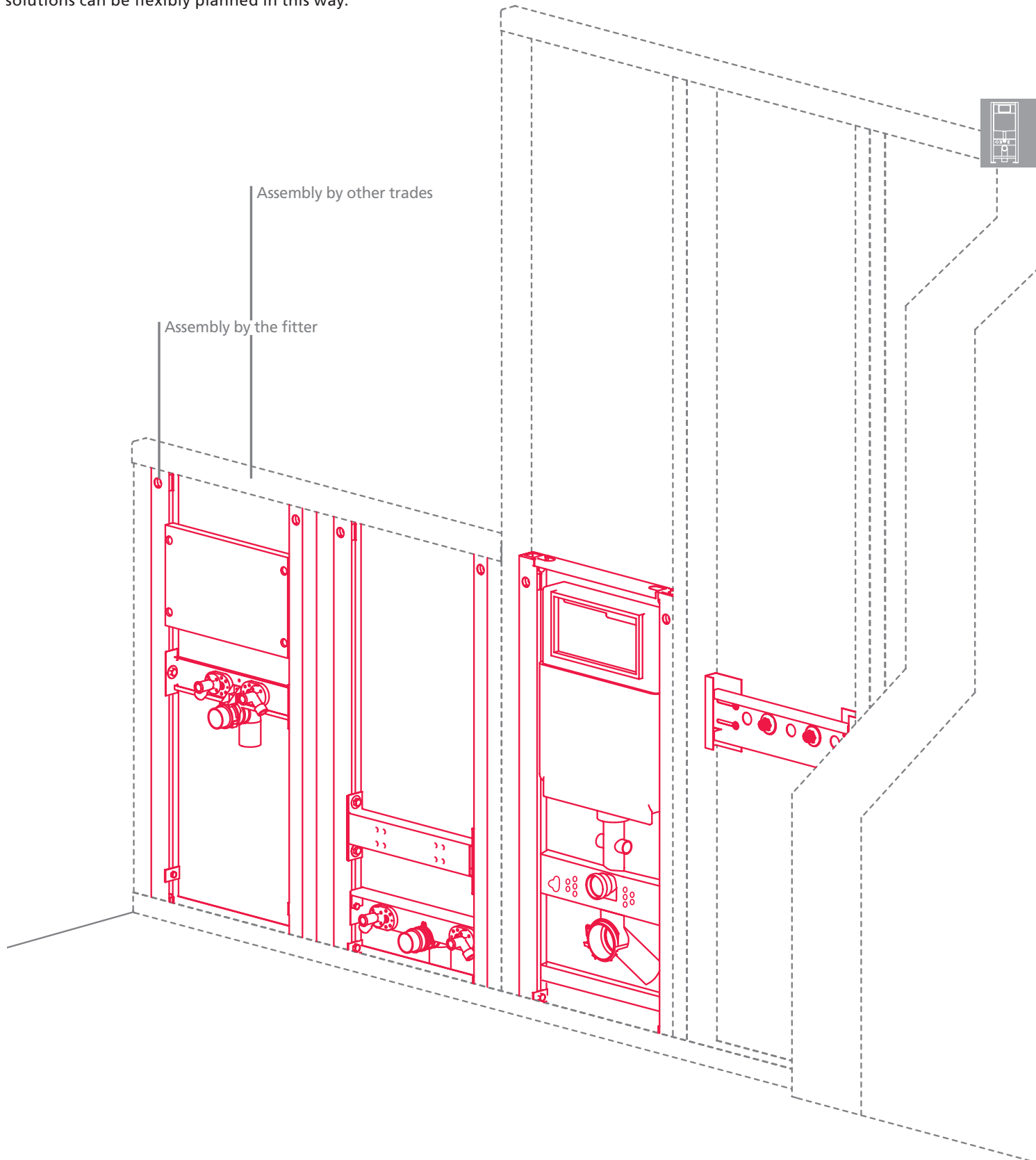
In stud wall



In front of solid wall

### 1.3 Benefits

The BS+ installation range offers fitters and planners the opportunity to create complete installations in classic dry constructions and to resort to pre-assembled units. Individual solutions can be flexibly planned in this way.



## Assembly instructions for fitting in stud walls

### 1.1 Perfect and installation-friendly

For new builds, renovations, loft conversions and the commercial sector: Light construction wall with integrated fastening and connection options for sanitary units are in line with modern building technology.

The BS+ system from Burda gives you a fully galvanised, self-supporting design for fitting sanitary units into light construction walls. This is an installation-friendly system for fitting individually into the C-profiles of a stud wall.

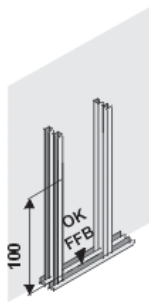
### 1.2 Design of the light constructions walls

The BS+ elements from Burda are designed to be fitted in stud walls according to DIN 18183, November 1988 edition, walls made out of plasterboard panels (design of metal stud walls) or wooden stud walls, with a load bearing capacity in accordance with DIN 18183. In so-called wet rooms with metal stud wall and BS+ Plus sanitary units planking should be done with double-layer, impregnated firecheck plasterboard panels.



When fitting WC installations suitable for old and disabled people, reinforced UA profiles must always be used!

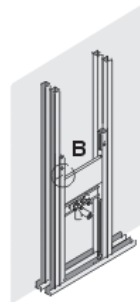
### Installation example:



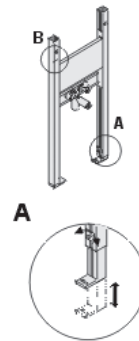
metre mark to the standing C-profiles.



Inserting the element into the stud wall.

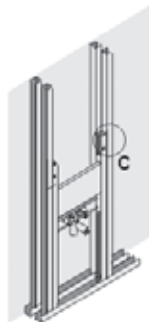


Metre mark on the stud wall align with the marking on the panel. (B)

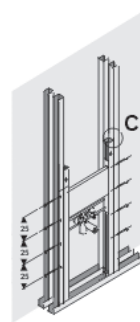
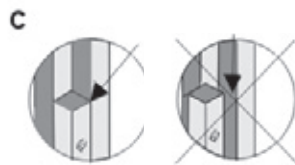


Height adjustment of the element is done by adjusting the feet of the element. (A)

- Loosen nut
- Move foot to required size
- Tighten nut



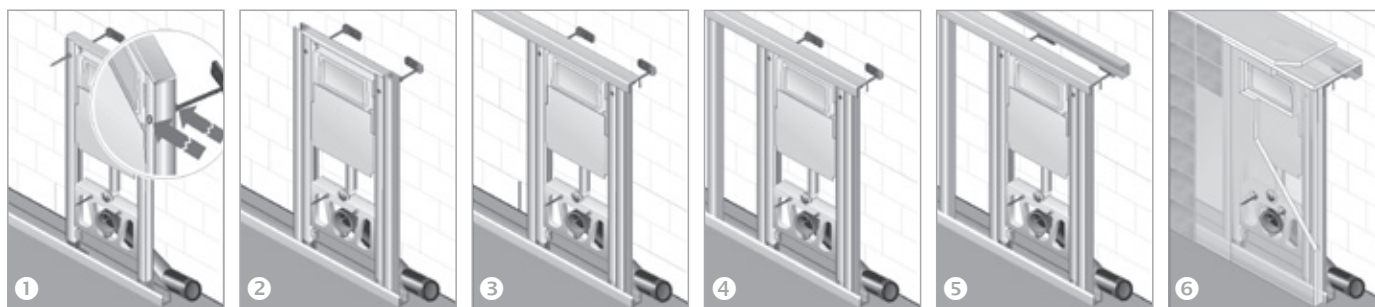
Align the outer edges of the element flush with the outer edges of the stud wall and fix the position. (C)



Screw the aligned stud wall panel combination to the side and to the floor.

**Note:** The panelling must always be fully seated and screwed down without any gaps.

## Installation instructions for installation in a pre-wall installation



❶ Fasten the U-profile to the floor at the required distance to the wall and place the BS+ element into it. Install the two wall brackets supplied as accessories to the BS+ element and adjust the gap between the element and the wall with the aid of the wall brackets. Make the wall brackets face downwards or to the side. Cut the threaded rods off so that they no longer protrude from the element. Tighten the lock nuts.

❷ On the left and right of the element, use the self-tapping screws to fasten a C-profile on each side, which are additionally joined to the U-profile with pop rivets at the bottom.

**Note:** As a matter of principle, all C and U-profiles are joined with pop rivets or profile connecting pliers.

❸ Put another U-profile over the element in the required length, which will act as a shelving area.

❹ Fan out the levels in which the panels are located. Every 625 mm, a C-profile must be fanned out or a new panel placed.

❺ Now attach another U-profile (back to the wall) at the same height as the top edge of the element.

❻ Plank this construction with plasterboard suitable for damp rooms. The panelling must always be double with no gaps! Additional screws must be used in the WC area!

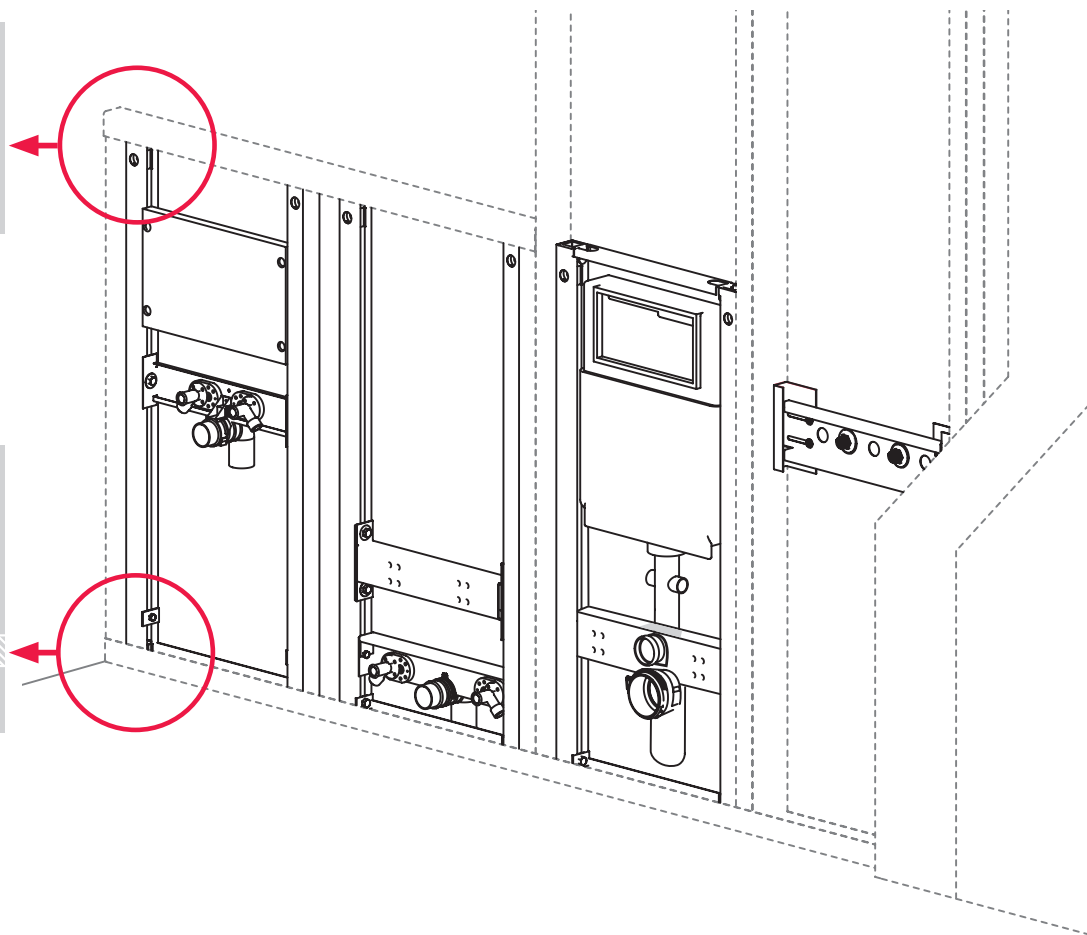
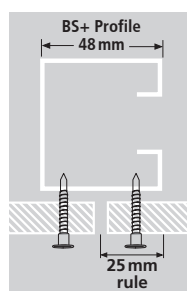
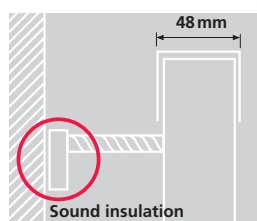
## Can be installed in a stud wall or as a single element using wall brackets for pre-wall installation

- The elements consist of 48 mm wide profiles, so they can be perfectly installed in a 50 plasterboard stud wall.

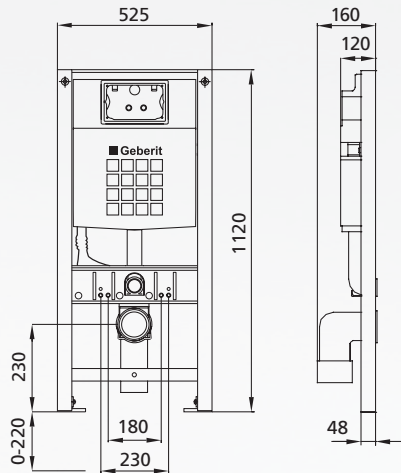
- GKFI building boards can be installed be placed butt to butt
- Fastening the building boards without pre-drilling

- Sound decoupling integrated as standard (all red plastic parts)
- Element feet as standard 220 mm extendable

- High corrosion protection due to sendzimir galvanised elements
- 4-point fastening
- All current standards are complied with (e.g. DIN 4109 etc.)



BS+ wall-hung WC element with concealed cistern Height 1120 mm



- Galvanised, self-supporting and sound-decoupled steel construction
- WC ceramic fixtures 180 and 230 mm
- Connection bend made of PE-HD, DN 90 mm  
Incl. transition sleeve made of PE-HD, DN 90/110 mm
- Wall-mounted WC connection set
- Built-in, condensation-insulated concealed cistern
- Building protection for inspection opening
- Construction plug for inlet and outlet pipe
- All mounting and assembly accessories
- Adjustable footrests up to max. 0-220 mm
- Cistern connection bracket (exception 211 009.99)  
and integrated or separate angle valve
- Actuation from the front

Dimensions: W / H / D 525 / 1120 / 160 mm (with waste pipe)  
Suitable for standard wall-hung WCs.

**Accessories:**

Sound-decoupled wall brackets for pre-wall installation, page 47  
Flush plates and flushing systems from page 59

**Note:**

WC power brackets for WC ceramics with small contact surface less 17 cm (e.g. Flaminia, Sentique), page 45

Design	Ref. no.	Design	Ref. no.
<b>Installation height 1120 mm</b>		Geberit cistern Delta with 2-quantity flush incl. sound-decoupled wall brackets for pre-wall mounting	211109.99
Geberit cistern Sigma with 2-quantity flush	211088.00	Burda K770 with 2-quantity flush	211140.00

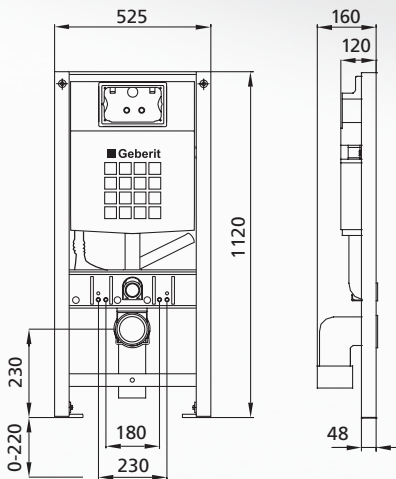
**Can also be used as a barrier-free WC element.**

all WC frames with Geberit cistern: compatible with Duravit Sensowash® and Geberit AquaClean WCs

WC frames with Geberit cistern Sigma: additionally compatible with Geberit Duo-Fresh inserts (cleaning cubes)



BS+ wall-mounted WC element for odour extraction exhaust air



- Galvanised, self-supporting and sound-decoupled steel construction
- WC ceramic fixtures 180 and 230 mm
- Connection bend made of PE-HD, DN 90 mm  
Incl. transition sleeve made of PE-HD, DN 90/110 mm
- Wall-mounted WC connection set
- Built-in, condensation-insulated concealed cistern
- Building protection for inspection opening
- Construction plug for inlet and outlet pipe
- All mounting and assembly accessories
- Adjustable footrests up to max. 0-220 mm
- Cistern connection bracket (exception 211 009.99)  
and integrated or separate angle valve
- Actuation from the front

Dimensions: W / H / D 525 / 1120 / 160 mm (with waste pipe)  
Suitable for standard wall-hung WCs.

**Accessories:**

Sound-decoupled wall brackets for pre-wall installation, page 47  
Flush plates and flushing systems from page 59

**Note:**

WC power brackets for WC ceramics with small contact surface less 17 cm (e.g. Flaminia, Sentique), page 45

Design	Ref. no.	Design	Ref. no.
<b>Installation height 1120 mm</b>		Burda cistern K770 with 2-quantity flush for odour extraction Exhaust air 50 mm prepared	220140.00
Geberit cistern Sigma with 2-quantity flush for odour extraction Exhaust air 50 mm prepared	220088.00		

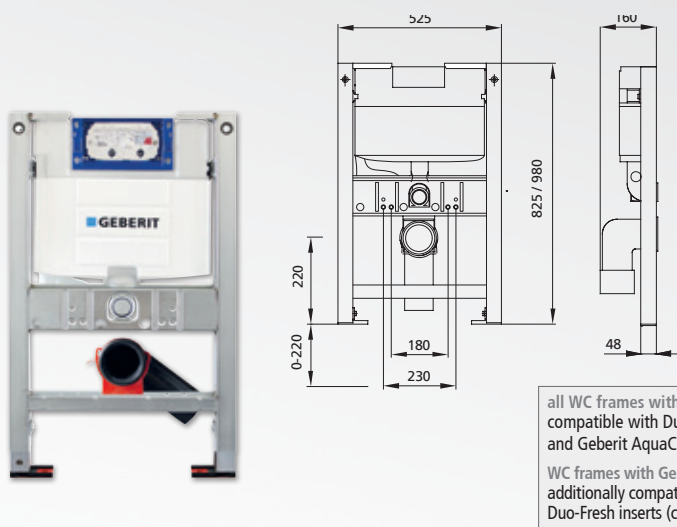
**Can also be used as a barrier-free WC element.**

all WC frames with Geberit cistern: compatible with Duravit Sensowash® and Geberit AquaClean WCs

WC frames with Geberit cistern Sigma: additionally compatible with Geberit Duo-Fresh inserts (cleaning cubes)



## BS+ wall-hung WC element Height 825 und 980 mm



all WC frames with Geberit cistern:  
compatible with Duravit Sensowash®  
and Geberit AquaClean WCs

WC frames with Geberit cistern Sigma:  
additionally compatible with Geberit  
Duo-Fresh inserts (cleaning cubes)

- Galvanised, self-supporting and sound-decoupled steel construction
- Reduced shelf height
- WC ceramic fixtures 180 and 230 mm
- Connection bend made of PE-HD, DN 90 mm  
Incl. transition sleeve made of PE-HD, DN 90/110 mm
- Wall-mounted WC connection set
- Built-in, condensation-insulated concealed cistern
- Building protection for inspection opening
- Construction plug for inlet and outlet pipe
- All mounting and assembly accessories
- Adjustable footrests up to max. 0-220 mm
- Cistern connection bracket (exception 211 009.99)  
and integrated or separate angle valve
- Actuation from the front or top

Dimensions: W / H / D 525 / 825 oder 980 / 160 mm (with waste pipe)  
Suitable for standard wall-hung WCs.

### Accessories:

Sound-decoupled wall brackets for pre-wall installation, page 47  
Flush plates and flushing systems from page 59

### Note:

The toilet lid only remains in the open position if the distance between the wall and the wall to the toilet lid is > 25 mm.

When using WC ceramics such as those from Geberit/Keramag: Renova No. 1, Comprimo 204550, Joly 203060 V&B: Viala 765310, Viala 765210, the flush plate must be installed from above.

### Note:

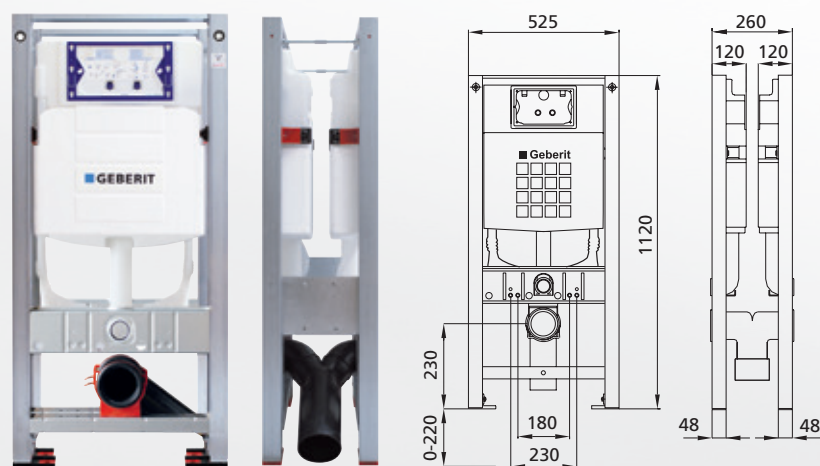
WC power brackets for WC ceramics with small contact surface less 17 cm (e.g. Flaminia, Sentique), page 45



Can also be used as a barrier-free WC element.

Design	Ref. no.	Design	Ref. no.
<b>Installation height 825 mm</b>		<b>Installation height 980 mm</b>	
Geberit cistern Omega Actuation from above / front with 2-quantity flush	211390.00	Geberit cistern Omega Actuation from above / front with 2-quantity flush	211395.00

## BS+ double WC element for wall-hung WC



- Galvanised, self-supporting and sound-decoupled steel construction
- WC ceramic fixtures 180 and 230 mm
- HDPE breeches branch DN 80 / 100 / 80
- 2x wall-mounted WC connection fittings
- 2x built-in, condensation-insulated concealed cistern with dual-flush technology
- Building protection for inspection opening
- Construction plug for inlet and outlet pipe
- All mounting and assembly accessories
- Adjustable footrests up to max. 0-220 mm
- 2x cistern connection bracket with integrated or separate angle valves
- Actuation from the front

Dimensions: W / H / D 525 / 1120 / 260 mm  
Suitable for standard wall-hung WCs.

### Accessories:

Flush plates and flushing systems from page 59

### Note:

WC power brackets for WC ceramics with small contact surface less 17 cm (e.g. Flaminia, Sentique), page 45

Can also be used as a barrier-free WC element.

Design	Ref. no.
<b>Installation height 1120 mm</b>	
Geberit cistern Sigma with 2-quantity flush	211122.00
Geberit cistern Delta with 2-quantity flush	211222.99
Burda cistern K770 with 2-quantity flush	211240.00

all WC frames with Geberit cistern:  
compatible with Duravit Sensowash®  
and Geberit AquaClean WCs

WC frames with Geberit cistern Sigma:  
additionally compatible with Geberit  
Duo-Fresh inserts (cleaning cubes)



BS+ floor-standing WC element with Geberit cistern Sigma oder Burda cistern K770 for baby / child / adult



- Galvanised, self-supporting and sound-decoupled steel construction
- Connection bend made of PE-HD, DN 90 mm  
Incl. transition sleeve made of PE-HD, DN 90/110 mm
- Free-standing WC connection set white with cover rosettes
- Built-in, condensation-insulated Geberit Sigma concealed cistern with dual-flush technology or built-in, condensation-insulated Burda concealed cistern K770 with dual-flush technology
- Building protection for inspection opening
- Construction plug for inlet and outlet pipe
- All mounting and assembly accessories
- Adjustable footrests up to max. 0-220 mm
- Cistern connection bracket and integrated or separate angle valve
- Actuation from the front

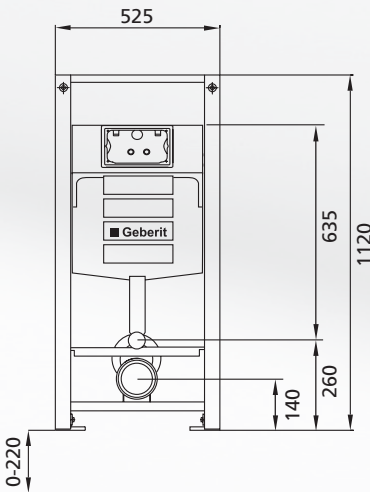
Dimensions: W / H / D 525 / 1120 / 160 mm (with waste pipe)  
Suitable for Geberit floor-standing WCs.

**Accessories:**

Sound-decoupled wall brackets for pre-wall installation, page 47  
Flush plates and flushing systems from page 59

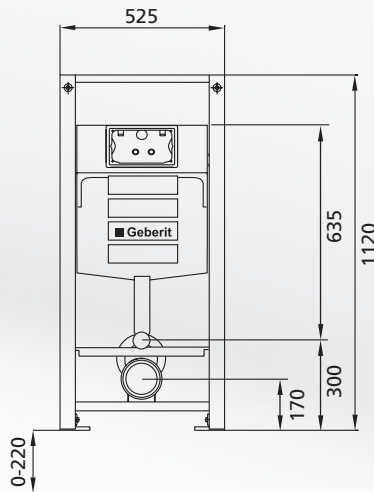
One element for 3 different WC ceramics

Various settings of the traverses



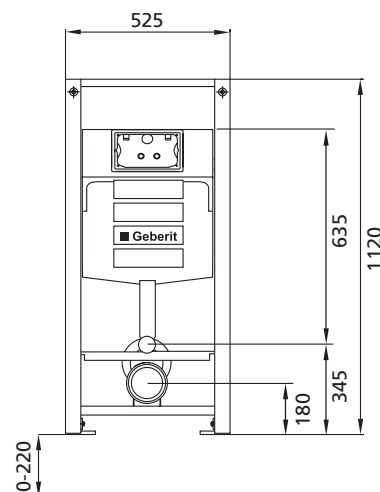
**Baby floor-standing WC**

Traverse inlet  
(dimension centre inlet height: 260 mm)  
Traverse drain  
(dimension centre drain height: 140 mm)



**Child floor-standing WC**

Traverse inlet  
(dimension centre inlet height: 300 mm)  
Traverse drain  
(dimension centre drain height: 170 mm)



**Adult floor-standing WC**

Traverse inlet  
(dimension centre inlet height: 345 mm)  
Traverse drain  
(dimension centre drain height: 180 mm)

Set as standard for baby  
Stand WC set

Design \_\_\_\_\_ Ref. no. \_\_\_\_\_

**For Geberit Bambini / Adult floor-standing WC  
Installation height 1120 mm**

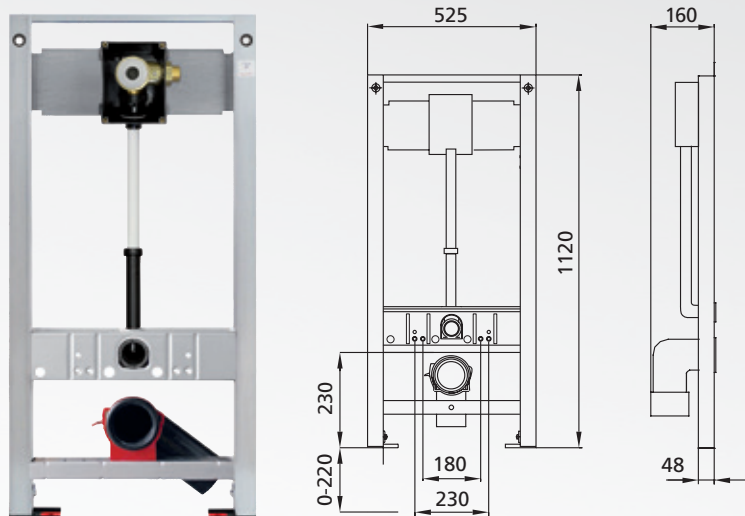
Geberit cistern Sigma with 2-quantity flush 211948.00

Burda cistern K770 with 2-quantity flush 211943.00





## BS+ WC element for WWC, 112cm with Schell concealed WC flush valve Compact II



- Galvanised, self-supporting and sound-decoupled steel construction
- WC ceramic fixtures 180 and 230 mm
- Connection bend made of PE-HD, DN 90 mm Incl. transition sleeve made of PE-HD, DN 90/110 mm
- Wall-mounted WC connection set
- Built-in WC concealed flush valve set Schell WC flush valve Compact II
- Pre-assembled water section made of Dr brass
- Pre-shut-off / connection G3 / 4 AG, right
- Flushing plug G3/4 AG
- Plaster cover

Dimensions: W / H / D 525 / 1120 / 160 mm (with waste pipe)  
Suitable for standard wall-hung WCs.

### Accessories:

Sound-decoupled wall brackets for pre-wall installation, page 47  
Flush plates and flushing systems from page 59

### Note:

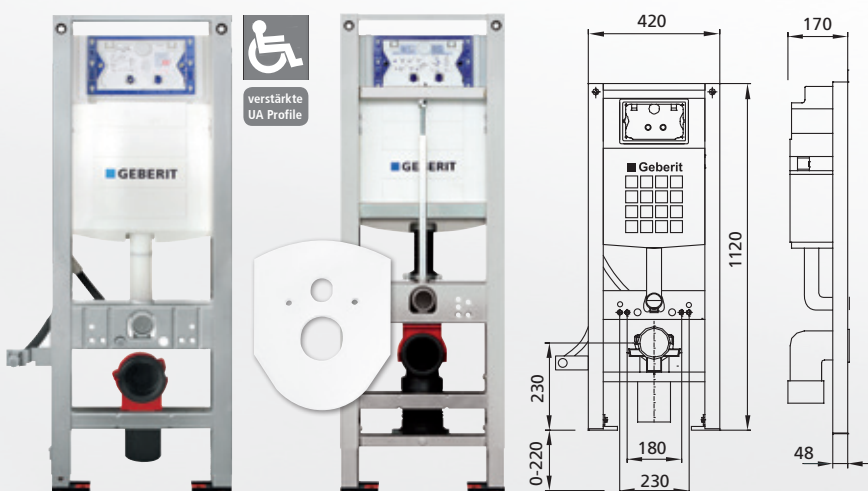
WC power brackets for WC ceramics with small contact surface less 17 cm (e.g. Flaminia, Sentique), page 45

Design \_\_\_\_\_ Ref. no. \_\_\_\_\_

Schell concealed WC flush valve Compact II 211246



## BS+ wall-mounted WC element for barrier-free WC facilities



- Galvanised, self-supporting and sound-decoupled steel construction
- Reduced element width 420 mm
- WC ceramic fixtures 180 and 230 mm
- Connection bend made of PE-HD, DN 90 mm Incl. transition sleeve made of PE-HD, DN 90/110 mm
- Wall-mounted WC connection set
- Built-in, condensation-insulated concealed cistern with dual-flush technology
- Building protection for inspection opening
- Construction plug for inlet and outlet pipe
- All mounting and assembly accessories
- Adjustable footrests up to max. 0-220 mm
- Cistern connection bracket with integrated or separate angle valve
- Actuation from the front

Dimensions: W / H / D 420 / 1120 / 170 mm (with waste pipe)  
Suitable for standard wall-hung WCs.

### Accessories:

Sound-decoupled wall brackets for pre-wall installation, page 47  
Flush plates and flushing systems from page 59

### Note:

WC power brackets for WC ceramics with small contact surface less 17 cm (e.g. Flaminia, Sentique), page 45

Design \_\_\_\_\_ Ref. no. \_\_\_\_\_

Design \_\_\_\_\_ Ref. no. \_\_\_\_\_

### barrier-free Installation height 1120 mm

Geberit cistern Sigma with 2-quantity flush 211148.00

Burda cistern K770 with 2-quantity flush 211150.00

Geberit cistern Sigma with 2-quantity flush 220099.00

Odour extraction exhaust air 50 mm prepared

Geberit cistern Sigma with 2-quantity flush 211090.00

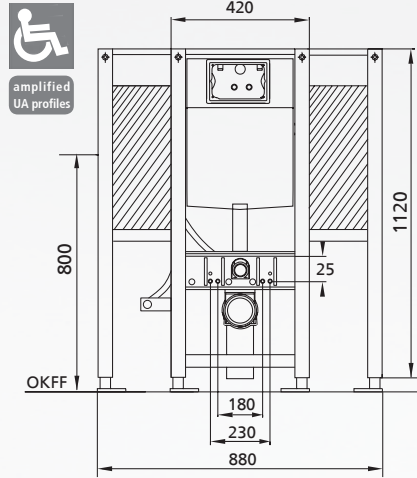
with cover plate (white) 8 cm height adjustable after tiling

all WC frames with Geberit cistern: compatible with Duravit Sensowash® and Geberit AquaClean WCs

WC frames with Geberit cistern Sigma: additionally compatible with Geberit Duo-Fresh inserts (cleaning cubes)



**BS+ wall-mounted WC element for barrier-free WC facilities**  
incl. mounting plates for folding support handles right + left



Design \_\_\_\_\_ Ref. no. \_\_\_\_\_

**barrier-free Installation height 1120 mm**

Geberit cistern Sigma  
with 2-quantity flush  
**Width 880 mm** 211600.00

Burda cistern K770  
with 2-quantity flush 211700.00

- Galvanised, self-supporting and sound-decoupled steel construction
- WC ceramic fixtures 180 and 230 mm
- Connection bend made of PE-HD, DN 90 mm  
Incl. transition sleeve made of PE-HD, DN 90/110 mm
- Wall-mounted WC connection set
- Built-in, condensation-insulated concealed cistern with dual-flush technology
- Building protection for inspection opening
- Construction plug for inlet and outlet pipe
- All mounting and assembly accessories
- Adjustable footrests up to max. 0-220 mm
- Cistern connection bracket with integrated or separate angle valve
- Mounting plate right and left
- Actuation from the front

Dimensions: W / H / D 880 / 1120 / 170 mm (with waste pipe)  
Suitable for standard wall-hung WCs.

**Accessories included:**  
4 Sound-decoupled wall brackets for pre-wall mounting

**Accessories optional:**  
Flush plates and flushing systems from page 59

**Note:**  
WC power brackets for WC ceramics with small contact surface less 17 cm (e.g. Flaminia, Sentiche), page 45

all WC frames with Geberit cistern:  
compatible with Duravit Sensowash®  
and Geberit AquaClean WCs

WC frames with Geberit cistern Sigma:  
additionally compatible with Geberit  
Duo-Fresh inserts (cleaning cubes)



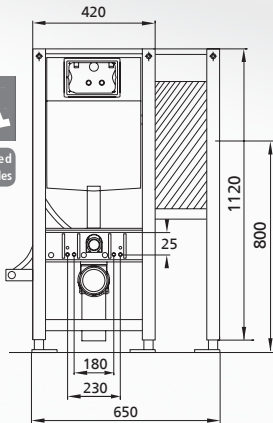
**BS+ wall-mounted WC element for barrier-free WC facilities**  
incl. mounting plates for hinged support handles, optionally right / left



with mounting on the right



with mounting on the left



- Galvanised, self-supporting and sound-decoupled steel construction
- WC ceramic fixtures 180 and 230 mm
- Connection bend made of PE-HD, DN 90 mm  
Incl. transition sleeve made of PE-HD, DN 90/110 mm
- Wall-mounted WC connection set
- Built-in, condensation-insulated concealed cistern with dual-flush technology
- Building protection for inspection opening
- Construction plug for inlet and outlet pipe
- All mounting and assembly accessories
- Adjustable footrests up to max. 0-220 mm
- Cistern connection bracket with integrated or separate angle valve
- Mounting plate right or left
- Actuation from the front

Dimensions: W / H / D 750 / 1120 / 170 mm (with waste pipe)  
Suitable for standard wall-hung WCs.

**Accessories included:**  
3 Sound-decoupled wall brackets for pre-wall mounting

**Accessories optional:**  
Flush plates and flushing systems from page 59

**Note:**  
WC power brackets for WC ceramics with small contact surface less 17 cm (e.g. Flaminia, Sentiche), page 45

all WC frames with Geberit cistern:  
compatible with Duravit Sensowash®  
and Geberit AquaClean WCs

WC frames with Geberit cistern Sigma:  
additionally compatible with Geberit  
Duo-Fresh inserts (cleaning cubes)



Design \_\_\_\_\_ Ref. no. \_\_\_\_\_

**with mounting on the right**  
Installation height 1120 mm

Geberit cistern Sigma  
with 2-quantity flush 211606.00  
Burda cistern K770  
with 2-quantity flush 211303.00

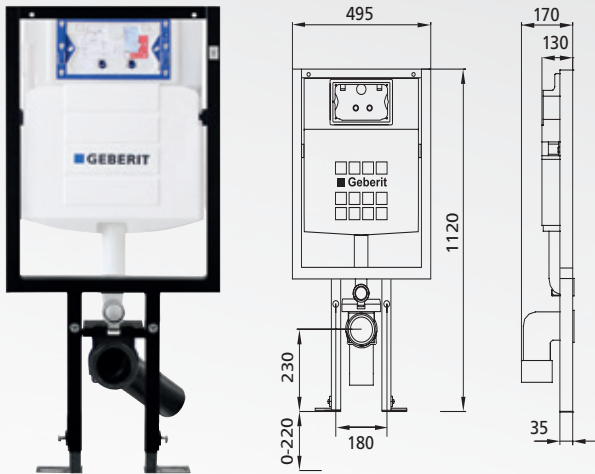
Design \_\_\_\_\_ Ref. no. \_\_\_\_\_

**with mounting on the left**  
Installation height 1120 mm

Geberit cistern Sigma  
with 2-quantity flush 211666.00  
Burda cistern K770  
with 2-quantity flush 211330.00

**BS+ WC element „Reno-Kit“**

Replacement module for existing stud walls / pre-wall installations



- Galvanised, self-supporting and sound-decoupled steel construction
- WC ceramic fixtures 180 mm
- Connection bend made of PE-HD, DN 90 mm  
Incl. transition sleeve made of PE-HD, DN 90/110 mm
- Wall-mounted WC connection set
- Built-in, condensation-insulated concealed cistern with dual-flush technology
- Building protection for inspection opening
- Construction plug for inlet and outlet pipe
- All mounting and assembly accessories
- Adjustable footrests up to max. 0-220 mm
- Cistern connection bracket with integrated or separate angle valve
- Actuation from the front

Dimensions: W / H / D 495 / 1120 / 170 mm (with waste pipe)  
Suitable for standard wall-hung WCs.

**Accessories:**

Flush plates and flushing systems from page 59

Design Ref. no.

**barrier-free Installation height 1120 mm**

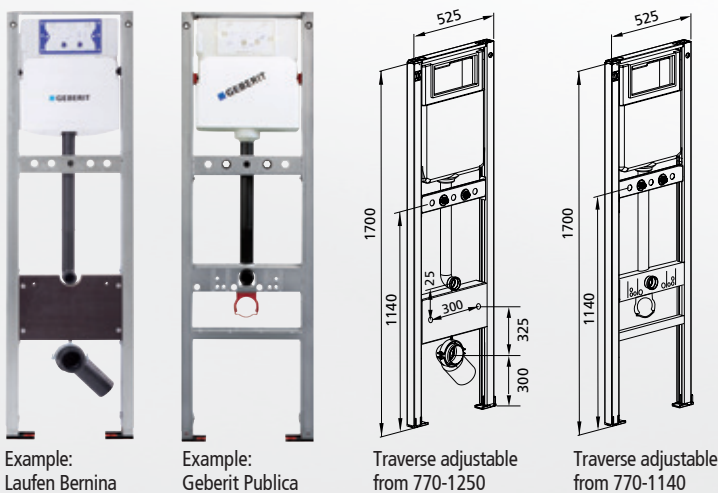
Geberit cistern Sigma with 2-quantity flush	211630.00
Burda cistern K770 with 2-quantity flush	211635.00

all WC frames with Geberit cistern: compatible with Duravit Sensowash® and Geberit AquaClean WCs

WC frames with Geberit cistern Sigma: additionally compatible with Geberit Duo-Fresh inserts (cleaning cubes)



**BS+ element for Laufen Bernina / Geberit Publica wall-mounted sinks (formerly Keramag Espital) with concealed cistern, for wall-mounted tap**



Example: Laufen Bernina

Example: Geberit Publica

Traverse adjustable from 770-1250

Traverse adjustable from 770-1140

- Galvanised, self-supporting and sound-decoupled steel construction
- WC ceramic fixtures 180 and 230 mm
- Connection bend made of PE-HD, DN 90 mm  
Incl. transition sleeve made of PE-HD, DN 90/110 mm
- Wall-mounted WC connection set
- Built-in, condensation-insulated concealed cistern with dual-flush technology
- Building protection for inspection opening
- Construction plug for inlet and outlet pipe
- All mounting and assembly accessories
- Adjustable footrests up to max. 0-220 mm
- Cistern connection bracket (exception 211061, 211062) with integrated or separate angle valve
- 2 sound-decoupled, width-adjustable 1/2" wall ducts
- Actuation from the front

Dimensions: W / H / D 525 / 1700 / 160 mm (with waste pipe)

**Accessories:**

Sound-decoupled wall brackets for pre-wall installation, page 47  
Flush plates and flushing systems from page 59

Design Ref. no.

**Laufen Bernina Installation height 1700 mm**

Geberit cistern Sigma with 2-quantity flush	211057.00
Geberit cistern Delta with 2-quantity flush	211061.99
Burda cistern K770 with 2-quantity flush	211065.00

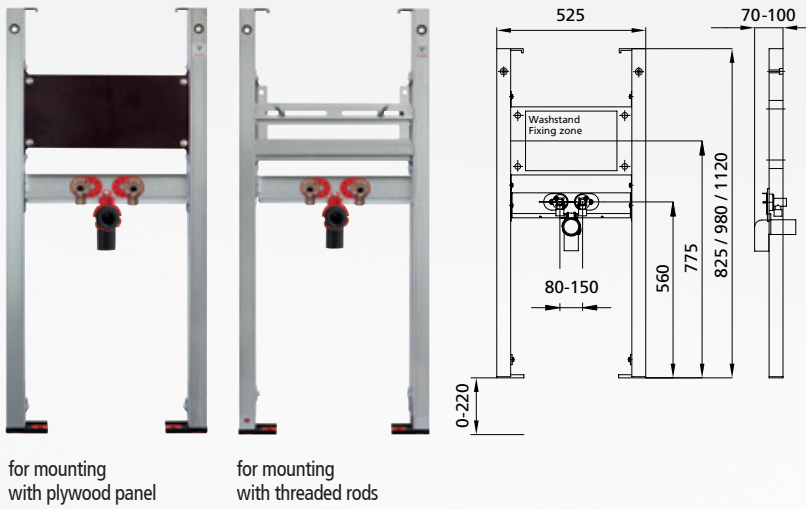
Design Ref. no.

**Geberit Publica Installation height 1700 mm**

Geberit cistern Sigma with 2-quantity flush	211060.00
Geberit cistern Delta with 2-quantity flush	211062.99
Burda cistern K770 with 2-quantity flush	211066.00



**BS+ washstand element for standing fitting**



for mounting with plywood panel

for mounting with threaded rods

Design	Ref. no.	Design	Ref. no.
<b>Installation height 825-980 mm for standing fitting</b>		<b>Installation height 1120 mm for standing fitting</b>	
for fastening with plywood panel	212018.xx	for fastening with plywood panel	212005.xx
For fastening with threaded rods	212218.xx	For fastening with threaded rods	212205.xx

- Galvanised, self-supporting and sound-decoupled steel construction
- Mounting plate for variable washbasin installation
- Connection elbow PE-HD DN 50
- Rubber nipple 32 mm
- All mounting and assembly accessories
- Adjustable footrests up to max. 0-220 mm
- Fitting plate with 2 sound-decoupled, width-adjustable wall discs 1/2"

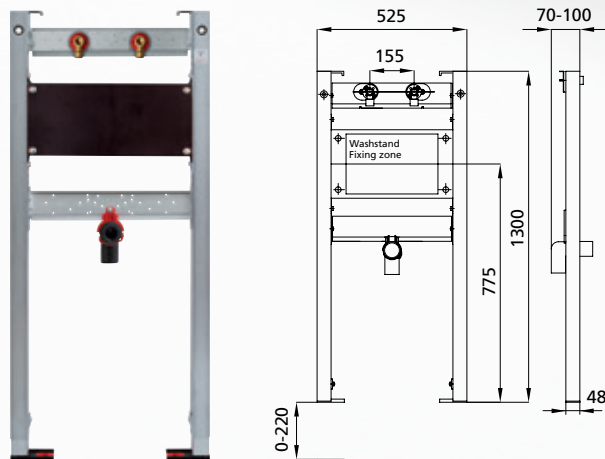
Dimensions: W / H / D 525 / 825, 980 oder 1120 / 70-100 mm (with waste pipe), WT mounting dimension max. 375 mm

**Accessories:**  
Sound-decoupled wall brackets for pre-wall installation, page 47

**Note:**  
Replace end number .xx with .00 for standard connection 1/2" x 1/2" .99 without connection



**BS+ washstand element for wall fitting**



Design Ref. no.

**Installation height 1300 mm for wall fitting** 212029.xx

- Galvanised, self-supporting and sound-decoupled steel construction
- Mounting plate for variable washbasin installation
- Connection elbow PE-HD DN 50
- Rubber nipple 32 mm
- All mounting and assembly accessories
- Adjustable footrests up to max. 0-220 mm
- Fitting plate with 2 sound-decoupled, width-adjustable wall discs 1/2"

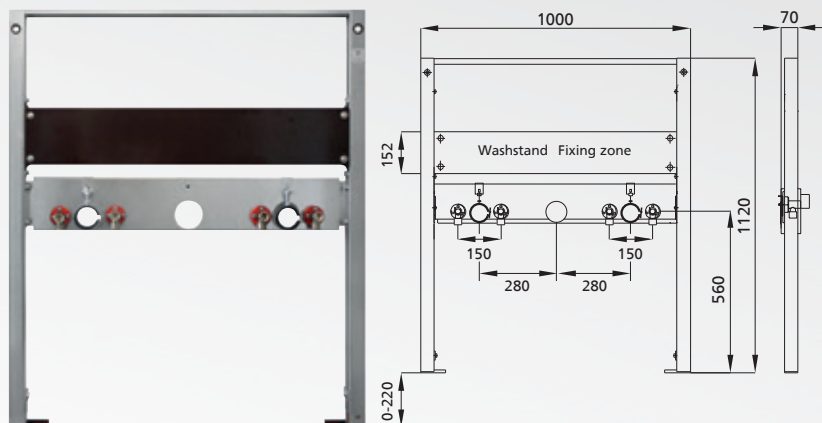
Dimensions: W / H / D 525 / 1120 / 70-100 mm (with waste pipe) WT mounting dimension max. 375 mm

**Accessories:**  
Sound-decoupled wall brackets for pre-wall installation, page 47

**Note:**  
Replace end number .xx with .00 for standard connection 1/2" x 1/2" .99 without connection



## BS+ in-line washstand element, 112 cm, for standing fitting



Example 212041.00

- Galvanised, self-supporting and sound-decoupled steel construction
- Mounting plate for variable washbasin installation
- Connection elbow PE-HD DN 50
- Rubber nipple 32 mm
- All mounting and assembly accessories
- Adjustable footrests up to max. 0-220 mm
- Fitting plate with 2 sound-decoupled, width-adjustable wall discs 1/2"

Dimensions: W / H / D 1000 / 1120 / 70 mm (with waste pipe)  
On request also 825 or 980 mm height

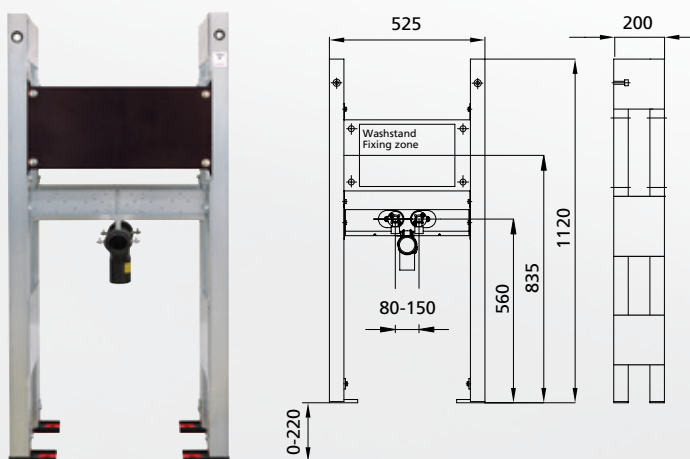
**Accessories:**  
Sound-decoupled wall brackets for pre-wall installation, page 47

**Note:**  
Please submit a drawing of the washbasin used with the order.

Design	Ref. no.	Design	Ref. no.
<b>Universal Duo washstand</b>		<b>Universal Duo washstand</b>	
2 x stand fittings, 1 x centre drain	212040.00	2 x stand fittings, 2 x drain	212041.00



## BS+ double washstand element



Design	Ref. no.
--------	----------

Installation height 1120 mm  
for wall fitting 212221.xx

- Galvanised, self-supporting and sound-decoupled steel construction
- Mounting plate for variable washbasin installation
- HDPE breeches branch DN 50
- All mounting and assembly accessories
- Adjustable footrests up to max. 0-220 mm
- Fitting plate with 2 sound-decoupled, width-adjustable wall discs 1/2"

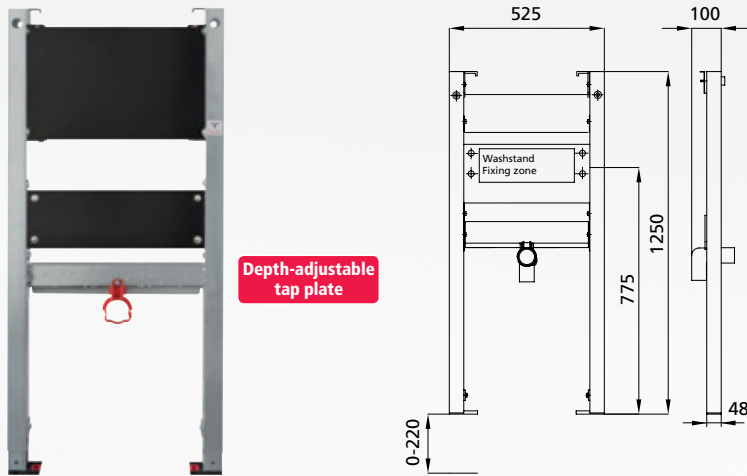
Dimensions: W / H / D 525 / 825, 980 or 1120 / 200 mm (with waste pipe)  
WT mounting dimension max. 375 mm

**Accessories:**  
Sound-decoupled wall brackets for pre-wall installation, page 47

**Note:**  
Replace end number .xx with .00 for standard connection 1/2" x 1/2"  
.99 without connection



**BS+ washstand element for concealed fitting**



Depth-adjustable tap plate

Design \_\_\_\_\_ Ref. no. \_\_\_\_\_

**Installation height 1250 mm for concealed fitting** 212030.99

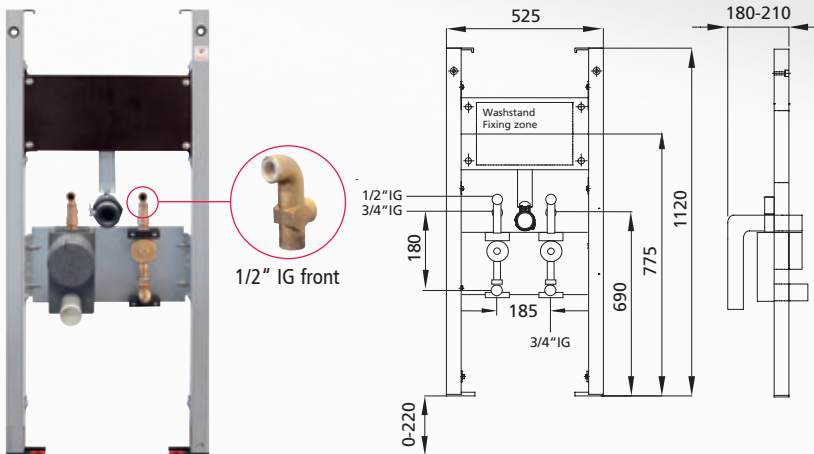
- Galvanised, self-supporting and sound-decoupled steel construction
- Mounting plate for variable washbasin installation
- Connection elbow PE-HD DN 50
- Rubber nipple 32 mm
- All mounting and assembly accessories
- Adjustable footrests up to max. 0-220 mm

Dimensions: W / H / D 525 / 1250 / 100 mm (with waste pipe), WT mounting dimension max. 375 mm

**Accessories:**  
Sound-decoupled wall brackets for pre-wall installation, page 47



**BS+ washstand element for water meter and concealed shut-off valve**



1/2" IG front

Design \_\_\_\_\_ Ref. no. \_\_\_\_\_

**Installation height 1120 mm for free-standing fitting**  
for 2 water meters 212028.00

- Galvanised, self-supporting and sound-decoupled steel construction
- Mounting plate for variable washbasin installation
- Connection elbow PE-HD DN 50
- Rubber nipple 32 mm
- All mounting and assembly accessories
- Adjustable footrests up to max. 0-220 mm
- Fitting plate
- 2 concealed fitting combinations, gunmetal water meter shut-off valves, incl. insulation, which also serves as a plastering aid, Gunmetal in accordance with DIN-EN 1982 and DIN 50930 Part 6, sealing elements made of EPDM (KTW, W270 tested), consisting of: Concealed single-pipe connection piece for MTK / MTW-NG (2" EAS) incl. dummy cover and gasket set; UP piston valve, free of dead space and low pressure loss, DIN-DVGW tested with sound insulation in accordance with DIN 4109 (fitting group 1) 2 sound-insulated brackets; 2-part polystyrene insulation Building material class B1, permissible operating overpressure PB: 10 bar Permissible operating temperature TB: 90 °C, flow medium: drinking water

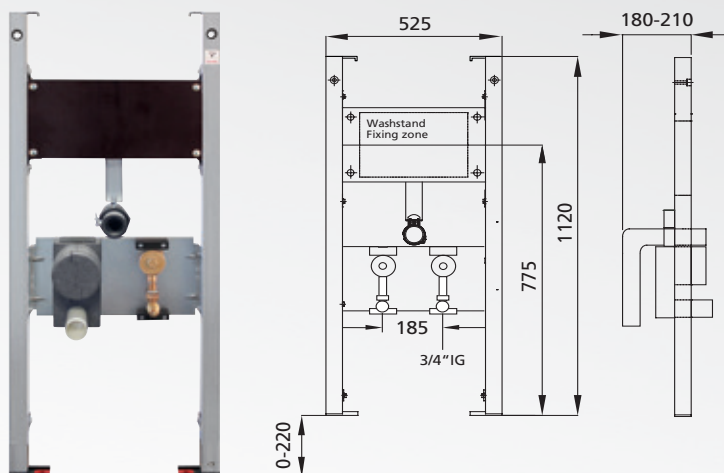
Dimensions: W / H / D 525 / 1120 / 180-210 mm (with waste pipe), WT mounting dimension max. 375 mm

**Accessories:**  
Sound-decoupled wall brackets for pre-wall installation, page 47

**Optional:**  
Pre-assembled shut-off valve set of 2 pieces  
Item no. 960056



## BS+ washstand element for water meter and concealed shut-off valve



Design \_\_\_\_\_ Ref. no. \_\_\_\_\_

**Installation height 1120 mm  
for free-standing fitting**

for 2 water meters  
without connections

212028.99

- Galvanised, self-supporting and sound-decoupled steel construction
- Mounting plate for variable washbasin installation
- Connection elbow PE-HD DN 50
- Rubber nipple 32 mm
- All mounting and assembly accessories
- Adjustable footrests up to max. 0-220 mm
- Fitting plate
- Upper part for the barrier, chrome
- 2 concealed fitting combinations, gunmetal water meter shut-off valves, incl. insulation, which also serves as a plastering aid, Gunmetal in accordance with DIN-EN 1982 and DIN 50930 Part 6, sealing elements made of EPDM (KTW, W270 tested), consisting of: Concealed single-pipe connection piece for MTK / MTW-NG (2" EAS) incl. dummy cover and gasket set; UP piston valve, free of dead space and low pressure loss, DIN-DVGW tested with sound insulation in accordance with DIN 4109 (fitting group 1) 2 sound-insulated brackets; 2-part polystyrene insulation Building material class B1, permissible operating overpressure PB: 10 bar Permissible operating temperature TB: 90 °C, flow medium: drinking water

Dimensions: W / H / D 525 / 1120 / 180-210 mm (with waste pipe),  
WT mounting dimension max. 375 mm

### Accessories:

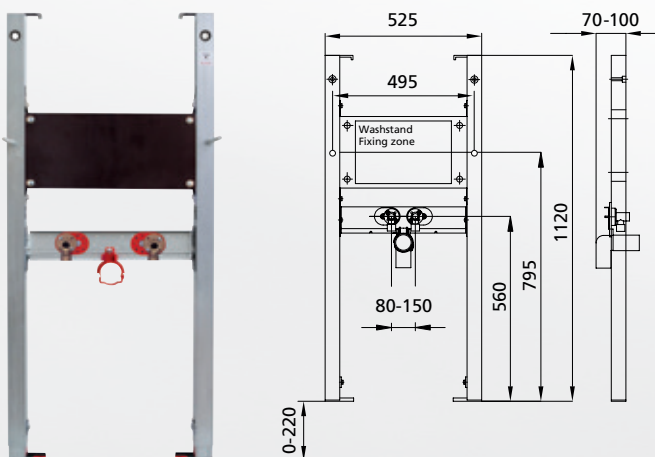
Sound-decoupled wall brackets for pre-wall installation, page 47

### Optional:

Pre-assembled shut-off valve set of 2 pieces  
Item no. 960056



## BS+ washstand element for free-standing fitting for washstand Duravit Scola #68460, #68560



Design \_\_\_\_\_ Ref. no. \_\_\_\_\_

**Installation height 1120 mm  
for free-standing fitting**

212007.xx

- Galvanised, self-supporting and sound-decoupled steel construction
- Mounting plate for variable washbasin installation
- Connection elbow PE-HD DN 50
- Rubber nipple 32 mm
- All mounting and assembly accessories
- Adjustable footrests up to max. 0-220 mm
- Fitting plate with 2 sound-decoupled, width-adjustable wall discs 1/2"
- Fixing bolt, distance 495 mm

Dimensions: W / H / D 525 / 1120 / 70-100 mm (with waste pipe),  
Surcharge for other connection types on request

### Accessories:

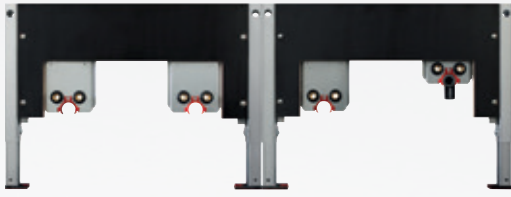
Sound-decoupled wall brackets for pre-wall installation, page 47

### Note:

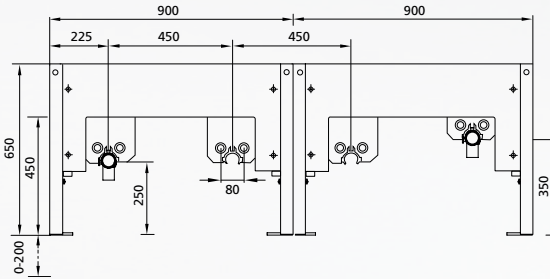
Replace end number .xx with .00 for standard connection 1/2" x 1/2"  
.99 without connection



**BS+ washstand element for Geberit Bambini washbasins** (new from April 2024)



Example 212048.00



- Galvanised, self-supporting and sound-decoupled steel construction
- Mounting plate for variable washbasin installation
- Connection elbow PE-HD DN 50
- Rubber nipple 32 mm
- All mounting and assembly accessories
- Adjustable footrests up to max. 0-220 mm

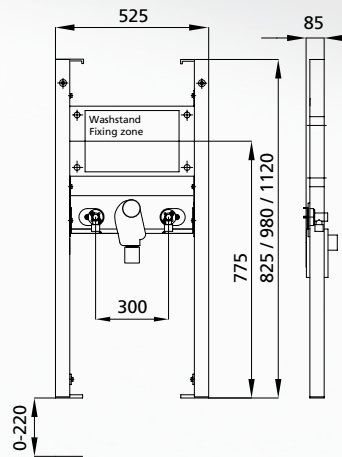
**Accessories:**

Sound-decoupled wall brackets for pre-wall installation, page 47

Design	Ref. no.	Design	Ref. no.
2 washbasins, deeper basin on the left	212044.00	2 washbasins, deeper basin on the right	212045.00
3 washbasins, deeper basin on the left	212046.00	3 washbasins, deeper basin on the right	212047.00
4 washbasins, deeper basin on the left	212048.00	4 washbasins, deeper basin on the right	212049.00



**BS+ washstand element for free-standing fitting**  
Barrier-free design with trap



- Galvanised, self-supporting and sound-decoupled steel construction
- Mounting plate for variable washbasin installation
- Built-in flush-mounted trap
- Connection elbow and cover chrome
- All fastening and mounting accessories for elements and washbasin
- Adjustable footrests up to max. 0-220 mm
- Fitting plate with 2 sound-decoupled, width-adjustable wall discs 1/2"

Dimensions: W / H / D 525 / 825, 980 oder 1120 / 85 mm, (with waste pipe), WT mounting dimension max. 375 mm

**Accessories:**

Sound-decoupled wall brackets for pre-wall installation, page 47

**Note:**

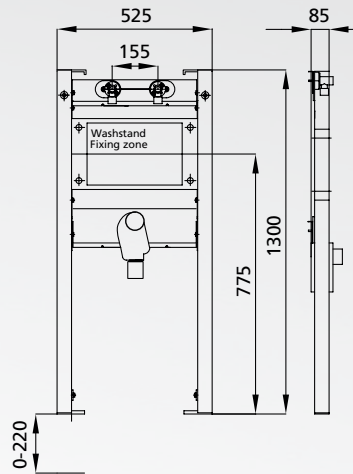
Replace end number .xx with .00 for standard connection 1/2" x 1/2" .99 without connection

Design	Ref. no.	Design	Ref. no.
<b>Installation height 825 - 980 mm for free-standing fitting</b>		<b>Installation height 1120 mm for free-standing fitting</b>	
Haas OHA 3500 trap	212139.xx	Haas OHA 3500 trap	212136.xx
Geberit trap	212339.xx	Geberit trap	212336.xx





**BS+ washstand element for wall fitting**  
Barrier-free design with trap



- Galvanised, self-supporting and sound-decoupled steel construction
- Mounting plate for variable washbasin installation
- Built-in flush-mounted trap
- Connection elbow and cover chrome
- All fastening and mounting accessories
- Adjustable footrests up to max. 0-220 mm
- Fitting plate with 2 sound-decoupled, width-adjustable wall discs 1/2"

Dimensions: W / H / D 525 / 1120 / 85 mm (with waste pipe),  
WT mounting dimension max. 375 mm

**Accessories:**

Sound-decoupled wall brackets for pre-wall installation, page 47

**Note:**

Replace end number .xx with .00 for standard connection 1/2" x 1/2"  
.99 without connection

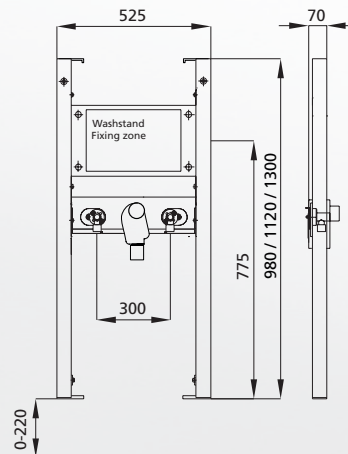
Design \_\_\_\_\_ Ref. no. \_\_\_\_\_

**Installation height 1300 mm  
for wall fitting**

Haas OHA 3500 trap	212143.xx
Geberit trap	212343.xx



**BS+ washstand element for free-standing fitting**  
Barrier-free design for Paracelsus/Vitalis



- Galvanised, self-supporting and sound-decoupled steel construction
- Mounting plate for variable washbasin installation
- built-in trap
- Connecting elbow and cover white and chrome standpipe
- All fastening and mounting accessories
- Adjustable footrests up to max. 0-220 mm
- Fitting plate with 2 sound-decoupled, width-adjustable wall discs 1/2"

Dimensions: W / H / D 525 / 980, 1120 oder 1300 / 70 mm  
(with waste pipe), WT mounting dimension max. 375 mm

**Accessories:**

Sound-decoupled wall brackets for pre-wall installation, page 47

**Note:**

Replace end number .xx with .00 for standard connection 1/2" x 1/2"  
.99 without connection

Design \_\_\_\_\_ Ref. no. \_\_\_\_\_

**Installation height 980 mm  
for free-standing fitting**

Haas OHA 3500 trap	213142.xx
--------------------	-----------

**Installation height 1120 mm  
for free-standing fitting**

Haas OHA 3500 trap	213138.xx
--------------------	-----------

Geberit trap	213338.xx
--------------	-----------

Design \_\_\_\_\_ Ref. no. \_\_\_\_\_

**Installation height 1300 mm  
for free-standing fitting**

Haas OHA 3500 trap	213140.xx
--------------------	-----------

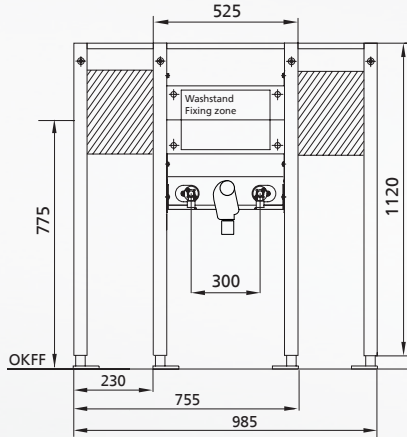
Geberit trap	213340.xx
--------------	-----------



BS+ washstand element for free-standing fitting,  
Barrier-free design with concealed trap,  
incl. mounting plates for folding support handles right + left



Example Connection elbow  
PE-HD DN 50, Haas OHA 3500



Design \_\_\_\_\_ Ref. no. \_\_\_\_\_

Installation height 1120 mm  
right + left  
for free-standing fitting

Haas OHA 3500 trap	212616.xx
Geberit trap	212636.xx

- Galvanised, self-supporting and sound-decoupled steel construction
- Mounting plate for variable washbasin installation
- Built-in flush-mounted trap
- Connection elbow and cover chrome
- All fastening and mounting accessories for elements and washbasin
- Adjustable footrests up to max. 0-220 mm
- Fitting plate with 2 sound-decoupled, width-adjustable wall discs 1/2"
- Mounting plate left and right

Dimensions: W / H / D 985 / 1120 / 85 mm (with waste pipe), for 2 handles  
WT mounting dimension max. 375 mm

Accessories:

Sound-decoupled wall brackets for pre-wall installation, page 47

**Note:**

Replace end number .xx with .00 for standard connection 1/2" x 1/2"  
.99 without connection



BS+ washstand element for free-standing fitting,  
Barrier-free design with concealed trap,  
incl. mounting plates for folding support handles right or left



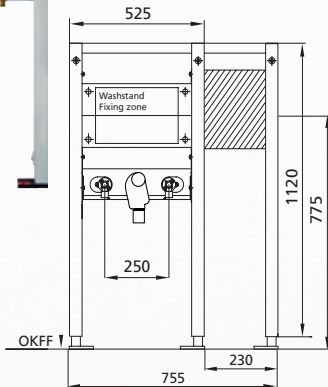
with fastening on the right



with fastening on the left



Example Connection elbow  
PE-HD DN 50,  
Haas OHA 3500



Design \_\_\_\_\_ Ref. no. \_\_\_\_\_

Installation height 1120 mm  
right for free-standing fitting

Haas OHA 3500 trap	212676.xx
Geberit trap	212696.xx

left for free-standing fitting

Haas OHA 3500 trap	212160.xx
Geberit trap	212360.xx

- Galvanised, self-supporting and sound-decoupled steel construction
- Mounting plate for variable washbasin installation
- Built-in flush-mounted trap
- Connection elbow and cover chrome
- All fastening and mounting accessories for elements and washbasin
- Adjustable footrests up to max. 0-220 mm
- Fitting plate with 2 sound-decoupled, width-adjustable wall discs 1/2"
- Mounting plate left or right

Dimensions: W / H / D 755 / 1120 / 85 mm (with waste pipe), for 1 handle  
WT mounting dimension max. 375 mm

Accessories:

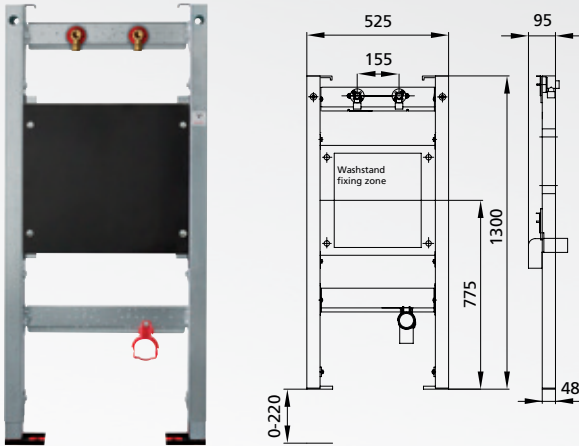
Sound-decoupled wall brackets for pre-wall installation, page 47

**Note:**

Replace end number .xx with .00 for standard connection 1/2" x 1/2"  
.99 without connection



### BS+ sink element for wall fitting



Design \_\_\_\_\_ Ref. no. \_\_\_\_\_

**Installation height 1300 mm for wall fitting** 212012.xx

- Galvanised, self-supporting and sound-decoupled steel construction
- Mounting plate for variable sink installation
- Connection elbow PE-HD DN 50
- All fastening and mounting accessories
- Adjustable footrests up to max. 0-220 mm
- Fitting plate with 2 sound-decoupled, width-adjustable wall discs 1/2"

Dimensions: W / H / D 525 / 1120 / 95 mm (with waste pipe),  
WT mounting dimension max. 375 mm

**Accessories:**

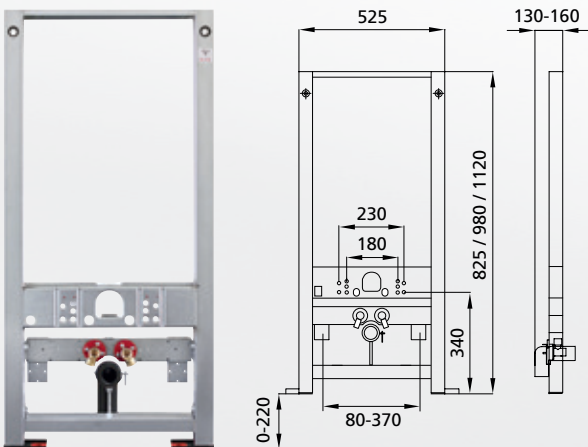
Sound-decoupled wall brackets for pre-wall installation, page 47

**Note:**

Replace end number .xx with .00 for standard connection 1/2" x 1/2"  
.99 without connection



### BS+ wall-mounted bidet element



Design \_\_\_\_\_ Ref. no. \_\_\_\_\_

**Installation height 825 mm** 233002.xx

**Installation height 980 mm** 223002.xx

**Installation height 1120 mm** 213002.xx

- Galvanised, self-supporting and sound-decoupled steel construction
- Variable bidet ceramic fittings
- Connection elbow PE-HD DN 50
- Rubber nipple 32 mm
- All fastening and mounting accessories
- Adjustable footrests up to max. 0-220 mm
- 2 sound-decoupled, width-adjustable wall discs 1/2"

Dimensions: W / H / D 525 / 825, 980 oder 1120 / 130-160 mm  
(with waste pipe), suitable for bidets, see fitting list (enclosed in the box)

**Accessories:**

Sound-decoupled wall brackets for pre-wall installation, page 47

**Note:**

Replace end number .xx with .00 for standard connection 1/2" x 1/2"  
.99 without connection

**Note:**

With some ceramics, it may be necessary to mount the supplied clamp in the crossbar from below rather than from above, so that the abutment (absorbs the force of the ceramic) as close as possible to the back of the ceramic.

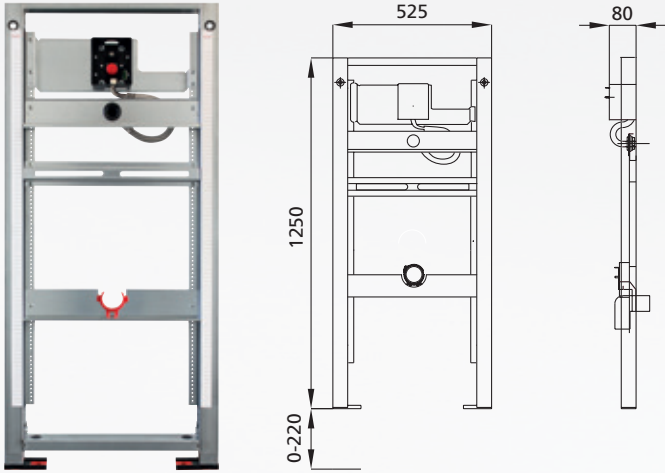
In some assembly cases, it may also be necessary the threaded rod must be shortened accordingly.

These points should be clarified beforehand by looking at the ceramic.

As the manufacturer, we do not accept any liability for incorrect installation!



**BS+ urinal element with concealed flush valve or shell set and empty element**



- Galvanised, self-supporting and sound-decoupled steel construction
- Mounting plate for variable urinal installation
- Adjustable, sound-decoupled water inlet traverse
- Adjustable drain crossbar
- swivelling drain elbow DN 50
- Pre-assembled flush-mounted flush valve or pipework set
- Construction protection for inspection opening
- All fastening and mounting accessories
- Adjustable footrests up to max. 0-220 mm
- Connection 1/2"
- Urinal trap (#255101, 255102, 255103 und 255104 ohne),
- Urinal connection set (#255101, 255102, 255103 und 255104 ohne),

Dimensions: W / H / D 525 / 1120-1250 / 80 mm

**Accessories:**

Sound-decoupled wall brackets for pre-wall installation, page 47

**Note:**

Suitable for urinals, see fitting list (enclosed in the box).

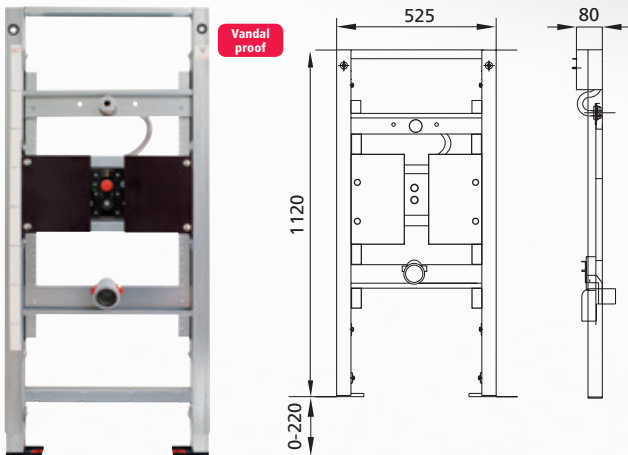
Design	Ref. no.	Design	Ref. no.
--------	----------	--------	----------

**Installation height 1250 mm**

Burda flush valve U-05/06	214029	Blank element Universal for surface-mounted flush valves/ waterless urinals	214556
Burda flush valve U-05/06 for spray head	214030		



**BS+ urinal element with flush-mounted shell set Flowtronik**



- Galvanised, self-supporting and sound-decoupled steel construction
- Mounting plate for variable urinal installation
- Adjustable, sound-decoupled water inlet traverse
- Adjustable drain crossbar
- Pre-assembled shell set with 230 V connection
- Valve block with water shut-off
- Functions: Standard and stadium operation, forced flushing
- Construction protection for inspection opening
- All fastening and mounting accessories
- Adjustable footrests up to max. 0-220 mm
- Connection 1/2"
- Urinal connection set

Dimensions: W / H / D 525 / 1120 / 80 mm

**Accessories:**

Sound-decoupled wall brackets for pre-wall installation, page 47

**Note:**

Suitable for urinals with horizontal outlet to the rear (vertical outlet on request), see fitting list (enclosed in the box).

Not suitable for urinals with moulded-in trap, e.g. V&B Omnia Pro #7502 00, #7503 00, #7504 00 etc.

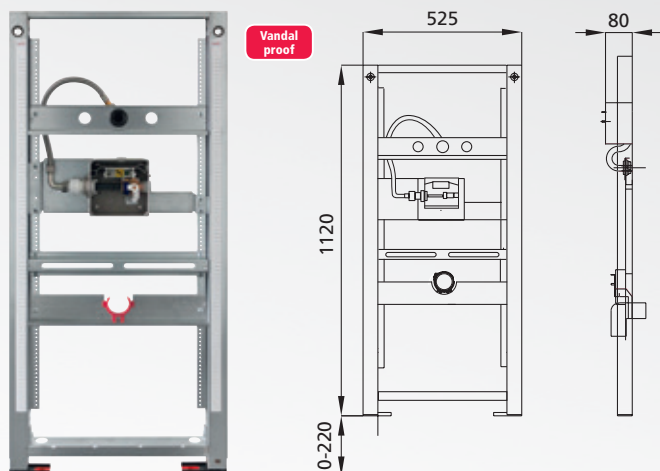
Design	Ref. no.
--------	----------

**Installation height 1120 mm**

Burda shell set Flowtronik	214800
Burda shell set Flowtronik for spray head	214801



## BS+ urinal-element with flush-mounted shell set Geberit VS



- Galvanised, self-supporting and sound-decoupled steel construction
- Mounting plate for variable urinal installation
- Adjustable, sound-decoupled water inlet traverse
- Adjustable drain crossbar
- Pre-assembled shell set with 230 V connection
- Valve block with water shut-off
- Functions: Standard and stadium operation, forced flushing
- Construction protection for inspection opening
- All fastening and mounting accessories
- Adjustable footrests up to max. 0-220 mm
- Connection 1/2"
- Urinal connection set

Dimensions: W / H / D 525 / 1120 / 80 mm

### Accessories:

Urinal flushing systems from page 78

Sound-decoupled wall brackets for pre-wall installation, page 47

### Note:

Suitable for urinals with horizontal outlet to the rear (vertical outlet on request), see fitting list (enclosed in the box).

Not suitable for urinals with moulded-in trap, e.g. V&B Omnia Pro #7502 00, #7503 00, #7504 00 etc.

Design	Ref. no.
--------	----------

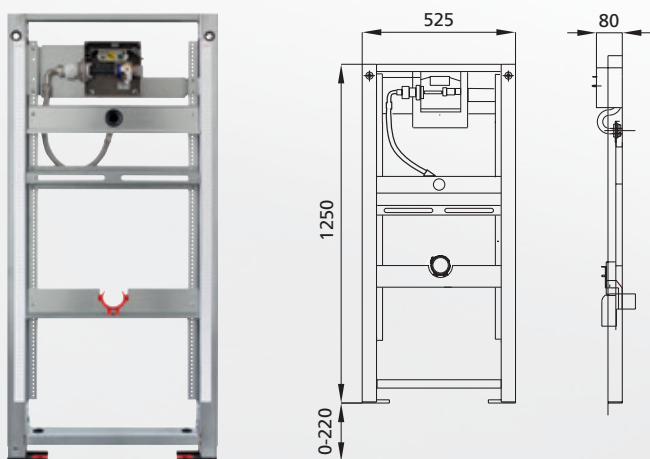
### Installation height 1120 mm

Geberit shell set Universal for VS	214718
------------------------------------	--------

Geberit shell set Universal for VS for spray head	214720
---	--------



## BS+ urinal element with flush-mounted shell set or electronics



- Galvanised, self-supporting and sound-decoupled steel construction
- Mounting plate for variable urinal installation
- Adjustable, sound-decoupled water inlet traverse
- Adjustable drain crossbar
- Pre-assembled shell set
- Construction protection for inspection opening
- All fastening and mounting accessories
- Adjustable footrests up to max. 0-220 mm
- Connection 1/2"
- Urinal trap
- Urinal connection set

Dimensions: W / H / D 525 / 1120 - 1250 / 80 mm

### Accessories:

Urinal flushing systems from page 78

Sound-decoupled wall brackets for pre-wall installation, page 47

### Note:

Suitable for urinals, see passport list (enclosed in the box).

Design	Ref. no.	Design	Ref. no.
--------	----------	--------	----------

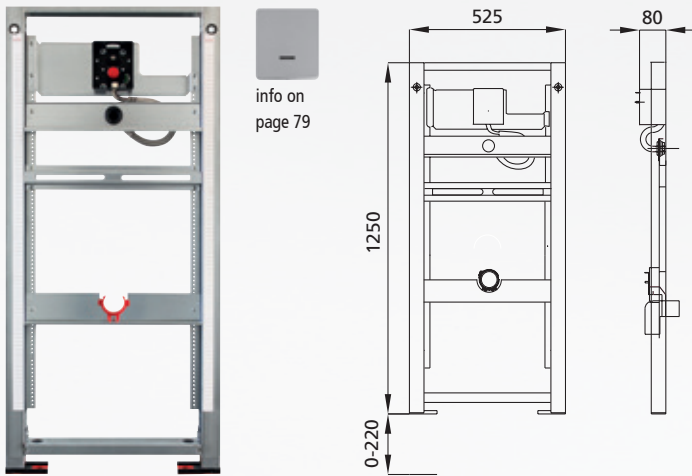
### Installation height 1250 mm

Geberit shell set universal for HyTronic and HyTouch	214712	for Geberit Flushcontrol	214856
--	--------	--------------------------	--------

Geberit shell set universal for HyTronic and HyTouch for spray head	214714	for Duravit Utronic	214506
---	--------	---------------------	--------



BS+ urinal-element with flush-mounted shell set or electronics



- Galvanised, self-supporting and sound-decoupled steel construction
- Mounting plate for variable urinal installation
- Adjustable, sound-decoupled water inlet traverse
- Adjustable drain crossbar
- Pre-assembled shell set
- Construction protection for inspection opening
- All fastening and mounting accessories
- Adjustable footrests up to max. 0-220 mm
- Connection 1/2"
- Urinal trap
- Urinal connection set

Dimensions: W / H / D 525 / 1250 / 80 mm

**Accessories:**

- Urinal flushing systems from page 78
- Sound-decoupled wall brackets for pre-wall installation, page 47

**Note:**

Suitable for urinals, see passport list (enclosed in the box).

Design	Ref. no.	Design	Ref. no.
--------	----------	--------	----------

**Installation height 1250 mm**

with Burda shell set for infrared electronics, for BurdaTronic U-09

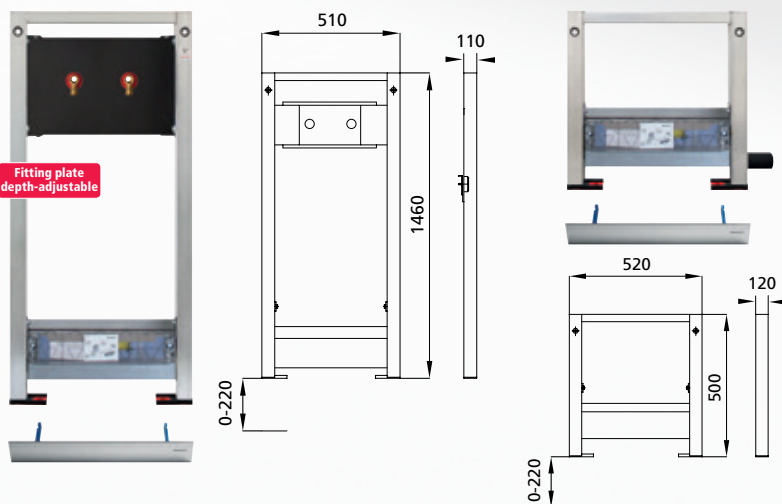
214989

Mit Burda shell set for infrared electronics, for BurdaTronic U-09 for spray head

214889



BS+ shower element with pre-mounted Geberit drain



For installation in a stud wall in accordance with DIN 18183 or in conjunction with accessory set art. no. 240012 as a single element in a pre-wall installation.

- Galvanised, self-supporting and sound-decoupled steel construction
- All fastening and mounting accessories
- Adjustable footrests up to max. 0-220 mm
- 2 sound-decoupled, width-adjustable wall discs 1/2" or fastenings for standard flush-mounted fittings
- Pre-assembled Geberit shower drain for draining floor-level showers, cover, plastic chrome

Dimensions: W / H / D 525 / 1460 / 80 mm,  
Dimensions: W / H / D 525 / 500 / 80 mm

**Accessories:**

- Sound-decoupled wall brackets for pre-wall installation, page 47

Prefabricated set for Geberit wall drain,



- Removable for cleaning
- With cover and allen key

Design	Ref. no.	Design	Ref. no.
--------	----------	--------	----------

Drain DN40 for screed height at inlet 65-90 mm  
Installation height 1460 mm

for surface-mounted fittings 230120.00

for flush-mounted fittings 218010

Installation height 500 mm 230125

Drain DN50 for screed height at inlet 90-200 mm  
Installation height 1460 mm

for surface-mounted fittings 230121.00

for flush-mounted fittings 218011

Installation height 500 mm 230126

Design	Ref. no.
--------	----------

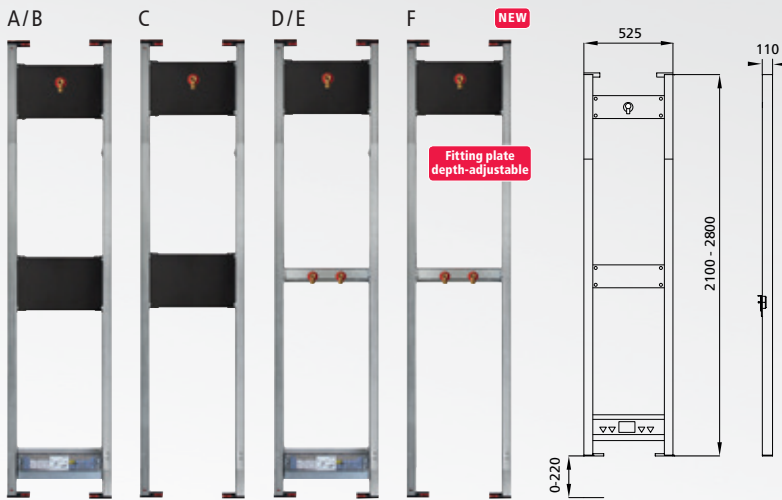
brushed stainless steel 230040

brushed stainless steel (for screwing) 230041

polished stainless steel 230042



BS+ shower element for showerhead



For installation in a stud wall in accordance with DIN 18183 or in a pre-wall installation.

- Galvanised, self-supporting and sound-decoupled steel construction
- All fastening and mounting accessories
- Adjustable footrests up to max. 0-220 mm
- 2 sound-decoupled, width-adjustable wall discs 1/2" or fastenings for standard flush-mounted fittings
- Crossbar for shower head
- Pre-assembled Geberit shower drain SH 30, sealing water height 30 mm, Drain DN40, for draining floor-level showers, cover Chrome plastic

Taverses are height and depth adjustable 40-110mm  
Dimensions: W / H / D 525 / 2100 - 2800 / 110 mm

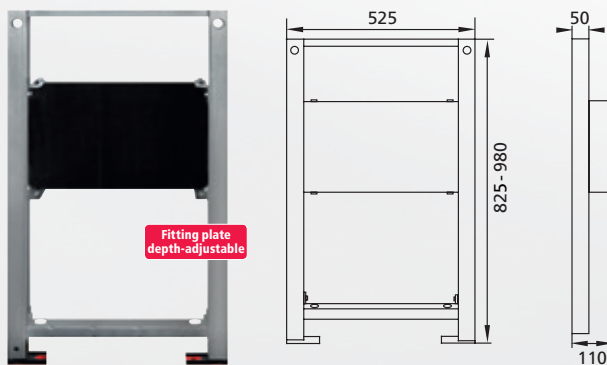
Accessories:

Sound-decoupled wall brackets for pre-wall installation, page 47

Design	Ref. no.	Design	Ref. no.
<b>A:</b> for concealed fittings and Geberit wall drain Drain <b>DN40</b> for screed height at the inlet 65-90 mm	235300	<b>D:</b> for surface-mounted fittings and Geberit wall drain Drain <b>DN40</b> for screed height at the inlet 65-90 mm	235350.00
<b>B:</b> for concealed fittings and Geberit wall drain Drain <b>DN50</b> for screed height at the inlet 90-200 mm	235301	<b>E:</b> for surface-mounted fittings and Geberit wall drain Drain <b>DN50</b> for screed height at the inlet 90-200 mm	235351.00
<b>C:</b> for concealed fittings	235200	<b>D:</b> for surface-mounted fittings	235250.00



BS+ bathtub element



- Galvanised, self-supporting and sound-decoupled steel construction
- All fastening and mounting accessories
- Adjustable footrests up to max. 0-220 mm
- 2 sound-decoupled, width-adjustable wall discs 1/2" or fastenings for standard flush-mounted fittings

Taverses are height and depth adjustable 40-110mm  
Dimensions: W / H / D 525 / 825-980 / 110 mm

Installation Height 1120 mm also possible on request!

Design	Ref. no.
bathtub element	235400



**BS+ element for built-in wardrobe for the installation of instantaneous water heaters**



- Galvanised, self-supporting and sound-decoupled steel construction
  - All fastening and mounting accessories
  - Adjustable footrests up to max. 0-220 mm
- for mounting cuccoo built-in furniture**

**Element for built-in cabinet for instantaneous water heater**

- Wall bushings 1/2"
  - Cut-out for flush-mounted electrical box
- Dimensions: W / H 450 / 1120 mm

**Built-in cabinet for instantaneous water heater**

White silk matt lacquered front, door hinge right or left  
Dimensions: W 300 mm

All wardrobe elements suitable for Burda cuccoo furniture series

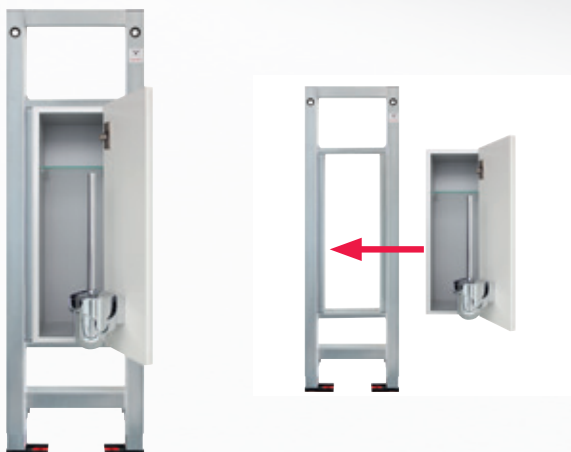
**Accessories:**

Sound-decoupled wall brackets for pre-wall installation, page 47



Design	Ref. no.
Element for instantaneous water heater cabinet	215010.00
Built-in wardrobe 30 cm	403160
Element for Toilet brush cabinet	215007.00

**BS+ element for built-in wardrobe with integrated toilet brush**



- Galvanised, self-supporting and sound-decoupled steel construction
  - All fastening and mounting accessories
  - Adjustable footrests up to max. 0-220 mm
- for mounting cuccoo built-in furniture**

**Element for built-in cabinet for toilet brush**

Dimensions: W / H 350 / 1120 mm

**Built-in cabinet with integrated toilet brush**

White silk matt lacquered front, incl. one glass shelf and brush holder with brush in chrome, door hinge right or left  
Dimensions: W 200 mm

All wardrobe elements suitable for Burda cuccoo furniture series

**Accessories:**

Sound-decoupled wall brackets for pre-wall installation, page 47



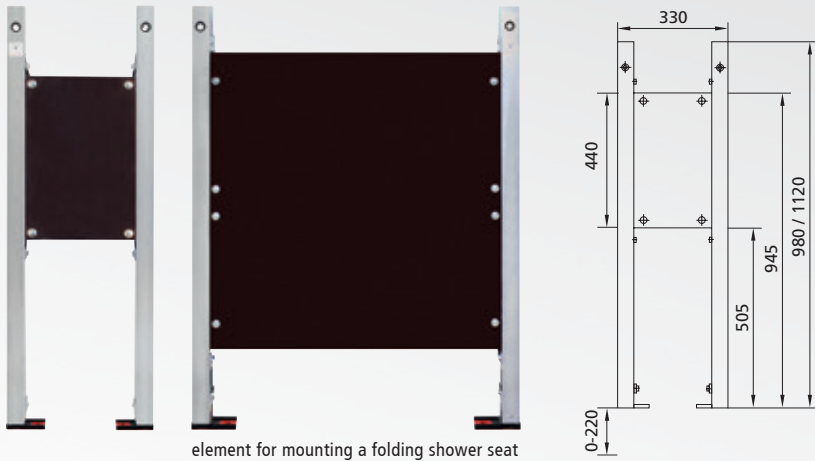
Design	Ref. no.
Built-in wardrobe 20 cm with integrated toilet brush	403055

Cabinet elements on request also in 60 cm width, 90 cm width and 120 cm height, 80 cm height available



### BS+ Fastening elements

For mounting grab rails, support rails and folding handles or folding shower seats



element for mounting a folding shower seat

Design	Ref. no.	Design	Ref. no.
<b>Retaining element for support and folding handles</b>		<b>Retaining element for folding shower seat</b>	
Installation height 980 mm	241022	Installation height 1120 mm	242022
Installation height 1120 mm	240022		

**For holding, supporting and folding handles et cetera**  
For installation in a stud wall in accordance with DIN 18183 or in conjunction with accessory set art. no. 240 008 as a single element in a pre-wall installation.

- Galvanised, self-supporting and sound-decoupled steel construction
- Built-in mounting plate made of laminated wood (250 mm high, 30 mm thick) for individual fastening of heavy loads
- All fastening and mounting accessories
- Adjustable footrests up to max. 0-220 mm

Dimensions: W / H / D 330 / 980 or 1120 / 50 mm

**Element to accommodate a folding shower seat**  
For installation in a stud wall in accordance with DIN 18183 or in conjunction with accessory set art. no. 240 008 as a single element in a pre-wall installation.

- Galvanised, self-supporting and sound-decoupled steel construction
- Built-in mounting plate made of laminated wood (250 mm high, 30 mm thick) for individual fastening of heavy loads
- All fastening and mounting accessories
- Adjustable footrests up to max. 0-220 mm

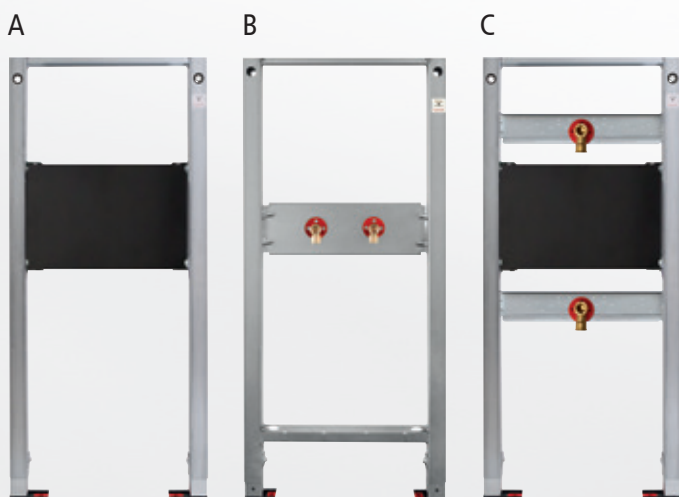
Dimensions: W / H / D 850 / 1120 / 50 mm

**Accessories:**

Sound-decoupled wall brackets for pre-wall installation, page 47



### BS+ element for surface-mounted / concealed fittings



Design	Ref. no.
<b>Installation height 1120 mm</b>	
A: for flush-mounted fittings	218008
B: for surface-mounted fittings	230108.xx
C: Wall fitting for showers and bathtub	230109

**For installation in a stud wall in accordance with DIN 18183 or in conjunction with accessory set art. no. 240 008 as a single element in a pre-wall installation.**

- Galvanised, self-supporting and sound-decoupled steel construction
- All fastening and mounting accessories
- Adjustable footrests up to max. 0-220 mm
- 2 sound-decoupled, width-adjustable wall discs 1/2" or fastenings for standard flush-mounted fittings

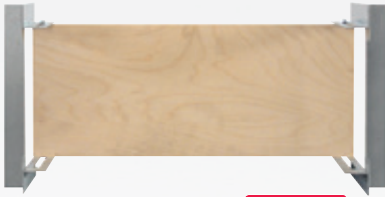
Dimensions: W / H 525 / 1120 mm

**Accessories:**

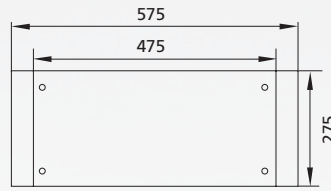
Sound-decoupled wall brackets for pre-wall installation, page 47



Universal traverse for surface-mounted / flush-mounted fittings  
ventilation, sanitary flushes and other built-in appliances



Armaturenplatte  
tiefenverstellbar



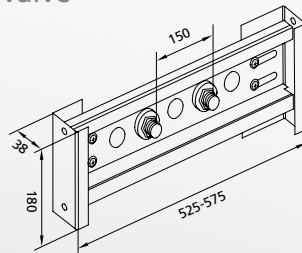
- Galvanised sheet metal construction
- Lateral fastening option on CW profiles of a stud wall
- All fastening and mounting accessories

Dimensions: W / H / D 575 / 275 / 50-150 mm

Design	Ref. no.
	215033



BS+ Universal traverse  
for surface-mounted taps / tap valve  
heavy duty / reinforced



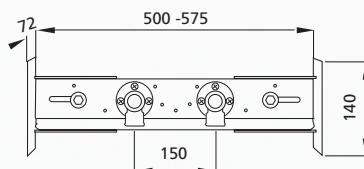
- Galvanised sheet metal construction
- Lateral fastening option on CW profiles of a stud wall
- All fastening and mounting accessories
- Sound-decoupled, width-adjustable 1/2" wall ducts

Dimensions: W / H / D 525-575 / 180 / 38 mm

Design	Ref. no.
A: with 2 wall ducts	215006.00
B: with 1 wall duct	216210.00



BS+ universal traverse  
for surface-mounted taps / tap valve



- Galvanised sheet metal construction
- Lateral fastening option on CW profiles of a stud wall
- All fastening and mounting accessories
- Sound-decoupled wall discs 1/2"

Dimensions: W / H / D 500-575 / 140 / 72 mm

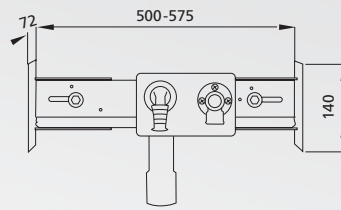
Design	Ref. no.
A: with 2 wall ducts	215005.00
B: with 1 wall duct	216209.00



### BS+ traverse for washing machine



incl. device-connection valve



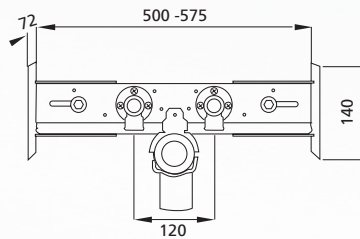
- Galvanised sheet metal construction
- Lateral fastening option on CW profiles of a stud wall
- All fastening and mounting accessories
- Washing machine trap and wall disc 1/2"

Dimensions: W / H / D 500-575 / 140 / 72 mm

Design	Ref. no.
with washing machine trap and 1/2" connection	216004



### BS+ Traverse for kitchen sink



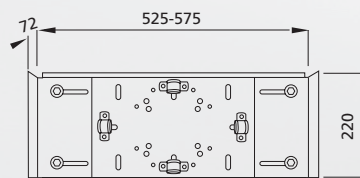
- Galvanised sheet metal construction
- Lateral fastening option on CW profiles of a stud wall
- All fastening and mounting accessories
- Two sound-decoupled wall discs 1/2"
- Drain elbow DN50

Dimensions: W / H / D 500-575 / 140 / 72 mm

Design	Ref. no.
with wall discs and drain elbow DN50	216100.00
with drain elbow DN50	215013



### BS+ traverse for flush-mounted fittings / flush-mounted valves



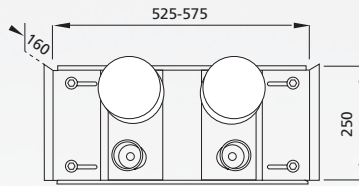
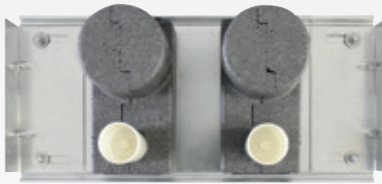
- Galvanised sheet metal construction
- Lateral fastening option on CW profiles of a stud wall
- All fastening and mounting accessories

Dimensions: W / H / D 525-575 / 220 / 72 mm

Design	Ref. no.
with 4 sound-decoupled pipe clamps to hold the concealed valves	216003



**BS+ traverse for water meter**



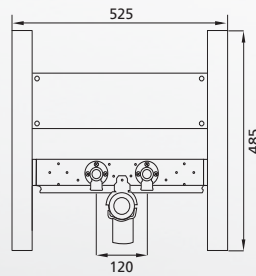
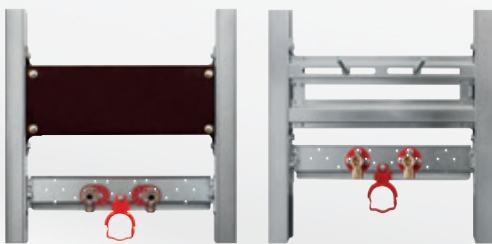
- Galvanised sheet metal construction
- Lateral fastening option on CW profiles of a stud wall
- All fastening and mounting accessories
- 2 flush-mounted single-pipe connection piece for MTK / MTW-NG (2" EAS KOAX) incl. dummy cover and gasket set
- 2 Concealed piston valve, free of dead space and low pressure loss (DIN DVGW tested with sound insulation to DIN 4109 (fitting group 1))
- 4 sound-insulated brackets
- 2 two-part polystyrene insulations - building material class B1 (permissible operating overpressure PB: 10 bar, permissible operating temperature TB: 90°C, flow medium: drinking water)

Dimensions: W / H / D 525-575 / 250 / 160 mm

Design	Ref. no.
	215015



**BS+ Washbasin traverse for floor-standing tap**



Design	Ref. no.	Design	Ref. no.
<b>Version A</b> with mounting plate made of plywood	230300.xx	<b>Version B</b> with fastening via threaded rods	230301.xx

**For installation in a stud wall in accordance with DIN 18183.**

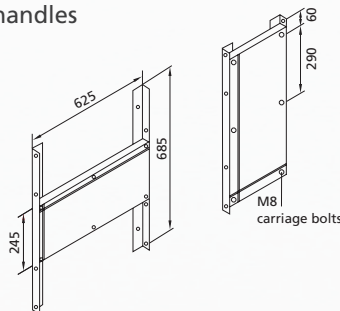
- Galvanised sheet metal construction
- Mounting plate for variable washbasin installation
- Connection elbow PE-HD DN 50
- Rubber nipple 32 mm
- All mounting and installation accessories
- Fitting plate to hold the wall discs
- 2 sound-decoupled connection mountings
- Wall discs 1/2"

Version A Dimensions: W / H / D 525 / 485 / 70 mm  
Version B Dimensions: W / H / D 525 / 485 / 50 mm

**Note:**  
Replace end number .xx with .00 for standard connection 1/2" x 1/2" .99 without connection



**BS+ universal mounting plate**  
For holding, supporting and folding handles



Design	Ref. no.
	240015

**For holding mirrors, shelves, grab rails, support and folding handles et cetera**

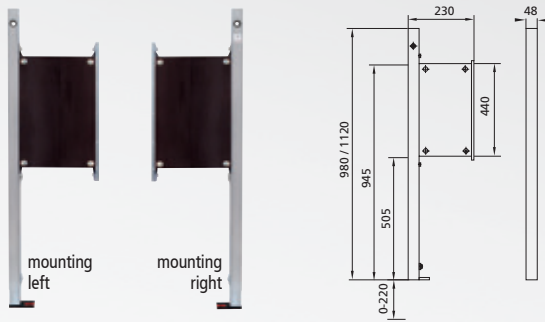
**For installation in a stud wall in accordance with DIN 18183.**

- Galvanised sheet metal construction
- built-in mounting plate made of plywood (245 mm high, 30 mm thick) for individual fastening of heavy loads
- All mounting and installation accessories

Dimensions: Plywood panel W / H / D 625 / 245 / 30 mm  
With fixing bracket W / H / D 625 / 685 / 30 mm



**BS+ right / left holding element with one foot for holding, supporting and folding handles**



Design	Ref. no.	Design	Ref. no.
<b>Installation height 980 mm</b> right	240043	<b>Installation height 1120 mm</b> right	240023
left	240044	left	240024

**Can be used for installation in a pre-wall.**

- Galvanised, self-supporting and sound-decoupled steel construction, with one profile, with built-in fastening plate made of laminated wood (250 mm high, 30 mm thick) for individual fastening of heavy loads
- All fastening and mounting accessories
- Adjustable footrests up to max. 0-220 mm

Dimensions: W / H / D 230 / 980 oder 1120 / 50 mm

**Accessories:**

Sound-decoupled wall brackets for pre-wall installation, page 47



**BS+ / Santro WC support brackets for WC ceramics with a small contact surface**



Design	Ref. no.
1 Paar	216400

**For additional support of WC ceramics**

Support surfaces smaller than 17 cm (e.g. Flaminia, Senticque)



**Side end element right / left**



Design	Ref. no.
<b>Installation height 825 mm</b> right/left	on request
<b>Installation height 980 mm</b> right/left	on request
<b>Installation height 1120 mm</b> right/left	219001

**Can be used for installation in a pre-wall.**

**For extending an extension section and for bridging distances distances over 625 mm wide between sanitary modules et cetera**

- Galvanised, self-supporting and sound-decoupled steel construction, with one profile, with built-in fastening plate made of laminated wood (250 mm high, 30 mm thick) for individual fastening of heavy loads
- All fastening and mounting accessories
- Adjustable footrests up to max. 0-220 mm

Dimensions: W / H / D 48 / 825, 980 oder 1120 / 48 mm

**Accessories:**

Sound-decoupled wall brackets for pre-wall installation, page 47



## BS+ extension for wall bracket for wall mounting (240008 and 240012) up to 400 mm



Design	Ref. no.
	240010



## BS+ extended feet

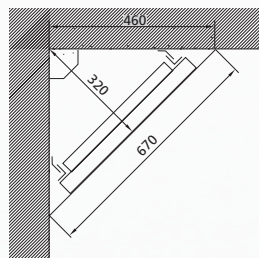
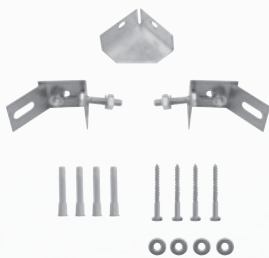


Design	Ref. no.
For floor construction up to 400 mm (1 pair)	215101
For floor construction up to 600 mm (1 pair)	215100

- For raised floor construction
- Suitable for all BS+ elements
- Version: In pairs
- Galvanised with plastic feet



## BS+ corner mounting set



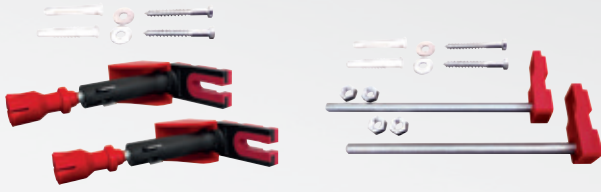
Design	Ref. no.
1 pair	218106

### For mounting BS+ units as a 45° corner solution.

- Galvanised mounting bracket
- Additional upper corner planking support
- All mounting and assembly accessories



Sound-decoupled wall bracket for front wall mounting,  
mounting depth 140 -190 mm extendable



Premium wall bracket (since January 2018)

Wall bracket

Design	Ref. no.
Premium wall bracket	240012
Wall bracket	240008

**New version**

- 2 sound-decoupled wall supports M10
- All mounting and assembly accessories
- 2 support brackets

**Old version**

- 2 sound-decoupled wall supports M10
- All mounting and assembly accessories



BS+ foot mounting on rear wall  
e.g. for underfloor heating



Design	Ref. no.
1 pair	240020

- 2 galvanised wall supports
- All mounting accessories



universal mounting set



e.g. mounting on the wall

Design	Ref. no.
1 pair	240040

- 2 sound-decoupled wall supports M10
- All mounting and assembly accessories

