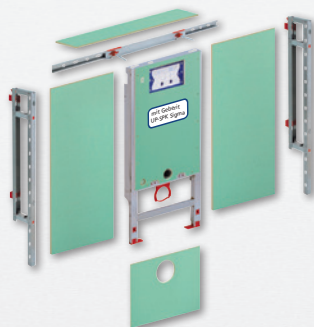


COMPETENCE OVERVIEW

QUALITY
made in Germany



Item no. Directory

	item no.
my move WC comfort and care	see p. 4/5
my move WT comfort for on-site washbasin	see p. 6/7
BS+ WC-Installation unit with Burda concealed cistern K770	211140.00
BS+ WC-Installation unit with Geberit concealed cistern Sigma	211088.00
BS+ Installation unit for barrier-free WC systems with Burda concealed cistern K770 (Mounting right + left)	211700.00
BS+ Installation unit for barrier-free WC systems with Burda concealed cistern K770 (Mounting right)	211303.00
BS+ Installation unit for barrier-free WC systems with Burda concealed cistern K770 (Mounting left)	211330.00
Burda WC control T690 with button white	T690.00
Burda WC control T690 with button stainless steel	T690.60
BS+ Installation unit for barrier-free WC systems with Burda concealed cistern Sigma (Mounting right + left)	211600.00
BS+ Installation unit for barrier-free WC systems with Burda concealed cistern Sigma (Mounting right)	211606.00
BS+ Installation unit for barrier-free WC systems with Burda concealed cistern Sigma (Mounting left)	211666.00
BS+ WC element Reno-Kit with concealed cistern Burda K770	211635.00
BS+ WC element Reno-Kit with concealed cistern Geberit Sigma	211630.00
BS+ WC Power bearing	216400
BS+ Sound-decoupled premium wall brackets for pre-wall mounting	240012
BS+ Washstand-Mounting unit for wall fitting*	212029.xx
BS+ Sink-Mounting unit for wall fitting*	212012.xx
BS+ Washstand-Mounting unit for floor-standing fitting*	212005.xx
BS+ Washstand-Mounting unit for floor-standing fitting (For fastening with threaded rods)*	212205.xx
BS+ Washstand-Mounting unit, barrier-free design with concealed trap Haas OHA 3500*	212136.xx
BS+ Washstand-Mounting unit, for water meter with angle valve connection option	212028.00
BS+ Washstand-Mounting unit, for water meters without angle valve connection option	212028.99
BS+ Pre-assembled shut-off valve set (set of 2)	960056
BS+ Washstand in a row, 2 places (2 x free-standing mixer tap, 1 x centre drain)*	212040.xx
BS+ Washstand in a row, 2 places (2 x stand mixer tap, 2 x drain)*	212041.xx
BS+ Washstand element for Geberit Bambini play and wash landscape (Geberit Bambini 2)	212035.00
BS+ Washstand element for Geberit Bambini play and wash landscape (Geberit Bambini 3)	212034.00
BS+ Washstand element for Geberit Bambini play and wash landscape (Geberit Bambini 4)	212033.00
BS+ Urinal element with Burda shell set for BurdaTronic U-09	214989
BS+ Urinal element with Burda shell set for BurdaTronic U-09 with spray head	214889
BS+ Urinal element with Geberit universal shell set	214712
BS+ Urinal element with Burda universal shell set Flowtronik	214800
BS+ Wall-mounted sink element Laufen Bernina with Geberit concealed cistern Sigma	211057.00
BS+ Wall-mounted sink element Laufen Bernina with Geberit concealed cistern Delta	211061.99
BS+ Wall-mounted sink element Laufen Bernina with Burda concealed cistern K770	211065.00
BS+ Wall-mounted sink element Geberit Publica with Geberit concealed cistern Sigma	211060.00
BS+ Wall-mounted sink element Geberit Publica with Geberit concealed cistern Delta	211062.99
BS+ Wall-mounted sink element Geberit Publica with Burda concealed cistern K770	211066.00
BS+ Universal tap plate for surface-mounted taps / tap valve with 2 wall discs, 1/2"	215005.00
BS+ Universal tap plate for surface-mounted taps / tap valve with 1 wall disc, 1/2"	216209.00
BS+ Universal tap plate for kitchen sink with drain elbow DN50 with 2 wall discs	216100.00
BS+ Universal tap plate for kitchen sink with drain elbow DN50 without wall discs	215013
BS+ Universal traverse for concealed taps / fans and sanitary flushes	215033
BS+ Universal mounting plate made of plywood, 30 mm thick	240015
BS+ Traverse for washing machine	216004
BS+ Traverse for water meters	215015
BS+ Traverse for free-standing fitting version A	230300.xx
BS+ Traverse for free-standing fitting version B	230301.xx
BS+ Shower elements with pre-assembled Geberit drain	siehe S. 26
BS+ Shower element for shower head (for surface-mounted and concealed taps with and without Geberit wall drain)	siehe S. 27
BS+ wall bracket for back-to-wall installation for shower element	240020
Santro pre-wall system WC complete kit Installation height 1080 mm	611250.00
Santro pre-wall system WC complete kit installation height 1250 mm	611253.00
Santro washstand module for free-standing tap, installation height 1080 mm	621258.00
Santro Urinal module with concealed shell set for Flowtronik installation height 1080 mm	646000
Santro Urinal module with concealed shell set for Flowtronik installation height 1250 mm	646001
Santro Urinal module with Geberit shell set Universal installation height 1250 mm	647572
Santro element for wardrobe for instantaneous water heater	215010.00
Santro built-in wardrobe 30 cm	403160
Santro accessories	siehe S. 33
Kombiset installation element for brickwork with concealed cistern Sigma	511109.00
Kombiset installation element for brickwork 82,5 cm with concealed cistern Omega	511890.00

* Washstands and sinks can be ordered with connections under .00 and without under .99

my move

WC care

with folding support handles



Barrier-free WC facilities with electric height adjustment

Features:

Self-supporting drywall element made of powder-coated, self-supporting steel construction for wall and floor mounting incl. fixing material.
(Sound-decoupled with premium wall bracket) for floor structures 0-20 cm.
With prefabricated internal drinking water and waste water pipework, as well as internal electrical wiring

Scope of delivery:

- Without folding support handles
- With concealed cistern K840
- Electric lifting device for WC
- With glass plate RAL 9003, signal white, W/H: 500 x 1045 mm
- With radio remote control (for flush activation and automatic height adjustment)
- Fibre-reinforced, core-impregnated plasterboard front (2-ply) with all standard openings for on-site tiling
- Stainless steel protection plate for inspection work

Technical data:

- WC attachment 180 mm
- WC 30 cm height-adjustable
- Load capacity up to 350 kg

Connections:

Electrical connection: via Schuko plug (230 V AC, 50-60 Hz)
Waste water connection: DN 90
Drinking water connection: R1/2"

compatible with Duravit Sensowash®

compatible with Geberit AquaClean



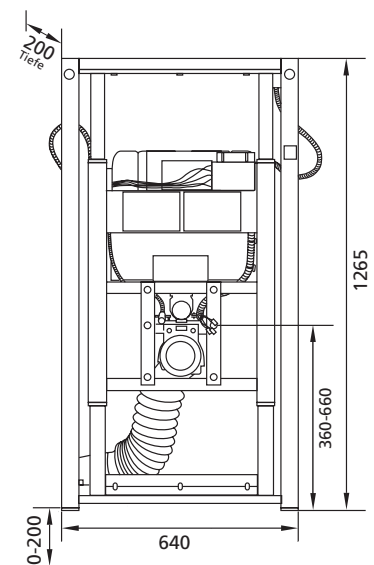
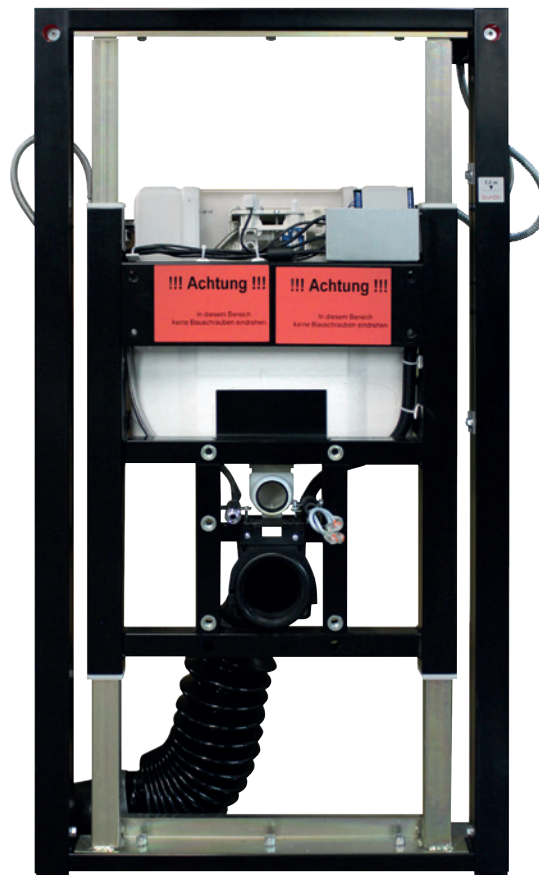
my move

WC comfort

Burda my move WC comfort

Dimensions W / H / D: 640 / 1250 / 200 mm
Item no. 270001

Technical details my move WC comfort and care



Optionally available at an extra charge WC comfort: (without folding support handles)

- Individual glass panel colour according to RAL 270003
- Cladding for individual installation, RAL classic colours 270005
- Cladding for individual installation, RAL design colours 270007
- Preparation for inclusion of shower toilet 270010
- External „up / down“ button 270008
- External „flush“ button 270009

Optionally available at an extra charge WC care: (with folding support handles)

- Individual glass panel colour according to RAL 270003
- Cladding for individual installation, RAL classic colours 270005
- Cladding for individual installation, RAL design colours 270007
- Preparation for inclusion of shower toilet 270010
- External „up / down“ button 270008
- External „flush“ button 270009
- Back support 270012
- Second paper roll holder 270013
- Second control on the folding support handle 270014
(up / down / flush)

my move

WT comfort



Barrier-free WC facilities with electric height adjustment

for on-site washstand



Features:

Self-supporting drywall element made of powder-coated, self-supporting steel construction for wall and floor mounting incl. fastening material. (sound-decoupled with premium wall bracket) for floor structures 0-20 cm with prefabricated internal drinking water and waste water pipework, as well as internal electrical wiring

Scope of delivery:

- Drywall element
- Concealed trap
- 2 wall discs
- Glass plate RAL 9003, signal white, W/H 700 x 1000 mm
- With radio remote control for automatic height adjustment
- Fibre-reinforced, core-impregnated plasterboard front (2-ply) with all standard openings for on-site tiling

Technical data:

- Washstand attachment 280 mm
- Washstand 30 cm height-adjustable

Connections:

Electrical connection: via Schuko plug (230 V AC, 50-60 Hz)
Waste water connection: DN 50
TW and TWW connection: R1/2"

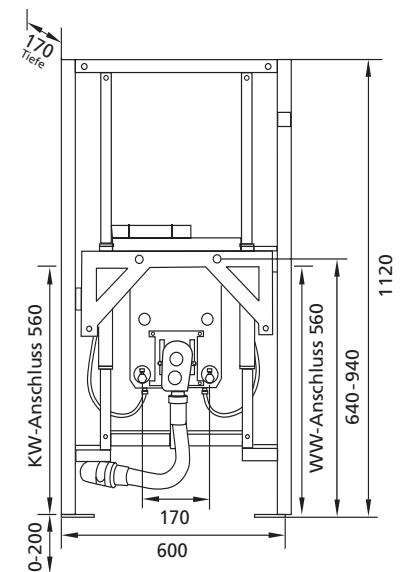
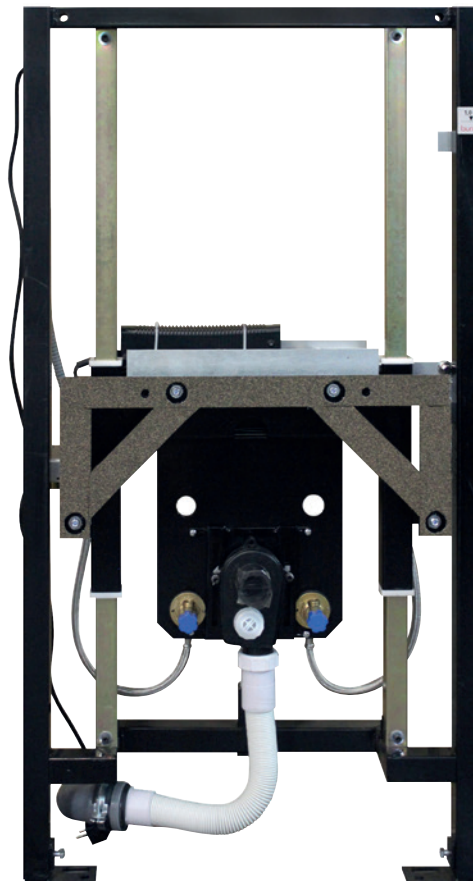
Burda my move WT comfort

Dimensions W / H / D: 600 / 1120 / 170 mm
Item no. 270501



View without integrated mirror

Technical details my move WT comfort



Optionally available at an extra charge:

- Individual glass panel colour according to RAL 270505
- Glass plate with mirror,
Total W/H 700x 1450 mm, Mirror W/H 700x690 mm 270506
- Glass plate with mirror,
Total W/H 700x 1630 mm, Mirror W/H 700x870 mm 270513
- Cladding for individual installation, RAL classic colours 270508
- Cladding for individual installation, RAL design colours 270515
- External „up / down“ button 270516

BS+ WC mounting unit with flush-mounted cistern K770

for drywall construction, offers installers and planners the possibility to fall back on pre-assembled units and to plan individual solutions due to the large selection of pushbuttons.

Sound-insulated with premium wall bracket for pre-wall mounting



Sound insulation DIN 4109

Optional

Sound-insulated premium wall bracket for pre-wall mounting



Item no. 240012



Sound-insulated plastic inserts for the inclusion of the PE-HD elbow connector

Sound-insulated, pull-out Plastic feet

Note:

WC support brackets for additional support of WC ceramics with a small contact surface of less than 17 cm (e. g. Flaminia, Sentique)

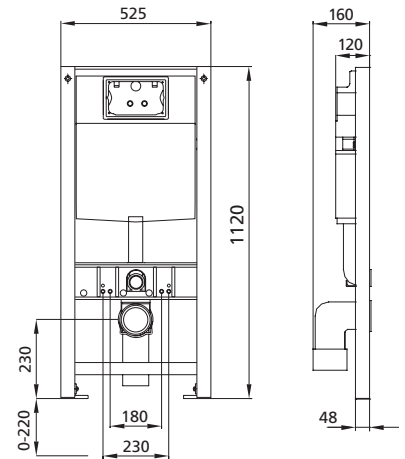
item no. 216400



BS+ WC mounting unit with flush-mounted cistern K770
item no. 211140.00

all toilets compatible with Duravit Sensowash®

- The frames consist of 48 mm wide profiles, you can perfectly built in a 50s plasterboard stud wall.
- GKF building boards can be installed joint to joint
- Fastening the construction panels without pre-drilling
- Sound decoupling as standard integrated (all red plastic parts)
- Element feet standard 220 mm extensible
- High corrosion protection due to sendzimir galvanized elements.
- 4 point fastening
- All current standards are complied with (e. g. DIN 4109 etc.)
- Seal can also be used by other manufacturers
- Even easier installation thanks to the new premium wall bracket



Combination examples:



T784



T785



T787



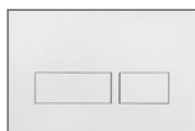
T788



T790



T791



T795



T798

BS+ WC mounting unit with flush-mounted cistern Geberit Sigma

for drywall construction, offers installers and planners the possibility to fall back on pre-assembled units and to plan individual solutions due to the large selection of pushbuttons.

Sound-insulated with premium wall bracket for pre-wall mounting



Sound insulation DIN 4109

Optional

Sound-insulated premium wall bracket for pre-wall mounting



Item no. 240012

Sound-insulated plastic inserts for the inclusion of the PE-HD elbow connector

Sound-insulated, pull-out Plastic feet

Note:

WC support brackets for additional support of WC ceramics with a small contact surface of less than 17 cm (e. g. Flaminia, Sentique)

item no. 216400

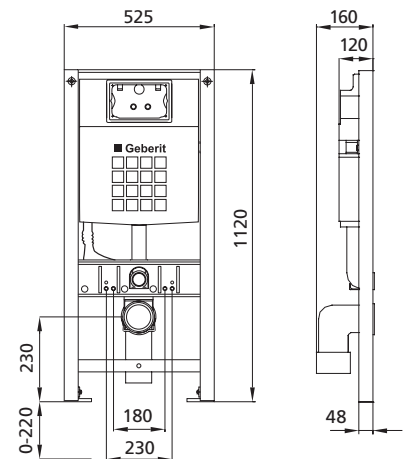


BS+ WC mounting unit with flush-mounted cistern Geberit Sigma item no. 211088.00

all toilets compatible with Duravit Sensowash®

Geberit concealed cisterns compatible with Geberit AquaClean and Discharge chute for cleaning cubes

- The frames consist of 48 mm wide profiles, you can perfectly built in a 50s plasterboard stud wall.
- GFKI building boards can be installed joint to joint
- Fastening the construction panels without pre-drilling
- Sound decoupling as standard integrated (all red plastic parts)
- Element feet standard 220 mm extensible
- High corrosion protection due to sendzimir galvanized elements.
- 4 point fastening
- All current standards are complied with (e. g. DIN 4109 etc.)
- Even easier installation thanks to the new premium wall bracket



Combination examples:



Geberit Sigma01



Geberit Sigma10



Geberit Sigma20



Geberit Sigma30



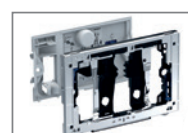
Geberit Sigma50



Geberit Sigma60



Geberit Sigma70



Insert for Geberit Duo-Fresh Stick



BS+ WC mounting unit

for barrier-free WC facilities, with flush-mounted cistern Burda K770

for drywall construction, offers installers and planners the possibility to fall back on pre-assembled units and to plan individual solutions due to the large selection of flush buttons.

Sound-insulated with premium wall bracket for pre-wall mounting



Sound insulation DIN 4109

Included
Sound-insulated premium wall bracket for pre-wall mounting



Sound-insulated plastic inserts for the inclusion of the PE-HD elbow connector

Sound-insulated, pull-out Plastic feet



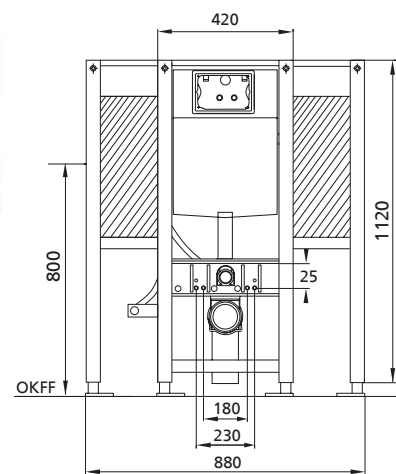
- The frames consist of 48 mm wide profiles, you can perfectly built in a 50s plasterboard stud wall.
- GKF building boards can be installed joint to joint
- Fastening the construction panels without pre-drilling
- Sound decoupling as standard integrated (all red plastic parts)
- Element feet standard 220 mm extensible
- High corrosion protection due to sendzimir galvanized elements.
- 8 point fastening
- All current standards are complied with (e. g. DIN 4109 etc.)

BS+ WC mounting unit for barrier-free facilities, with flush-mounted cistern Burda K770

item no. 211700.00
for folding support rails right and left

item no. 211303.00
for folding support rails right

item no. 211330.00
for folding support rails left



Note:

WC support brackets for additional support of WC ceramics with a small contact surface of less than 17 cm (e. g. Flaminia, Sentique)

item no. 216400



all toilets compatible with Duravit Sensowash®

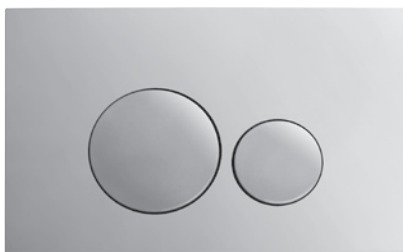
suitable WC control unit for **BS+** WC mounting unit with concealed cistern K770

Burda WC control unit T690

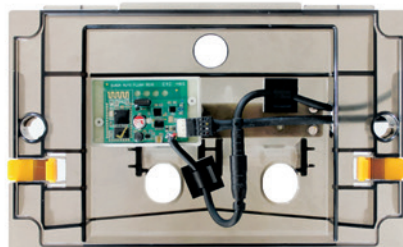
Flush activation by radio or manually
with preset interval flush

Avoidance of stagnant water, which can lead to **legionella contamination**

Scope of delivery item no. T690:



Flush button white or stainless steel



Splash protection plate incl. electronics



Shell set and transformer

button white item no. T690.00
button stainless steel item no. T690.60

- Interval flush preset (1 x per 24 hours) can be changed via app for Android 1-148 hours
- Flush duration (factory setting 7 sec. can be changed via app for Android)
- Test rinse (can be triggered via app for Android)
- Standard triggering manual or automatic hygiene flush
- Radio release via support folding handles (2 radio transmitters can be connected)
- Flush settings app for Android can be requested from service@burda-online.com

BS+ WC mounting unit

for barrier-free WC facilities, with flush-mounted cistern Geberit Sigma

for drywall construction, offers installers and planners the possibility to fall back on pre-assembled units and to plan individual solutions due to the large selection of flush buttons.

Sound-insulated with premium wall bracket for pre-wall mounting



Sound insulation DIN 4109

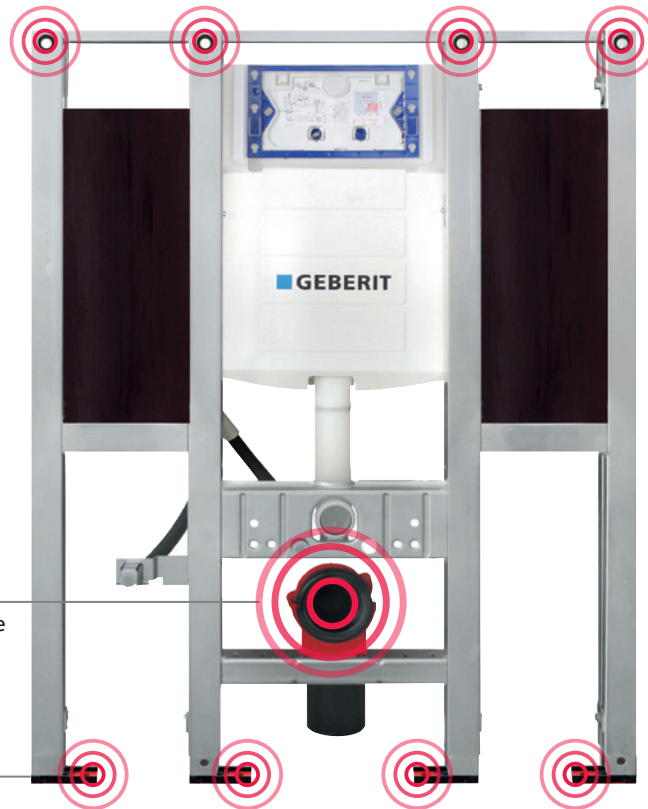
Included

Sound-insulated premium wall bracket for pre-wall mounting



Sound-insulated plastic inserts for the inclusion of the PE-HD elbow connector

Sound-insulated, pull-out Plastic feet



- The frames consist of 48 mm wide profiles, you can perfectly built in a 50s plasterboard stud wall.
- GFKI building boards can be installed joint to joint
- Fastening the construction panels without pre-drilling
- Sound decoupling as standard integrated (all red plastic parts)
- Element feet standard 220 mm extensible
- High corrosion protection due to sendzimir galvanized elements.
- 8 point fastening
- All current standards are complied with (e.g. DIN 4109 etc.)

BS+ WC mounting unit for barrier-free facilities, with flush-mounted cistern Geberit Sigma

item no. 211600.00
for folding support rails right and left

item no. 211606.00
for folding support rails right

item no. 211666.00
for folding support rails left

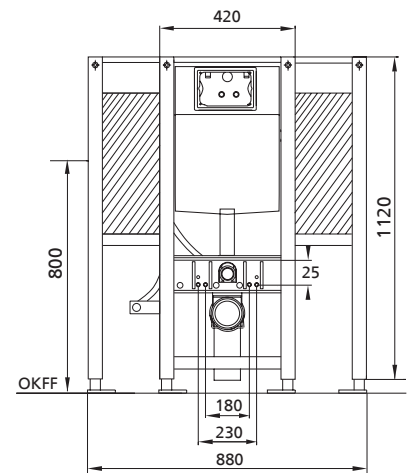
Note:

WC support brackets for additional support of WC ceramics with a small contact surface of less than 17 cm (e. g. Flaminia, Sentique)
item no. 216400

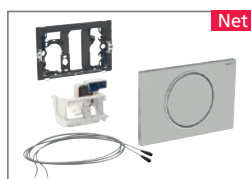


Geberit UP cisterns compatible with Geberit AquaClean and chute for cleaning cubes

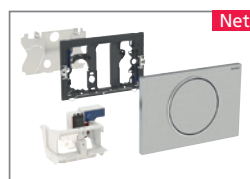
all WCs compatible with Duravit Sensowash®



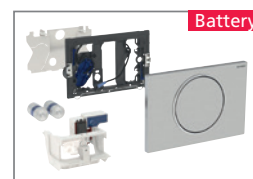
Combination examples:



Geberit WC control unit Sigma10, screwable manual / for support folding handles



Geberit WC control unit Sigma10 manual / for support folding handles with radio transmission



Geberit WC control unit Sigma10 manual / for support folding handles with radio transmission

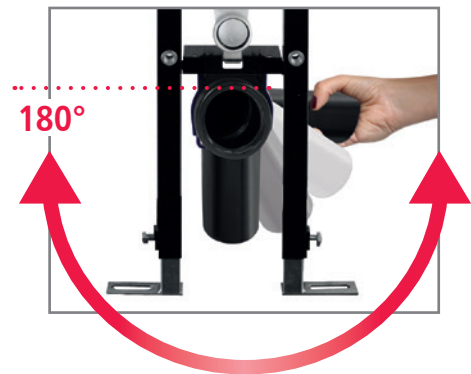
BS+ WC element Reno-Kit

Replacement module for existing stud walls / pre-wall installations

for drywall construction, offers installers and planners the option of using pre-assembled units and planning customised solutions thanks to the large selection of actuation buttons.



- Powder-coated, self-supporting steel construction
- Built-in, condensation-insulated cistern concealed cistern with dual flush technology
- All mounting accessories
- Adjustable footrests 0-220 mm
- 180° swivelling waste water elbow for simplified installation during renovation



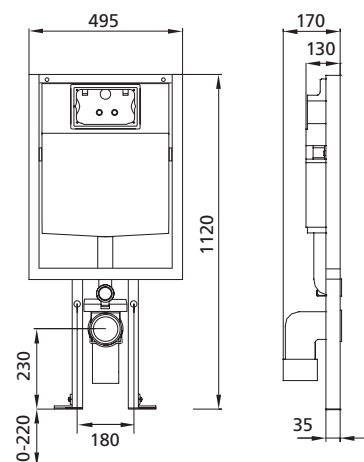
BS+ WC-element Reno-Kit

with concealed cistern Burda K770
item no. 211635.00

BS+ WC-Element Reno-Kit

with concealed cistern Geberit Sigma
item no. 211630.00

Combination examples of flush buttons: see page 8 / 9



BS+ Washstand/sink mounting unit for wall fitting

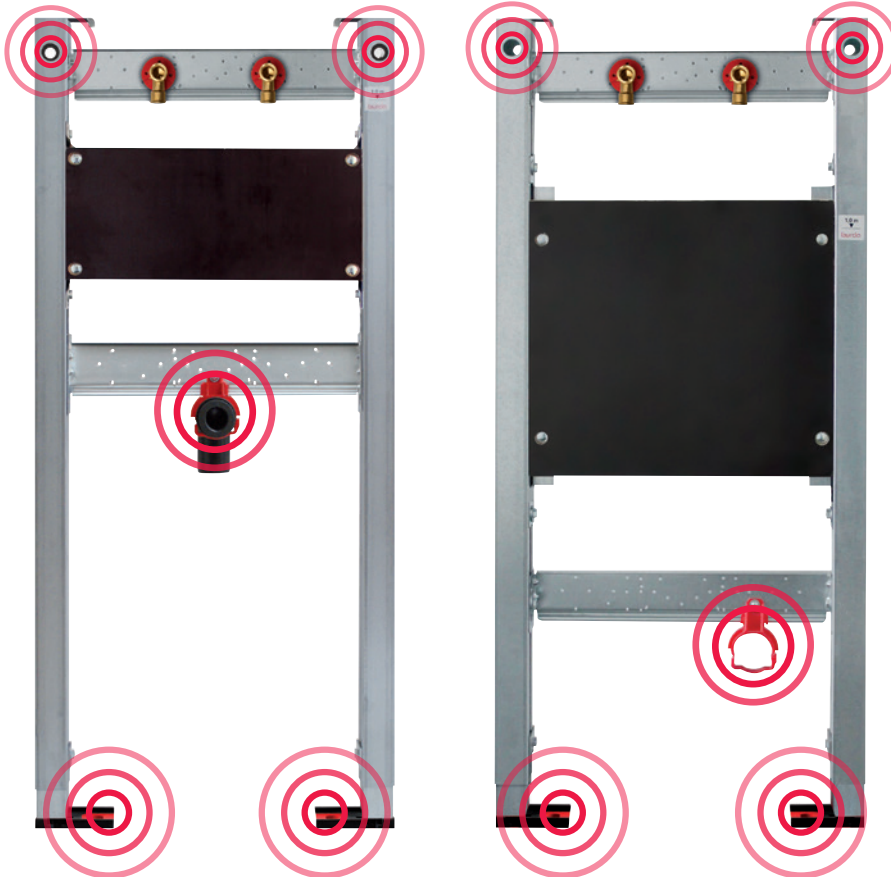
for drywall construction, offers installers and planners the option of using pre-assembled units.

Sound-insulated with premium wall bracket for pre-wall mounting



Sound insulation DIN 4109

- The frames consist of 48 mm wide profiles, you can perfectly built in a 50s plasterboard stud wall.
- GFKI building boards can be installed joint to joint
- Fastening the construction panels without pre-drilling
- Sound decoupling as standard integrated (all red plastic parts)
- Element feet standard 220 mm extensible
- High corrosion protection due to sendzimir galvanized elements.
- 4 point fastening
- All current standards are complied with (e. g. DIN 4109 etc.)



BS+ washstand mounting unit

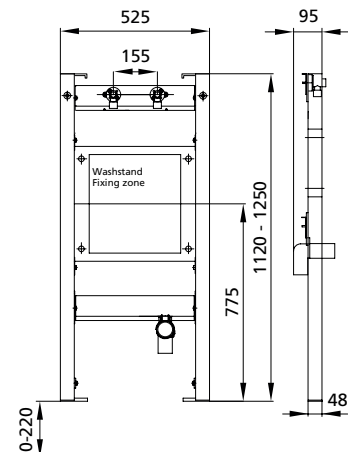
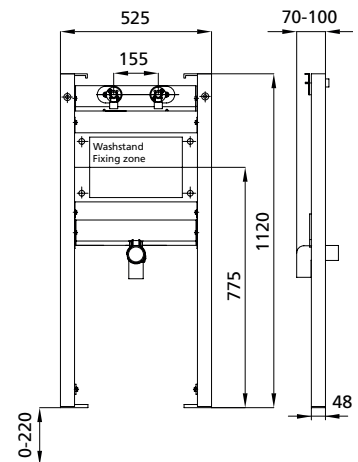
item no. 212029.xx

on request also with external press connections

BS+ sink mounting unit

item no. 212012.xx

on request also with external press connections



Optional

Sound-decoupled premium wall bracket for pre-wall mounting

item no. 240012



BS+ Washstand mounting unit for floor-mounted fitting

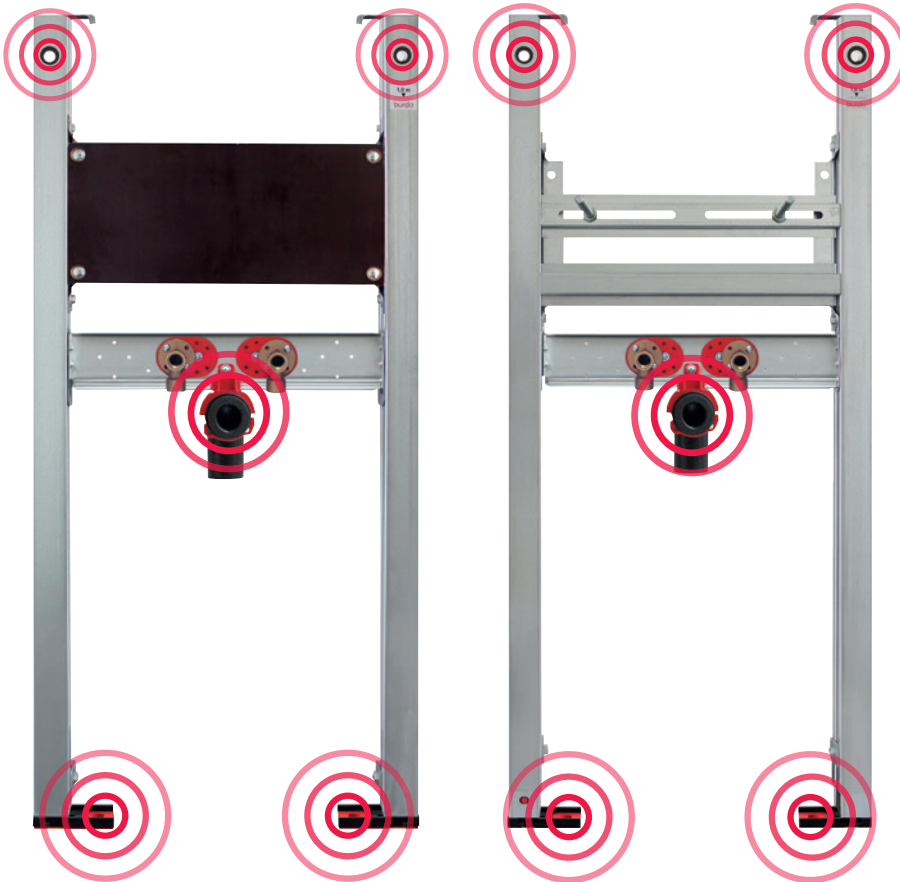
for drywall construction, offers installers and planners the option of using pre-assembled units.

Sound-insulated with premium wall bracket for pre-wall mounting



Sound insulation DIN 4109

- The frames consist of 48 mm wide profiles, you can perfectly built in a 50s plasterboard stud wall.
- GKF building boards can be installed joint to joint
- Fastening the construction panels without pre-drilling
- Sound decoupling as standard integrated (all red plastic parts)
- Element feet standard 220 mm extensible
- High corrosion protection due to sendzimir galvanized elements.
- 4 point fastening
- All current standards are complied with (e.g. DIN 4109 etc.)



BS+ washstand mounting unit

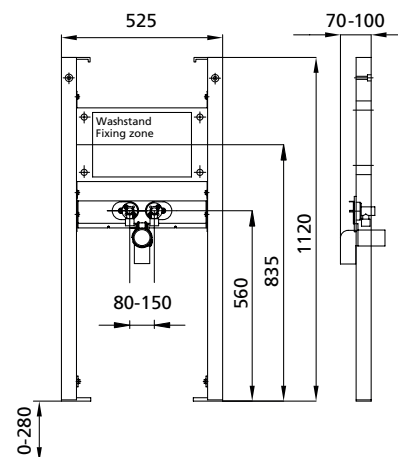
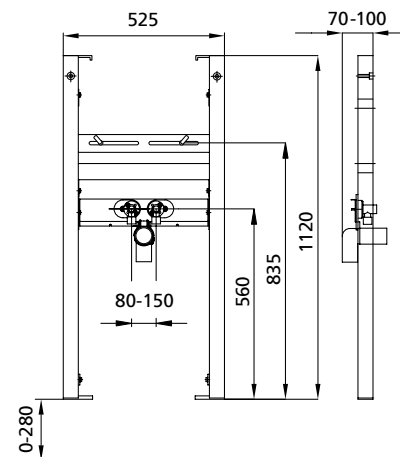
item no. 212005.xx

on request also with external press connections

BS+ washstand mounting unit

for fastening with threaded rods

item no. 212205.xx
on request also with external press connections



Optional

Sound-decoupled premium wall bracket for pre-wall mounting

item no. 240012



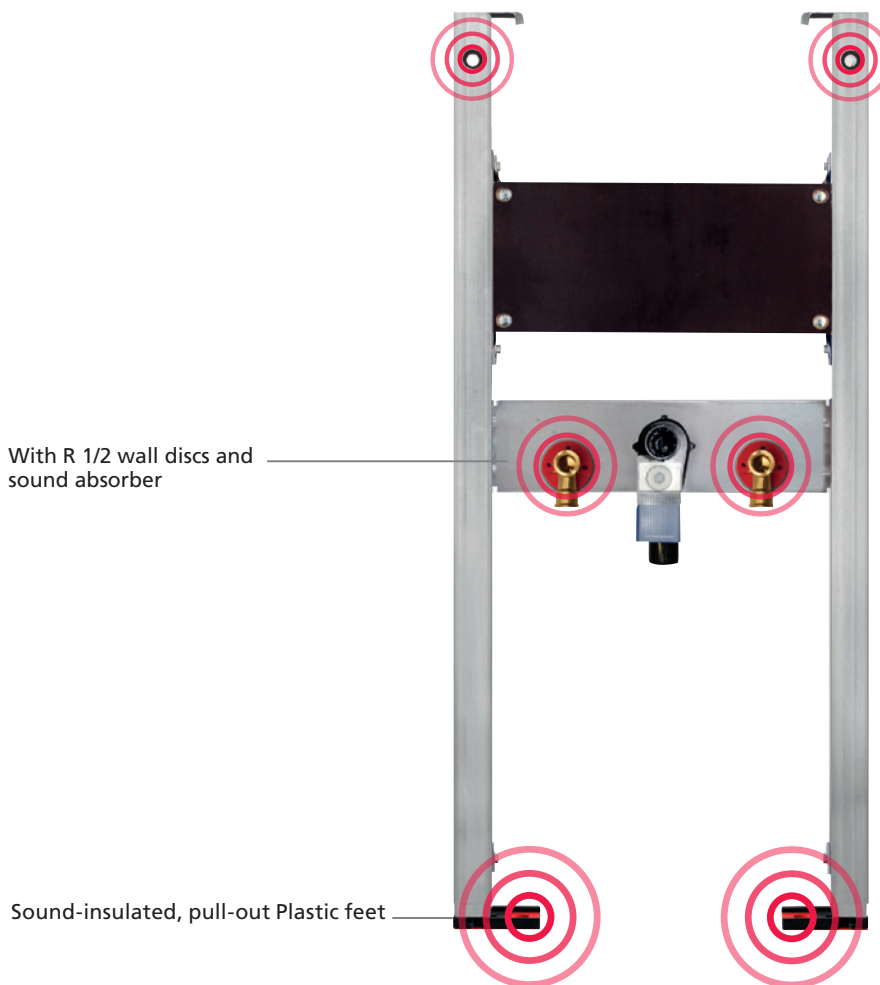
BS+ Washstand element for floor-mounted fitting, barrier-free design with concealed trap

for drywall construction, offers installers and planners the option of using pre-assembled units.

Sound-insulated with premium wall bracket for pre-wall mounting



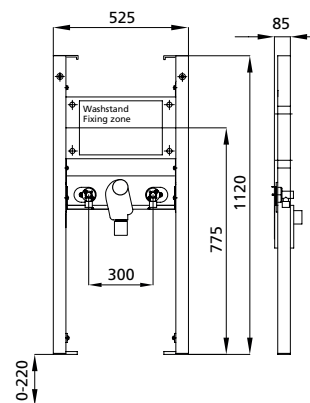
Sound insulation DIN 4109



With R 1/2 wall discs and sound absorber

Sound-insulated, pull-out Plastic feet

- The frames consist of 48 mm wide profiles, you can perfectly built in a 50s plasterboard stud wall.
- GKFI building boards can be installed joint to joint
- With built-in flush-mounted odour trap, connection bend and stainless steel trap cover
- Fastening the construction panels without pre-drilling
- Sound decoupling as standard integrated (all red plastic parts)
- Element feet standard 220 mm extensible
- High corrosion protection due to sendzimir galvanized elements.
- 4 point fastening
- All current standards are complied with (e.g. DIN 4109 etc.)



BS+ Washstand mounting unit, barrier-free design with concealed trap Haas OHA 3500
item no. 212136.xx

on request also with external press connections

incl. accessories
concealed siphon Haas OHA 3500



Optional
Sound-decoupled premium wall bracket for pre-wall mounting

item no. 240012



BS+ Washstand element for water meter and flush-mounted shut-off valve

for drywall construction, offers installers and planners the option of using pre-assembled units.

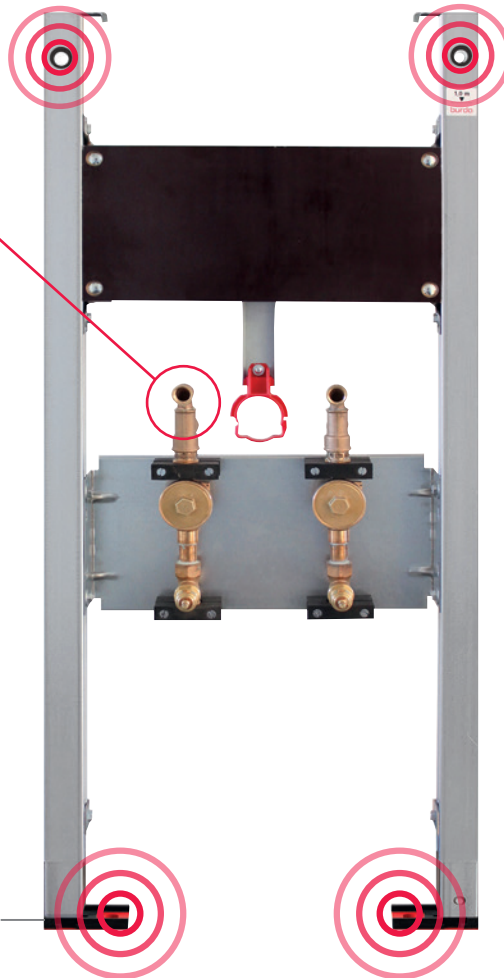
Sound-insulated with premium wall bracket for pre-wall mounting



Sound insulation DIN 4109

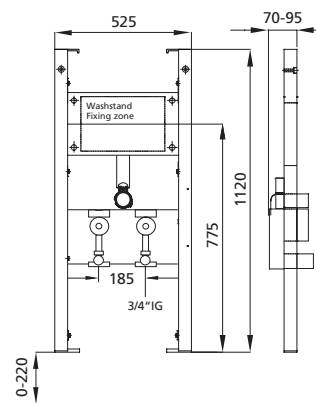


1/2" female thread at the front
3/4" female thread to the rear



Sound-insulated, pull-out Plastic feet

- Made of galvanised, self-supporting and sound-insulated steel construction,
- With mounting plate for variable washstand mounting,
- With swivelling siphon elbow DN 50,
- With all installation accessories for unit and washstand,
- 2 concealed fitting combinations
Gunmetal water meter shut-off valves, incl. extension with 1/2" internal thread for connecting washstand angle valves, incl. insulation; gunmetal in accordance with DIN-EN 1982 and DIN 50930 Part 6, sealing elements made of EPDM (KTW, W270 tested). 2 UP single-pipe connection for MTK / MTW-NG (2" EAS KOAX) incl. dummy cover and seal set.
- 2 upper parts for the barrier, chrome



BS+ Washstand mounting unit,
with angle valve connection option
item no. 212028.00

BS+ Washstand mounting unit,
without angle valve connection option
item no. 212028.99



Optional
Pre-assembled shut-off valves (set of 2)
item no. 960056

Optional

Sound-decoupled premium wall bracket for pre-wall mounting



item no. 240012

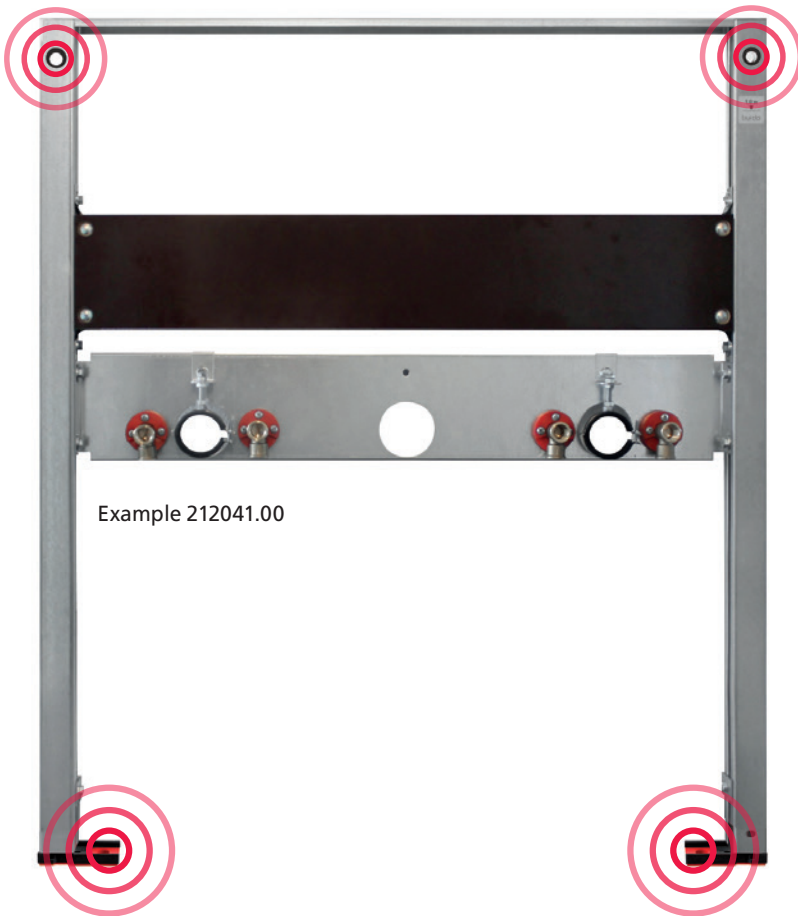
BS+ Linear washstand element, 112 cm for free-standing fitting

for drywall construction, offers installers and planners the option of using pre-assembled units.

Sound-insulated with premium wall bracket for pre-wall mounting

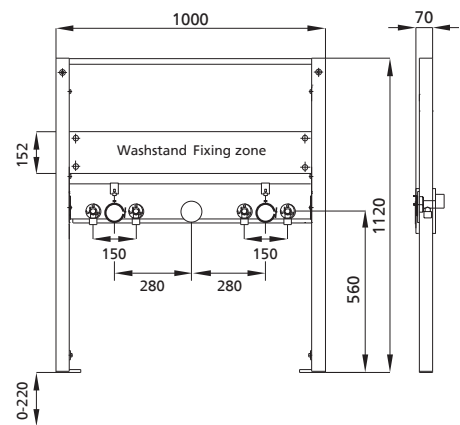


Sound insulation DIN 4109



Example 212041.00

- The frames consist of 48 mm wide profiles, you can perfectly built in a 50s plasterboard stud wall.
- GKFI building boards can be installed joint to joint
- Fastening the construction panels without pre-drilling
- Sound decoupling as standard integrated (all red plastic parts)
- Element feet standard 220 mm extensible
- High corrosion protection due to sendzimir galvanized elements.
- 4 point fastening
- All current standards are complied with (e.g. DIN 4109 etc.)



BS+ Linear Washstand element, 112 cm for free-standing fitting

Universal, 2 stations
2 x free-standing fitting, 1 x centre drain
 W/H/D 1000/1120/70 mm (with drain)
 item no. 212040.xx

on request also with external press connections

BS+ Linear Washstand element, 112 cm for free-standing fitting

Universal, 2 stations
2 x free-standing fitting, 2 x drain
 W/H/D 1000/1120/70 mm (with drain)
 item no. 212041.xx

on request also with external press connections

Note:

Drawing of the washstand used in the case of an order submit with

Optional
 Sound-decoupled premium wall bracket for pre-wall mounting



item no. 240012

BS+ Washstand element for Geberit Bambini play and wash landscape

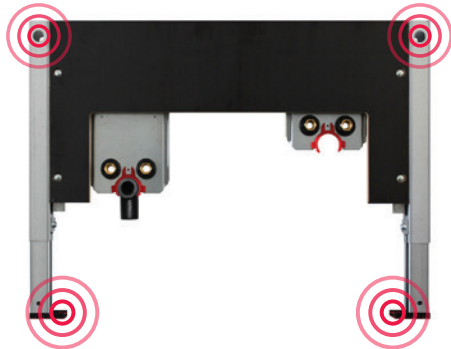
for drywall construction, offers installers and planners the option of using pre-assembled units.

Sound-insulated with premium wall bracket for pre-wall mounting

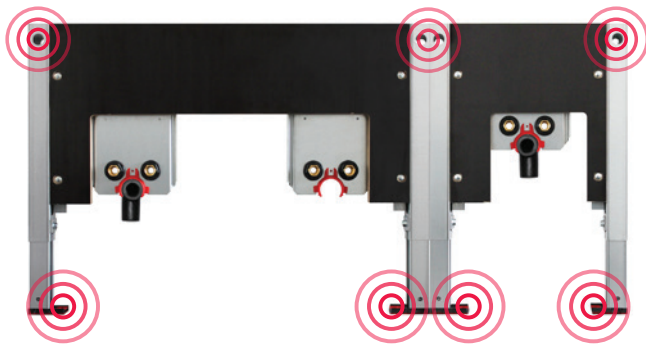


Sound insulation DIN 4109

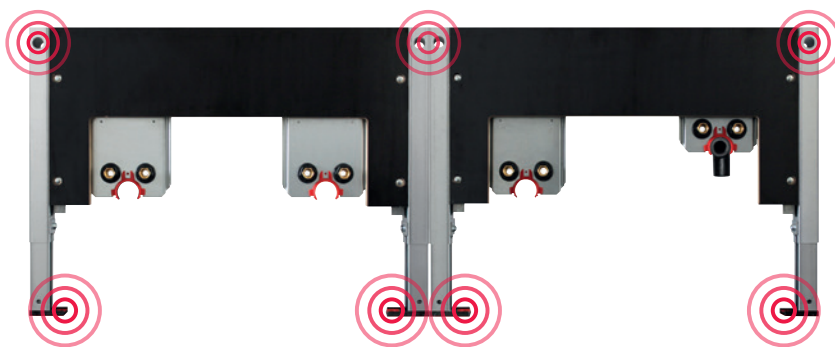
- Galvanised, self-supporting and sound-insulated steel construction,,
- mounting plate for variable washbasin washbasin installation,
- Swivelling siphon elbow DN 50,
- Rubber nipple 32 mm,
- All installation accessories for element and washstands,
- Adjustable foot supports 0-220 mm.



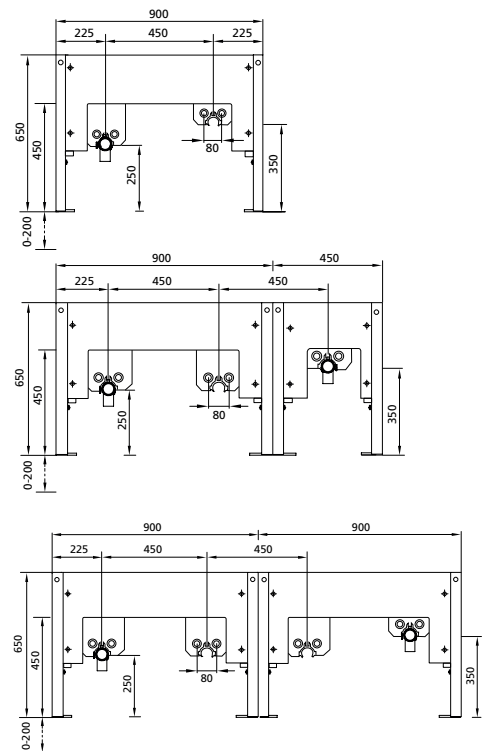
Example 212044.00



Example 212046.00



Example 212048.00



Optional

Sound-decoupled premium wall bracket for pre-wall mounting



item no. 240012

BS+ Washstand element for

Geberit Bambini 2 for free standing fitting deeper basin on the left
Geberit Bambini 2 for free standing fitting deeper basin on the right
Geberit Bambini 3 for free standing fitting deeper basin on the left
Geberit Bambini 3 for free standing fitting deeper basin on the right
Geberit Bambini 4 for free standing fitting deeper basin on the left
Geberit Bambini 4 for free standing fitting deeper basin on the right

item no. 212044.00
item no. 212045.00
item no. 212046.00
item no. 212047.00
item no. 212048.00
item no. 212049.00

BS+ Urinal element with Burda universal shell set

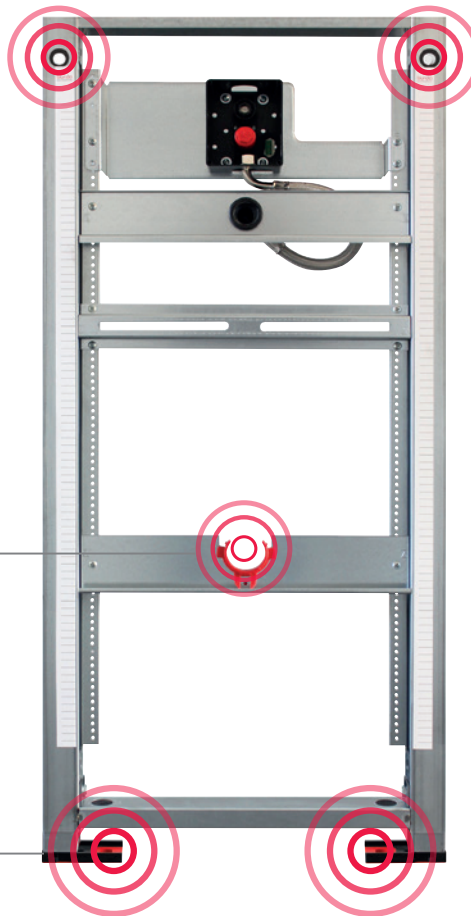
for drywall construction, offers installers and planners the option of using pre-assembled units.

Sound-insulated with premium wall bracket for pre-wall mounting



Sound insulation DIN 4109

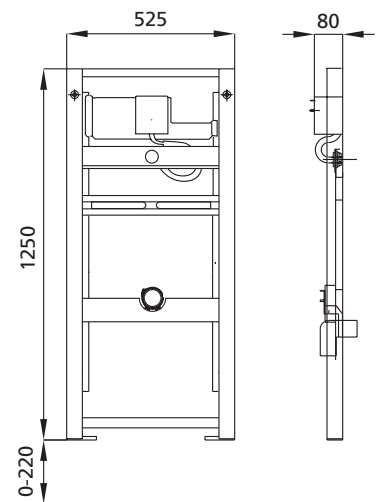
suitable for BurdaTronic U-09



Sound-decoupled mounting clamp for drain elbow

Sound-decoupled, pull-out plastic feet

- The frames consist of 48 mm wide profiles, you can perfectly built in a 50s plasterboard stud wall.
- GFKI building boards can be installed joint to joint
- Fastening the construction panels without pre-drilling
- Sound decoupling as standard integrated (all red plastic parts)
- Element feet standard 220 mm extensible
- High corrosion protection due to sendzimir galvanized elements.
- 4 point fastening
- All current standards are complied with (e.g. DIN 4109 etc.)



BS+ Urinal element
with Burda Universal shell set
for BurdaTronic U-09
item no. 214989

with Burda Universal shell set
for BurdaTronic U-09 for spray head
item no. 214889



Necessary accessories
Urinal flush system, mains operation
BurdaTronic, optoelectronics

item no. 505455.60

Optional
Sound-decoupled premium wall bracket
for pre-wall mounting

item no. 240012



BS+ Urinal element with Geberit universal shell set

for drywall construction, offers installers and planners the option of using pre-assembled units.

Sound-insulated with premium wall bracket for pre-wall mounting

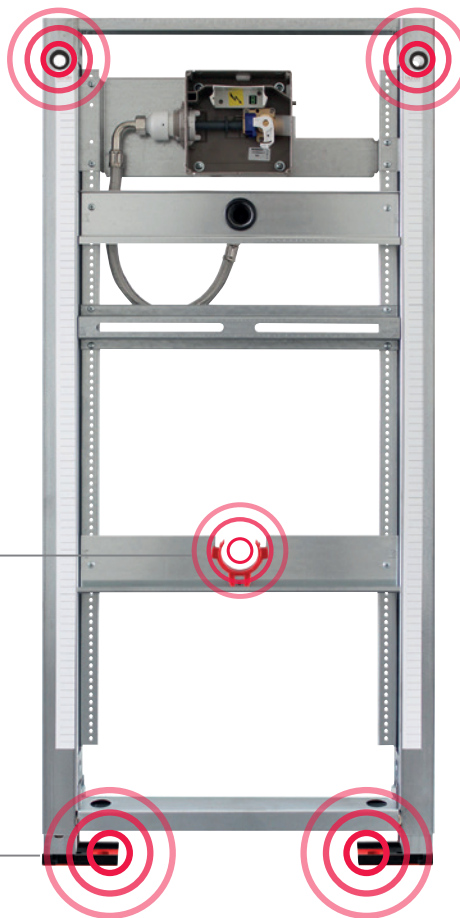


Sound insulation DIN 4109

suitable for
Geberit prefabricated installation set
HyTronic and HyTouch

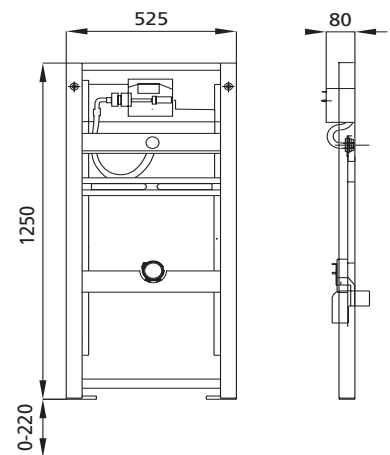
Sound-decoupled mounting
clamp for drain elbow

Sound-decoupled, pull-out
plastic feet



BS+ Urinal element
with Geberit Universal shell set
item no. 214712

- The frames consist of 48 mm wide profiles, you can perfectly built in a 50s plasterboard stud wall.
- GFKI building boards can be installed joint to joint
- Fastening the construction panels without pre-drilling
- Sound decoupling as standard integrated (all red plastic parts)
- Element feet standard 220 mm extensible
- High corrosion protection due to sendzimir galvanized elements.
- 4 point fastening
- All current standards are complied with (e.g. DIN 4109 etc.)



Optional
Sound-decoupled premium wall bracket
for pre-wall mounting

item no. 240012



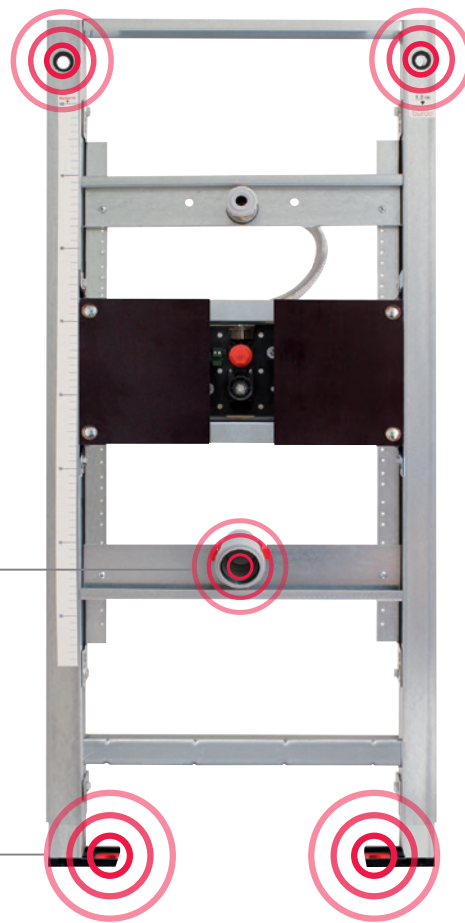
BS+ Urinal element with Burda Flowtronik universal shell set

for drywall construction, offers installers and planners the option of using pre-assembled units.

Sound-insulated with premium wall bracket for pre-wall mounting



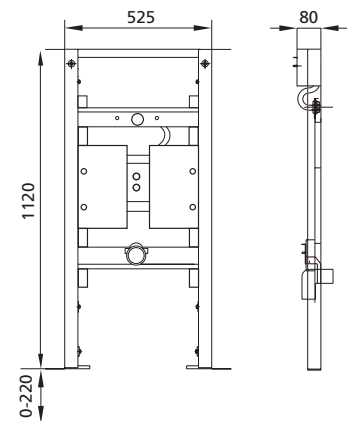
Sound insulation DIN 4109



- The frames consist of 48 mm wide profiles, you can perfectly built in a 50s plasterboard stud wall.
- GFKI building boards can be installed joint to joint
- Fastening the construction panels without pre-drilling
- Sound decoupling as standard integrated (all red plastic parts)
- Element feet standard 220 mm extensible
- High corrosion protection due to sendzimir galvanized elements.
- 4 point fastening
- All current standards are complied with (e.g. DIN 4109 etc.)

Sound-decoupled mounting clamp for drain elbow

Sound-decoupled, pull-out plastic feet



BS+ Urinal-Element
mit Burda Universal Rohbausset Flowtronik
item no. 214800

Programmable
via Android app



Necessary accessories
concealed urinal flush control
with trap sensor, mains operation
Burda Flowtronik

item no. 5214854

Optional
Sound-decoupled
premium wall bracket
for pre-wall mounting

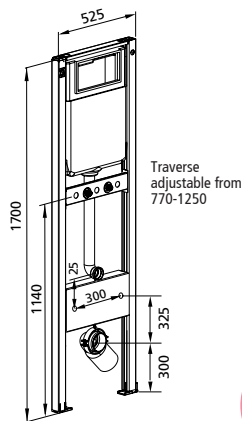
item no. 240012



BS+

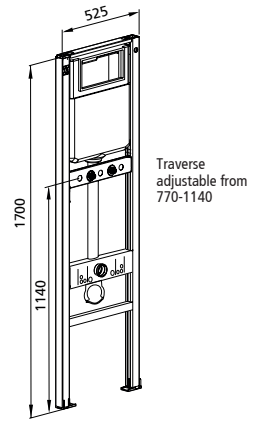
Wall-mounted sink element with concealed cistern Geberit Sigma, concealed cistern Geberit Delta or concealed cistern Burda K770 prepared for wall fitting

Areas of application: Day care centres, hospitals, nursing homes, etc.



Laufen Bernina

with cistern Sigma item no. 211057.00
with cistern Delta item no. 211061.99
with cistern K770 item no. 211065.00



Geberit Publica (formerly Keramag Espital)

with cistern Sigma item no. 211060.00
with cistern Delta item no. 211062.99
with cistern K770 item no. 211066.00

suitable for: Drywall and pre-wall

- Self-supporting sendzimir galvanised and sound-insulated 48 mm steel frame
- Height-adjustable traverse fitting 770-1250 mm
- Water connection at the rear or top centre
- Building protection for service openings protects against moisture and dirt
- Without wall-mounted sink

Optional

Sound-decoupled premium wall bracket for pre-wall mounting



item no. 240012

BS+

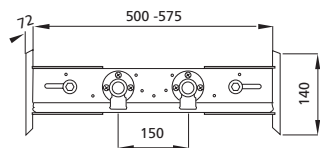
Fitting plates and traverses Suitable for Dry construction

- Made of galvanised sheet metal construction
- With lateral fastening option on CW profiles of a stud wall
- With all mounting accessories

BS+ Universal Traverse for surface-mounted fittings / tap valve



with 2 wall discs, 1/2"
item no. 215005.00
on request also with
external press connections

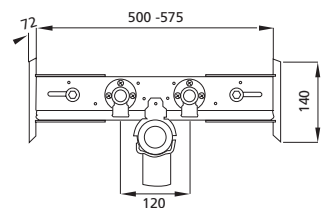


with 1 wall discs, 1/2"
item no. 216209.00
on request also with
external press connections

BS+ Universal Traverse for kitchen sink



with 2 wall discs, 1/2"
and drain elbow DN50
item no. 216100.00
on request also with
external press connections

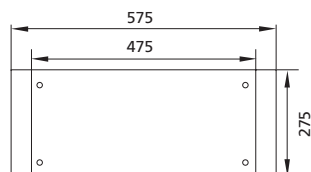


with drain elbow DN50,
without wall discs
item no. 215013

BS+ universal traverse for surface-/flush-mounted fittings (Fans, sanitary flushes and other built-in appliances)



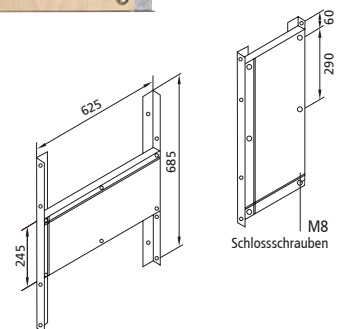
BS+ traverse Universal
for flush-mounted fittings
fans and Hygiene flushes
depth-adjustable and with
swivelling angle
item no. 215033



BS+ Universal mounting plate (zur Aufnahme von Halte-, Stütz- und Klappgriffen)



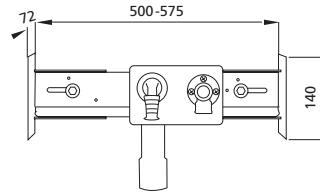
item no. 240015



BS+ traverse for washing machine



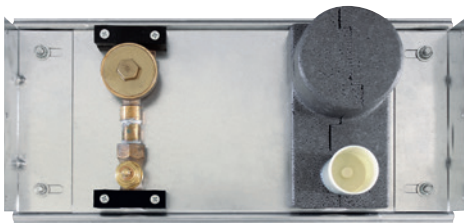
BS+ traverse for washing machine
item no. 216004



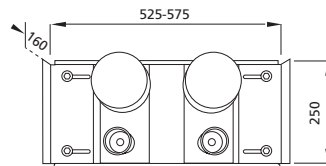
with concealed siphon washing machine and wall disc 1/2"

Also available with external press connections

BS+ traverse for water meter



BS+ traverse for water meter
item no. 215015



- 2 concealed single-pipe connectors for MTK / MTW-NG (2" EAS KOAX) incl. dummy cover and gasket set
- 2 concealed piston valves, free of dead space and low pressure loss (DIN DVGW tested with sound insulation to DIN 4109, valve group 1)
- 4 soundproofed brackets
- 2 zweiteilige Isolierungen aus Styropor - Baustoffklasse B1 (zul. Betriebsüberdruck PB: 10 bar, zul. Betriebstemperatur TB: 90°C, Durchflusstoff: Trinkwasser)
- Made of galvanised sheet metal construction
- With lateral fastening option on CW profiles of a stud wall
- With all mounting accessories

BS+ washstand-traverse for floor-standing fitting



Version A

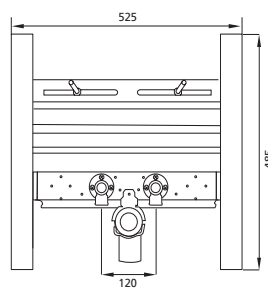
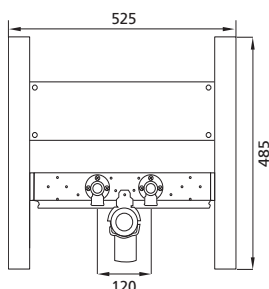


Version B

- Galvanised steel construction
- Mounting plate for variable washstand installation
- Swivelling siphon elbow DN 50
- Rubber nipple 32 mm
- All fastening and mounting accessories
- Fitting plate for holding the wall discs
- 2 sound-decoupled connection mountings
- Wall discs 1/2"

Version A Dimensions: W / H / D 525 / 485 / 70 mm
Version B Dimensions: W / H / D 525 / 485 / 50 mm

Note:
Replace end number .xx with .00 for standard connection 1/2" x 1/2"
.99 without connection



Version A item no. 230300.xx
with mounting plate made of plywood

Version B item no. 230301.xx
with fastening via threaded rods

BS+ Element for surface-mounted/concealed fittings



for concealed fittings
item no. 218008



for surface-mounted fittings
item no. 230108.00
on request also with
external press connections



Wall-mounted fittings
for showers and bathtubs
item no. 230109
on request also with
external press connections

Optional
Sound-decoupled
Premium wall bracket
for pre-wall mounting



item no. 240012

BS+ Shower element with pre-assembled Geberit drain



for surface-mounted fittings
Installation height 1460 mm
item no. 230120.00
on request also with
external press connections



for concealed fittings
Installation height 1460 mm
item no. 218010



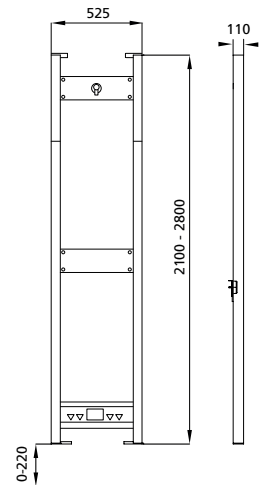
Installation height 500 mm
item no. 230125

Bathtub element



Taverse is height and depth
adjustable 40-110mm
item no. 235400

BS+ Shower element for shower head



for concealed fittings
and Geberit wall drain
item no. 235300

on request also with
external press connections

for concealed fittings
item no. 235200

on request also with
external press connections

surface-mounted fittings
and Geberit wall drain
item no. 235350.00

on request also with
external press connections

surface-mounted fittings
item no. 235250.00

on request also with
external press connections

Taversen are height
and depth adjustable
40-110 mm

suitable for: Drywall and pre-wall

- Self-supporting sendzimir galvanised and sound-decoupled steel frame 48 mm
- Traverse fitting, height-adjustable
- Traverse for shower head
- Pre-assembled Geberit shower drain for draining floor-level showers, Cover plastic chrome



Optional
Wall bracket for rear mounting
front wall mounting
item no. 240020

Santro

for prefabricated and finished pre-wall installation

for the basic fit-out of small and large bathrooms for renovations or new builds



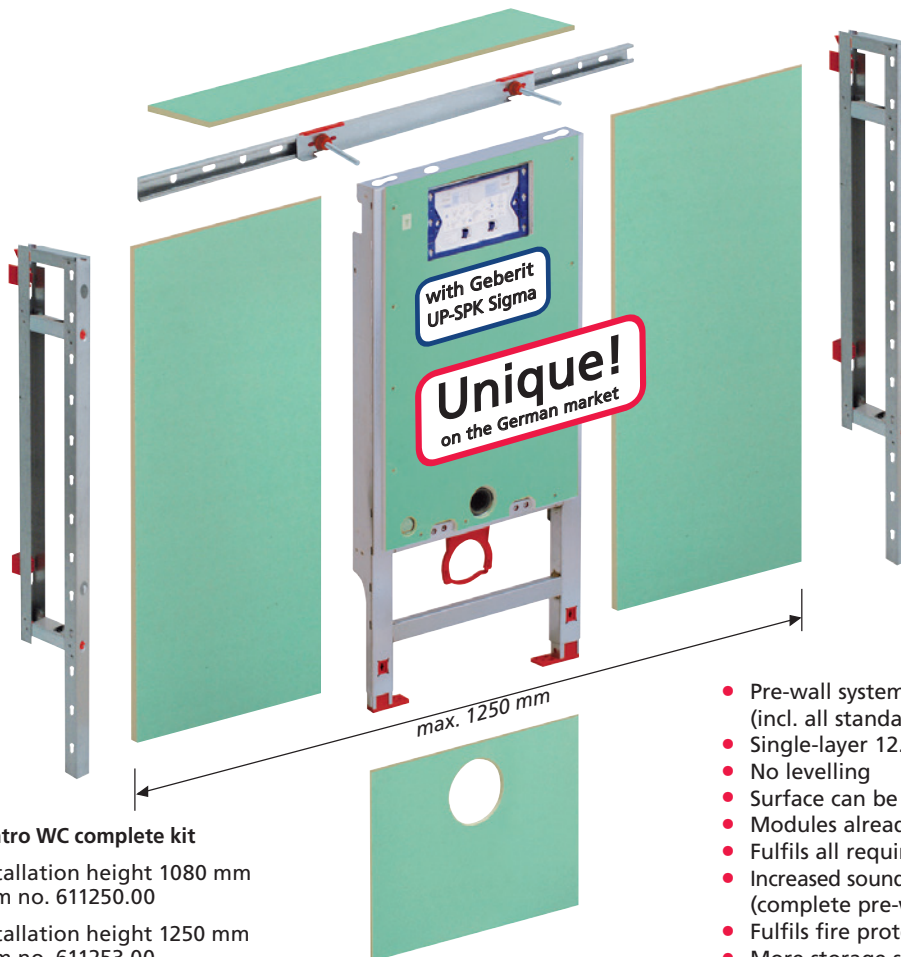
Installation in one day



Why Santro pre-wall system?

- Quick and easy installation
- Simple planning (only one article)
- Clean (no dirt/debris/walls)

Completely soundproofed ex works



all WCs compatible with Duravit Sensowash®

Geberit UP cisterns compatible with Geberit AquaClean and chute for cleaning cubes

Santro WC complete kit
 Installation height 1080 mm
 item no. 611250.00
 Installation height 1250 mm
 item no. 611253.00

- Pre-wall system with panelling up to 125 cm wide (incl. all standard openings)
- Single-layer 12.5 mm GKF1 panels
- No levelling
- Surface can be tiled immediately
- Modules already pre-planked
- Fulfils all requirements for VDI 4100
- Increased sound insulation in accordance with DIN 4109 (complete pre-wall soundproofed)
- Fulfils fire protection standard DIN 4102
- More storage space possible with built-in furniture

Combination examples:



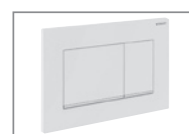
Geberit Sigma01
item no. 551 030.xx



Geberit Sigma10
item no. 550 037.xx



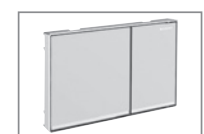
Geberit Sigma20
item no. 550 028.xx



Geberit Sigma30
item no. 550 065.xx



Geberit Sigma50
item no. 550 027.xx



Geberit Sigma60
item no. 550 067.xx

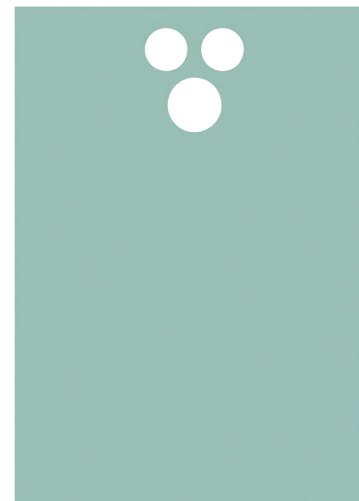
Santro

for prefabricated and finished
pre-wall installation

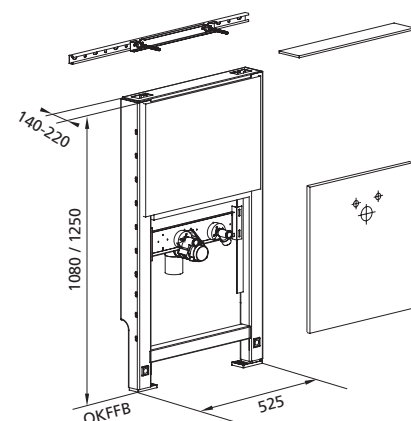
Washstand module for free-standing tap



Santro Washstand module
for free-standing tap,
Installation height 1080 mm
item no. 621258.00



- Made of galvanised, self-supporting and sound-insulated steel construction
- With single-layer (12.5 mm) GKFI construction panel, incl. all standard openings
- With sound-decoupled mounting rail
- With mounting plate for variable washstand mounting
- With swivelling, depth-adjustable siphon elbow DN 50
- With rubber nipple 32 mm
- With all mounting accessories
- With adjustable foot supports, 0-220 mm
- With 2 sound-decoupled, width-adjustable wall discs 1/2"



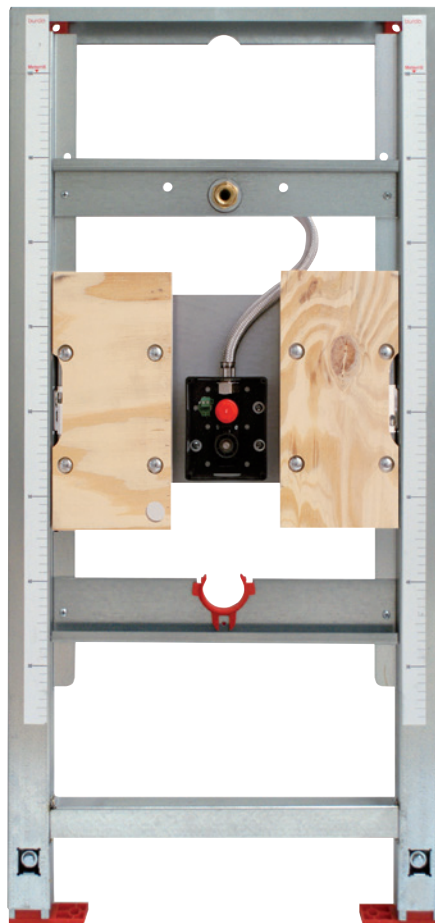
Santro

for prefabricated and finished
pre-wall installation

Urinal module with shell set for Flowtronik

Santro urinal module
with shell set for Flowtronik,
Installation height 1080 mm
item no. 646000

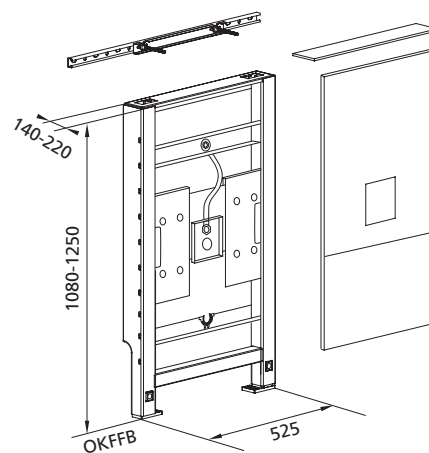
Installation height 1250 mm
item no. 646001



- Made of galvanised, self-supporting and sound-insulated steel construction
- With pre-assembled shell set
- With single-layer (12.5 mm) GKF construction panel, incl. all control openings
- With sound-insulated mounting rail
- With adjustable traverses
- With all mounting accessories
- With adjustable foot supports, 0-220 mm

Note:

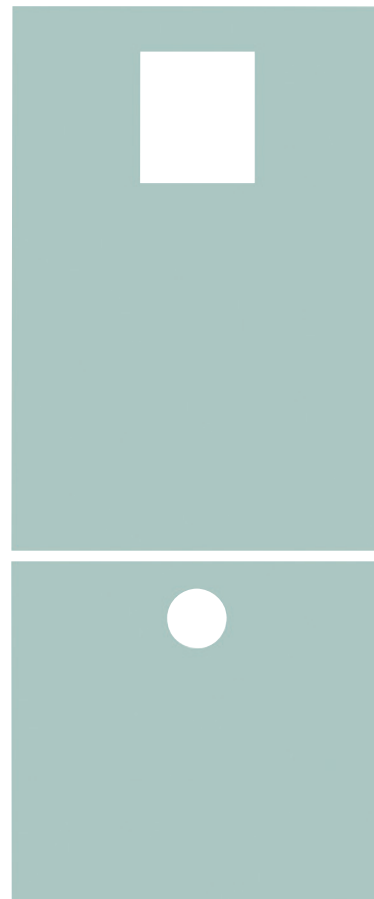
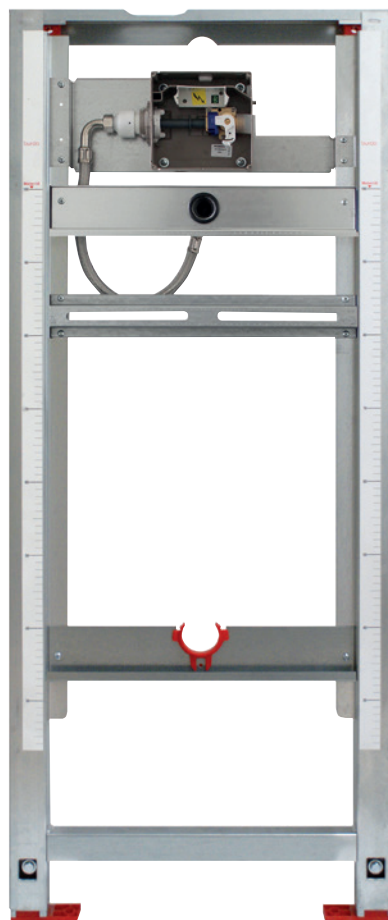
Not suitable for urinals with moulded-in suction siphon, e.g. V&B Omnia Pro #7502 00, #7503 00, #7504 00 etc.



Santro

for prefabricated and finished
pre-wall installation

Urinal module with shell set Geberit universal



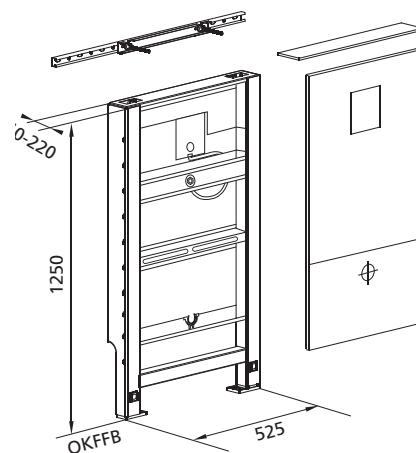
Santro urinal module
with shell set Geberit universal,
for Hy-Tronic and Hy-Touch

Installation height 1250 mm
item no. 647572

- Made of galvanised, self-supporting and sound-insulated steel construction
- With pre-assembled shell set
- With single-layer (12.5 mm) GKFI construction panel, incl. all control openings
- With sound-insulated mounting rail
- With adjustable traverses
- With all mounting accessories
- With adjustable foot supports, 0-220 mm

Note:

Not suitable for urinals with moulded-in suction siphon, e.g. V&B Omnia Pro #7502 00, #7503 00, #7504 00 etc.



Santro

Instantaneous water heater Cabinet element
for cabinet, 30 cm wide with one door for instantaneous water heater



Element for cabinet
for instantaneous water heater
item no. 215010.00

Built-in wardrobe 30 cm
item no. 403160



for installation in
a stud wall according
to DIN 18183 or in
conjunction with the
accessory set
item no. 240 008 as a
single element in a
pre-wall installation

Mounting material
and mounting frame
made of galvanised
steel construction

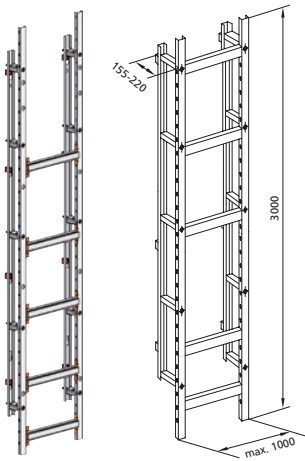
W/H 400/1120

Installation examples:



Santro Accessories

Santro shaft element



suitable for: pre-wall

For cladding shafts and pipe runs, as well as for mounting fitting plates (using spacer rails)
For bath and shower mixers or mirror cabinets etc.

Made of galvanised, sound-insulated steel construction consisting of 2 side panels, with 2 spacer rails of 3 metres each for fanning out

type 190
1000 / 3000 / 155-220 mm
item no. 677057

type 135
for reduced installation depth
1000 / 3000 / 135-160 mm
item no. 677040

Santro GKFI building board

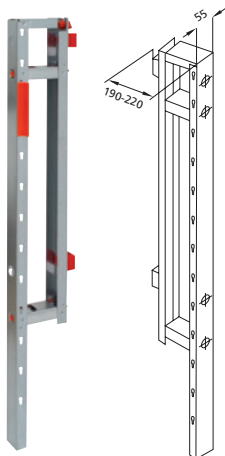


Core impregnated,
fibre-reinforced
plasterboard

W/H/D
624 x 1075 x 12,5 mm
item no. 697024

598 x 1300 x 12,5 mm
item no. 697000

Santro intermediate support for shelf depth 190-220 mm



For extending an extension section and for bridging distances over 625 mm wide between 2 sanitary modules etc.

Also suitable for holding tap plates, frame for installation rail (using spacer rails), adjustable in depth,
Can be used both left and right

Made of galvanised, sound-insulated steel construction

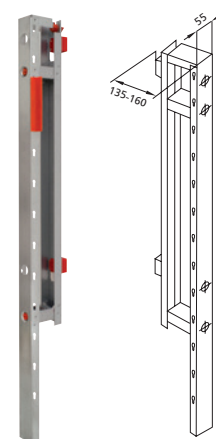
type 108
Installation height 1080 mm
Installation depth 190-220 mm
item no. 667409

type 85
Installation height 850 mm
Installation depth 190-220 mm
item no. 667416

type 125
Installation height 1250 mm
Installation depth 190-220 mm
item no. 667423

type 60
Installation height 600 mm
Installation depth 190-220 mm
item no. 667520

Santro intermediate support for shelf depth 135-160 mm



type 108 S
Installation height 1080 mm
item no. 667430

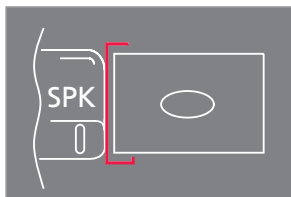
type 85 S
Installation height 850 mm
item no. 667447

type 125 S
Installation height 1250 mm
item no. 667454

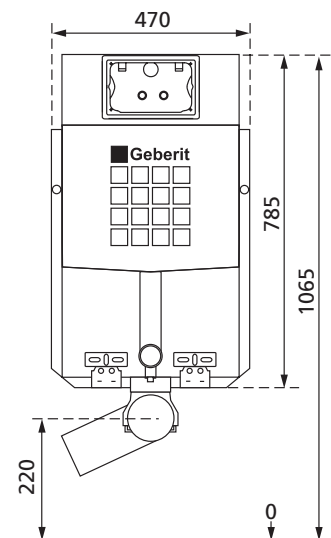
Kombiset Mounting element for brickwork

Kombiset WC element with Sigma concealed cistern

View from above



- Mounting unit, galvanised with four fixing points
- Built-in, condensation-insulated concealed cistern Geberit Sigma
- Ceramic fixing M12, Spacing 18 or 23 cm
- Drain fastening
- Connection bend made of PE-HD, DN 90 mm incl. transition sleeve made of PE-HD, DN 90/110 mm
- Wall-mounted WC connection set
- Building protection for the inspection opening
- Water connection 1/2" AG with integrated angle valve



Kombiset WC element with concealed cistern Geberit Sigma for wet construction **item. no. 511109.00**

all WCs compatible with Duravit Sensowash®

Geberit UP cisterns compatible with Geberit AquaClean and chute for cleaning cubes

Combination examples:



Geberit Sigma01



Geberit Sigma10



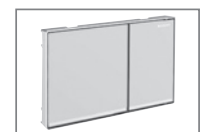
Geberit Sigma20



Geberit Sigma30



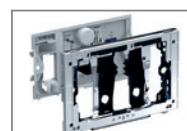
Geberit Sigma50



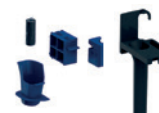
Geberit Sigma60



Geberit Sigma70



Insert for Geberit Duo-Fresh Stick

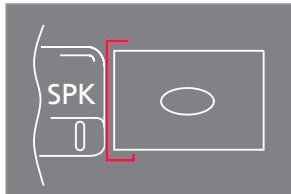


Kombiset

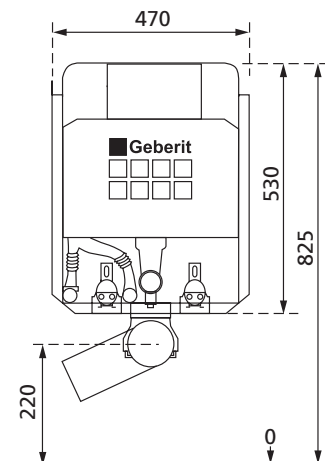
Mounting element for brickwork, 82,5 cm

Kombiset WC element with Omega concealed cistern

View from above



- Mounting unit, galvanised with four fixing points
- Built-in, condensation-insulated concealed cistern Geberit Omega
- Ceramic fixing M12, Spacing 18 or 23 cm
- Drain fastening
- Connection bend made of PE-HD, DN 90 mm incl. transition sleeve made of PE-HD, DN 90/110 mm
- Wall-mounted WC connection set
- Building protection for the inspection opening
- Water connection 1/2" AG with integrated angle valve



Kombiset WC element with concealed
item. no. 511890.00

all WCs
compatible with Duravit Sensowash®

Geberit UP cisterns compatible
with Geberit AquaClean and chute
for cleaning cubes

Combination examples:



Geberit Omega20



Geberit Omega30

burda
Sanitärtechnik

Herbert Burda GmbH
Krefelder Straße 87
40549 Düsseldorf

Tel. +49 211 95001-0
Fax. +49 211 500575

www.burda-online.com