

03 – 15 **Santro** Pre-planked prewall system



17 – 47 **BS+** Dry construction system



49 – 52 **my move elements** my move WC page 50-51
my move WT page 52



53 – 57 **Kombiset** Wet construction system



59 – 70 **Flush buttons**



71 – 86 **Flushing systems**



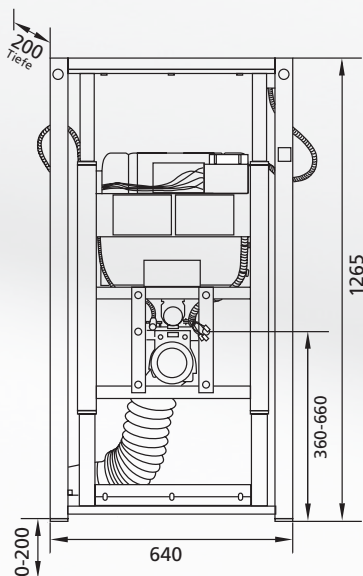
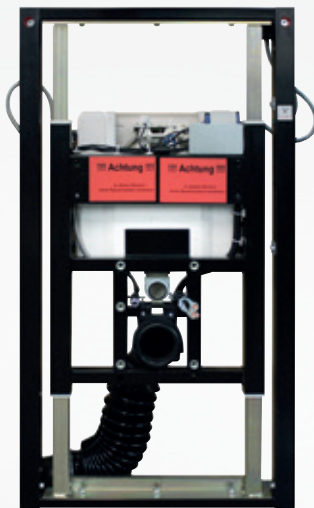
88 – 89 **Pondus XL** Floor-standing WC incl. seat for obese people



my move WC comfort for barrier-free WC facilities with electric height adjustment



suitable for: pre-wall



scope of delivery

Self-supporting drywall element made of powder-coated, self-supporting steel construction for wall and floor mounting incl. fixing material.
(Sound-decoupled with premium wall bracket) for floor structures 0-20 cm with prefabricated internal drinking water and waste water pipework, as well as internal electrical wiring

without support handles

- With concealed cistern K840
- With electric lifting device for WC
- With glass top RAL 9003, signal white, W/H: 500 x 1045 mm
- With radio remote control
- With fibre-reinforced, core-impregnated plasterboard front (2-ply) with all control openings
- Stainless steel protection plate for inspection work

technical data

- WC attachment 180 mm
- WC 30 cm height-adjustable
- Load capacity up to 350 kg

connections:

Electrical connection: via Schuko plug (230 V AC, 50-60 Hz)
Waste water connection: DN 90, Drinking water connection: R1/2"

optional

- Individual glass panel colour according to RAL
- Panelling for individual installation RAL Classic colours
- Panelling for individual installation RAL Design colours
- Preparation for inclusion of shower toilet
- External button „up/down“
- External button „flush“

Dimensions: W / H / D 640 / 1265 / 200 mm

compatible with Duravit Sensowash®

compatible with Geberit AquaClean

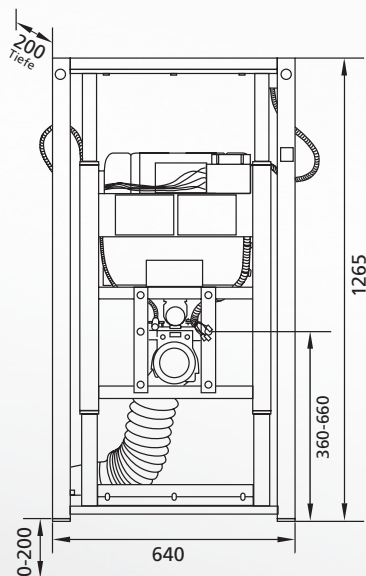
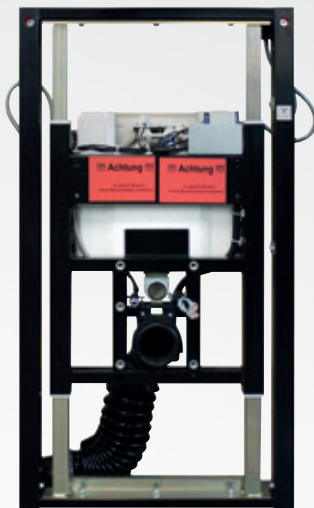
Design	Ref. no.	Design	Ref. no.
my move WC comfort	270001		
Individual glass panel colour according to RAL	270003	Preparation for inclusion of shower toilet	270010
Panelling for individual installation RAL Classic colours	270005	External button „up/down“	270008
Panelling for individual installation RAL Design colours	270007	External button „flush“	270009



my move WC care for barrier-free WC facilities
with electric height adjustment **with folding support handles**



suitable for: pre-wall



scope of delivery

Self-supporting drywall element made of powder-coated, self-supporting steel construction (see my move comfort)

with folding support handles type 700

- With concealed cistern K840
- With electric lifting device for WC
- With glass top RAL 9003, signal white, W/H: 500 x 1045 mm
- With radio remote control
- With fibre-reinforced, core-impregnated plasterboard front (2-ply) with all standard openings
- WC attachment 180 mm
- Stainless steel protection plate for inspection work
- 2 x Normbau folding support handles, cavere type, Colour silver-metalllic (similar to RAL 9006) 1 x paper roll holder, 1 x WC release included (side according to customer specification)

technical data and connections: (see my move comfort)

optionally available at no extra charge

- Folding support rails type 600 or type 800

optionally available at an extra charge

- Individual glass panel colour according to RAL
- Panelling for individual installation RAL Classic colours
- Panelling for individual installation RAL Design colours
- Preparation for inclusion of shower toilet
- External button „up/down“
- External button „flush“
- Back support
- Second paper roll holder
- Second control on the folding support handle (up / down / rinse)

Dimensions: W / H / D 640 / 1265 / 200 mm

compatible with Duravit Sensowash®

compatible with Geberit AquaClean

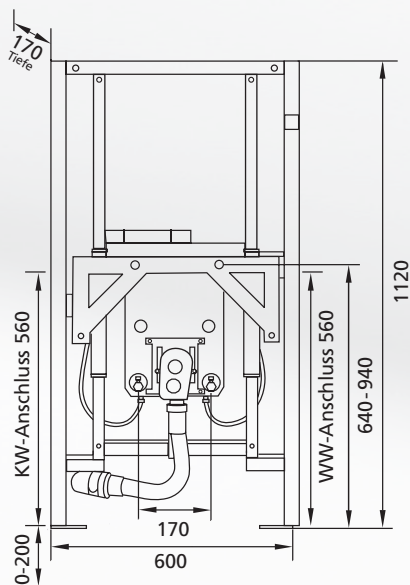
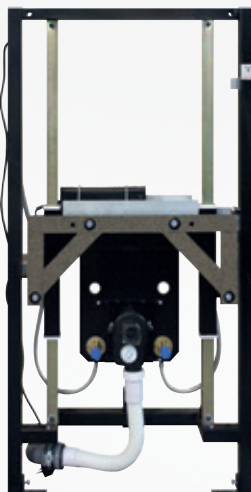
Design	Ref. no.	Design	Ref. no.
my move WC care	270002		
individual glass panel colour according to RAL	270003	External button „up/down“	270008
Panelling for individual installation RAL Classic colours	270005	External button „flush“	270009
Panelling for individual installation RAL Design colours	270007	Back support	270012
Preparation for inclusion of shower toilet	270010	Second paper roll holder	270013
		Second control on the folding support handle (up / down / rinse)	270014



my move *WT comfort* for barrier-free washstand systems with electric height adjustment **for on-site washstand**



suitable for: pre-wall



scope of delivery

Self-supporting drywall element made of powder-coated, self-supporting steel construction for wall and floor fastening incl. fastening material.
(sound-decoupled with premium wall bracket) for floor structures 0-20 cm with prefabricated internal drinking water and waste water pipework, as well as internal electrical wiring

- Concealed washstand trap
- Two wall discs
- Glass panel RAL 9003, signal white, W/H: 700 x 1000 mm
- Radio remote control for automatic height adjustment
- Fibre-reinforced, core-impregnated plasterboard front (2-ply) with all standard openings for on-site tiling

Technical data

- Washstand attachment 280 mm
- Washstand 30 cm height-adjustable

Connections:

Electrical connection: via Schuko plug (230 V AC, 50-60 Hz)
Waste water connection: DN 50, DHW and DHW connection: R1/2"

optional

- Individual glass panel colour according to RAL
- Glass panel with mirror, Total W/H 700 x 1450 mm, mirror W/H 700 x 690 mm
- Glass panel with mirror, Total W/H 700 x 1630 mm, mirror W/H 700 x 870 mm
- Panelling for individual installation RAL Classic colours
- Panelling for individual installation RAL Design colours
- External button „up/down“

Dimensions: W / H / D 640 / 1120 / 170 mm



View without integrated mirror

Design	Ref. no.	Design	Ref. no.
my move WT comfort for on-site washbasin Installation height 1120 mm	270501		
Individual glass panel according to RAL	270505	Panelling for individual installation RAL Classic colours	270508
Glass panel with mirror Total W/H 700 x 1450 mm mirror W/H 700 x 690 mm	270506	Panelling for individual installation RAL Design colours	270515
Glass panel with mirror Total W/H 700 x 1630 mm mirror W/H 700 x 870 mm	270513	External button „up/down“	270516

