

03 – 15 **Santro** Pre-planked prewall system



17 – 47 **BS+** Dry construction system



49 – 52 **my move elements** Electrically height-adjustable



53 – 57 **Kombiset** Wet construction system



59 – 70 **Flush buttons**



71 – 86 **Flushing systems**



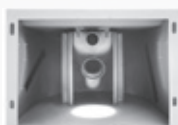
88 – 89 **Pondus XL** Floor-standing WC incl. seat for obese people



Pondus XL

Floor-standing WC incl. seat for obese people

Floor-standing WC type „Pondus XL“ incl. seat for obese people



view from behind



view from above

Design

Ref. no.

840400

- Special size designed for obese people
- For wall and floor mounting
- Side inspection openings for concealed installation
- Extra large seat made of white plastic
- Flush volume 6 litres, according to EN 997
- Horizontal outlet
- Washdown WC
- Robust stainless steel Thickness: 2.0 mm
- Epoxy-coated surface, white

Dimensions:

W 610 x D 736 x H 483 mm (height incl. seat)

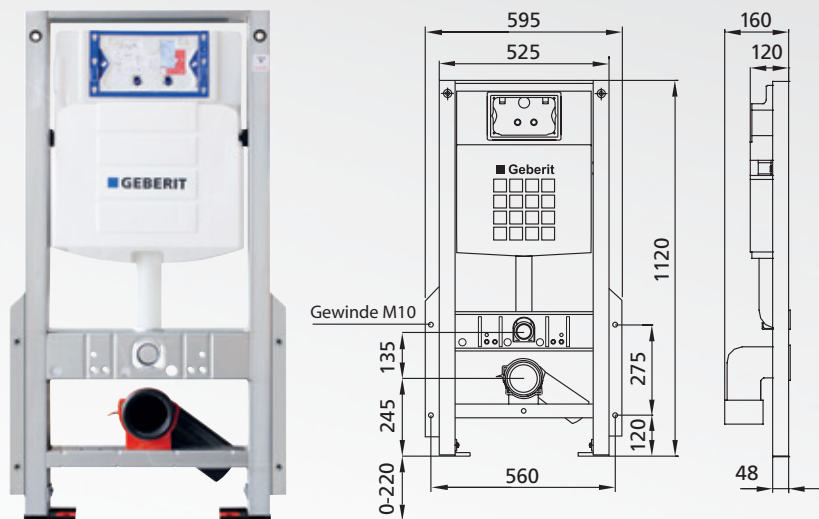
Technical data:

WC tested up to 907 kg

WC seat tested up to 544 kg



BS+ WC element Pondus XL with Geberit concealed cistern Sigma



Design	Ref. no.
	211490.00

- Galvanised, self-supporting and sound-insulated steel construction
- WC ceramic fixings 180 and 230 mm
- Connection bend made of PE-HD, DN 90 mm incl. transition sleeve made of PE-HD, DN 90/110 mm
- Wall-mounted WC connection set
- Built-in, condensation-insulated concealed cistern
- Building protection for inspection opening
- Building plug for inlet and outlet pipe
- All fixing and installation accessories
- Adjustable foot supports up to max. 0-220 mm
- Cistern connection bracket (exception 211 009.99) and integrated or separate angle valve
- Operation from the front

Dimensions: W / H / D 525 / 1120 / 160 mm (with drain)
Suitable for standard wall-hung WCs.

incl. premium wall bracket

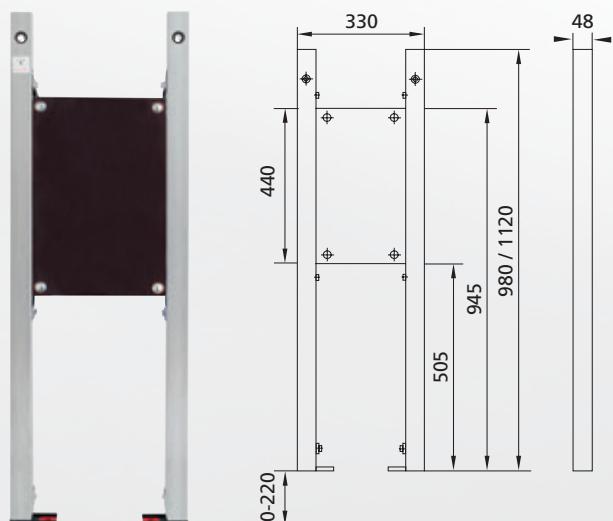


New version

- 2 sound-decoupled wall supports M10
- All mounting and assembly accessories
- 2 Support brackets



BS+ element for support and grab rails, barrier-free



Design	Ref. no.
	240025

For holding, supporting and folding handles etc.
For installation in a stud wall in accordance with DIN 18183 or in conjunction with accessory set art. no. 240 008 as an individual element in a pre-wall installation.

- Galvanised, self-supporting and sound-insulated steel construction
- Built-in mounting plate made of laminated wood (250 mm high, 30 mm thick) for individual fastening of heavy loads
- All fixing and installation accessories
- Adjustable foot supports up to max. 0-220 mm

Dimensions: W / H / D 330 / 980 or 1120 / 50 mm

incl. premium wall bracket



New version

- 2 sound-decoupled wall supports M10
- All mounting and assembly accessories
- 2 Support brackets

