

03 – 15 **Santro** Pre-planked prewall system



17 – 47 **BS+** Dry construction system



49 – 52 **my move elements** Electrically height-adjustable



53 – 57 **Kombiset** WC Carrying supports page 54-55 page 55 urinal page 56-57



59 – 70 **Flush buttons**



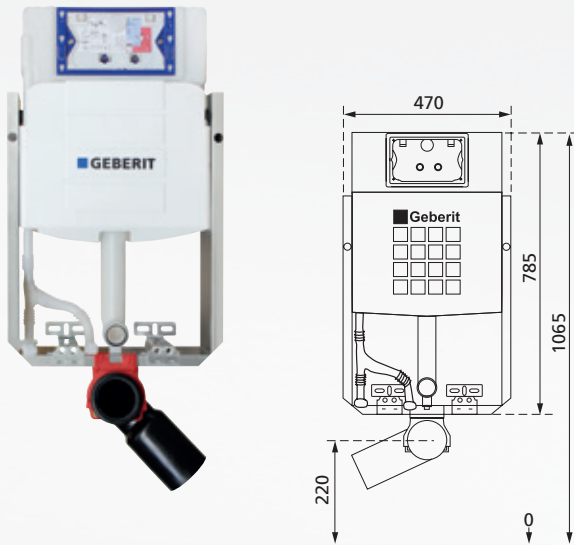
71 – 86 **Flushing systems**



88 – 89 **Pondus XL** Floor-standing WC incl. seat for obese people



Kombiset WC-element with concealed cistern



- Mounting unit, galvanised with four fixing points
- Built-in, condensation-insulated concealed cistern
- Ceramic fixing M12, distance 18 or 23 cm
- Drain fastening
- Connection bend made of PE-HD, DN 90 mm
Incl. transition sleeve made of PE-HD, DN 90/110 mm
- Wall-mounted WC connection set
- Building protection for the inspection opening
- Water connection 1/2" sink with integrated angle valve

Dimensions: W / H / D 470 / 1065 / 120 mm

Accessories:

Flush plates and flushing systems from page 59
Support brackets: Page 55

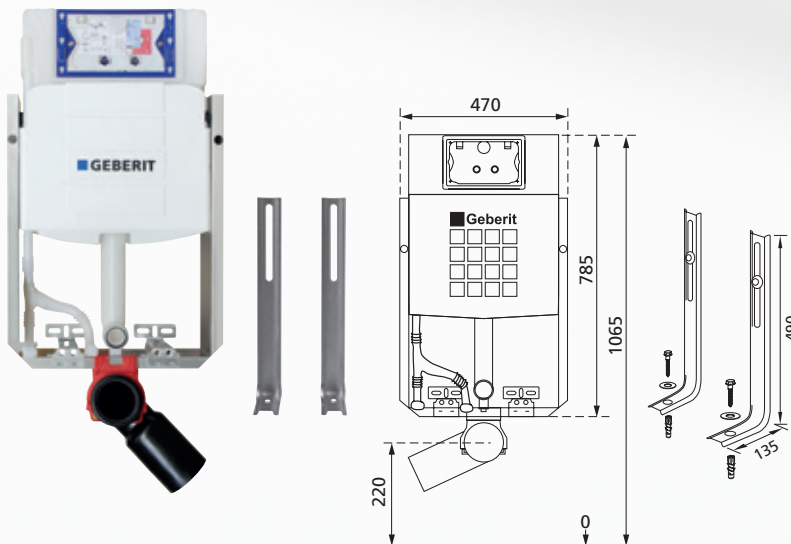
Design	Ref. no.	Design	Ref. no.
with Geberit cistern Sigma with 2-quantity flush	511109.00	Kombiset eco as above, but without individual packaging	
Burda cistern K770 with 2-quantity flush	511114.00	with Geberit cistern Sigma with 2-quantity flush	511117.00

all WC frames with Geberit cistern:
compatible with Duravit Sensowash®
and Geberit AquaClean WCs

WC-racks with Geberit cistern Sigma:
additionally compatible with Geberit
Duo-Fresh inserts (cleaning cubes)



Kombiset WC TS with carrying supports



- Mounting unit, galvanised with four fixing points
- Built-in, condensation-insulated concealed cistern
- Ceramic fixing M12, distance 18 or 23 cm
- Drain fastening
- Connection bend made of PE-HD, DN 90 mm
Incl. transition sleeve made of PE-HD, DN 90/110 mm
- Wall-mounted WC connection set
- Building protection for the inspection opening
- Water connection 1/2" AG with integrated angle valve
- incl. support brackets

Dimensions: W / H / D 470 / 1065 / 120 mm

Accessories:

Flush plates and flushing systems from page 59
Support brackets: Page 55

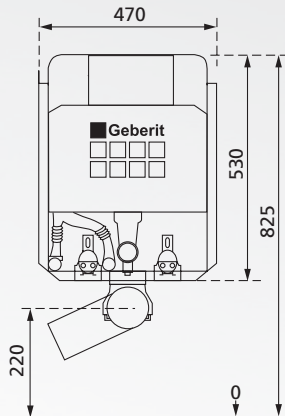
Design	Ref. no.
with Geberit cistern Sigma with 2-quantity flush	511118.00

all WC frames with Geberit cistern:
compatible with Duravit Sensowash®
and Geberit AquaClean WCs

WC-racks with Geberit cistern Sigma:
additionally compatible with Geberit
Duo-Fresh inserts (cleaning cubes)



Kombiset WC Geberit 82,5 cm with concealed cistern



- Mounting unit, galvanised with four fixing points
- Built-in, condensation-insulated concealed cistern Geberit Omega
- Ceramic fixing M12, distance 18 or 23 cm
- Drain fastening
- Connection bend made of PE-HD, DN 90 mm
Incl. transition sleeve made of PE-HD, DN 90/110 mm
- Wall-mounted WC connection set
- Building protection for the inspection opening
- Water connection 1/2" sink with integrated angle valve

Dimensions: W / H / D 470 / 825 / 140 mm

Accessories:

Flush plates and flushing systems from page 59
Support brackets: Page 55

Note:

The toilet lid only remains in the open position if the distance between the wall and the toilet lid is > 25 mm.
When using WC ceramics such as those from Keramag: Renova No. 1, Comprimo 204550, Joly 203060, V&B: Viala 765310, Viala 765210, the flush plate must be installed from above.

Design _____ Ref. no. _____

Installation height 825 mm

with Geberit cistern Omega 511890.00
Actuation from the front/top

all WC frames with Geberit cistern:
compatible with Duravit Sensowash®
and Geberit AquaClean WCs

WC-racks with Geberit cistern Sigma:
additionally compatible with Geberit
Duo-Fresh inserts (cleaning cubes)



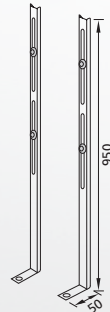
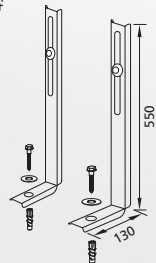
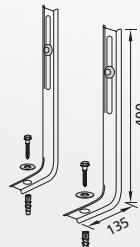
carrying supports TS



carrying supports TSV



carrying supports TSU



carrying supports TS

Installation aid for free-standing installation of the Kombiset WC elements or to support the load of the WC ceramic appliance.

carrying supports TSV

Installation aid for free-standing installation of the Kombiset WC elements or to support the load of the WC ceramic appliance. However, extended by 100 mm for barrier-free WCs or for raised screed.

carrying supports TSU

Installation aid for free-standing installation of the kombiset urinal elements or to support the load of the urinal ceramic.

Design _____ Ref. no. _____

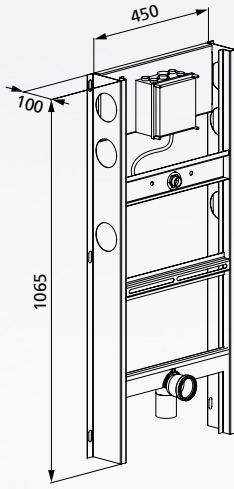
carrying supports TS, 1 pair 550039

carrying supports TSV, 1 pair 550022

carrying supports TSU, 1 pair 550046



Kombiset urinal with flush-mounted flush valve or shell set



Design	Ref. no.
Burda flush valve U-05/06	542054
Burda flush valve U-05/06 for spray head	542055

Complete pre-assembled installation unit for brickwork made of galvanised steel frame, with fixing material, DN 50 drainage elbow and urinal attachment

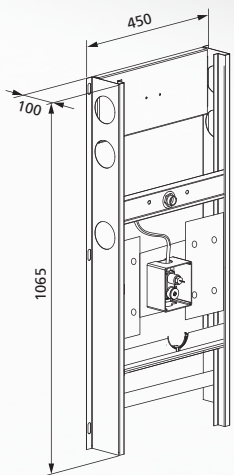
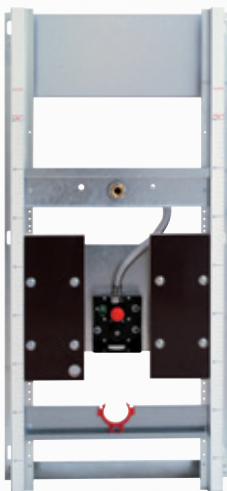
- All urinal fastening material
- Drain elbow DN 50
- Suction trap
- Flexible hose
- Urinal connection set
- Connection 1/2"

Dimensions: W / H / D 450 / 1065 / 100 mm

Accessories:
Flushing systems for urinals from page 78



Kombiset urinal with concealed shell set for Flowtronik



Design	Ref. no.
	540000
for spray head	540001

Attention!
When using a stainless steel urinal please contact our hotline in advance 0211/95001-0 beforehand!

Complete pre-assembled installation unit for brickwork made of galvanised steel frame.

- All urinal fastening material
- Drain elbow DN 50
- Flowtronik shell set with 230V connection
- Valve block and water shut-off
- Functions: Standard and stadium operation, forced flushing
- Suction trap
- Flexible hose
- Urinal connection set
- Connection 1/2"

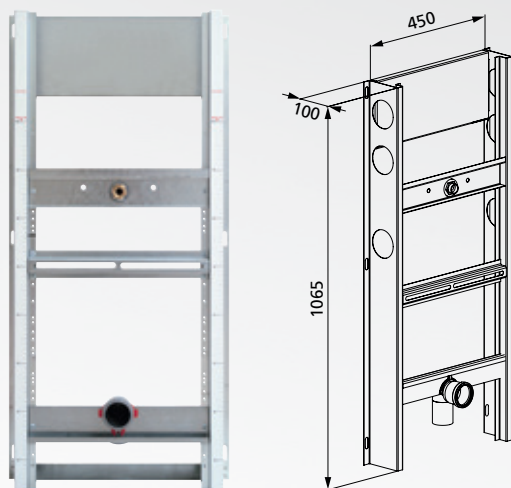
Dimensions: W / H / D 450 / 1065 / 100 mm

Accessories:
Flushing systems for urinals from page 78

Note:
Not suitable for urinals with moulded-in suction trap, e.g. V&B Omnia Pro #7502 00, #7503 00, #7504 00.



Kombiset urinal for Geberit Flushcontrol / Duravit Utronic



Complete pre-assembled installation unit for brickwork made of galvanised steel frame.

- All urinal fastening material
- Drain elbow DN 50
- Electronics or shell set
- Suction trap
- Flexible hose
- Urinal connection set
- Connection 1/2"

Dimensions: W / H / D 450 / 1065 / 100 mm

Note:

Not suitable for urinals with moulded-in suction trap, e.g. V&B Omnia Pro #7502 00, #7503 00, #7504 00.

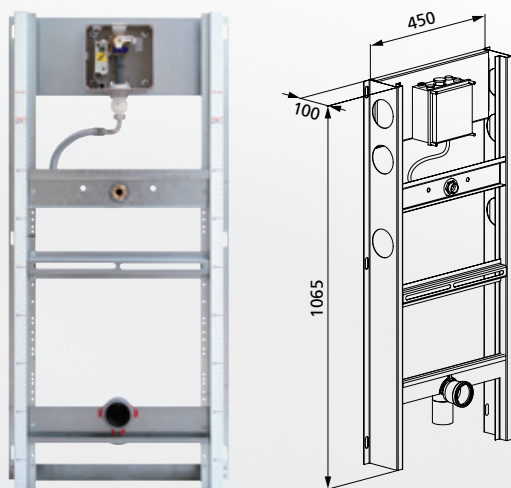
Design	Ref. no.	Design	Ref. no.
--------	----------	--------	----------

Installation height 1065 mm

Design	Ref. no.	Design	Ref. no.
<u>shell set</u>		<u>shell set</u>	
for Geberit Flushcontrol	543121	for Duravit Utronic	543141
for Geberit Flushcontrol for spray head	543122	for Duravit Utronic for spray head	543142



Kombiset urinal with concealed shell set



Complete pre-assembled installation unit for brickwork made of galvanised steel frame.

- All urinal fastening material
- Drain elbow DN 50
- Electronics or shell set
- Suction trap
- Flexible hose
- Urinal connection set
- Connection 1/2"

Dimensions: W / H / D 450 / 1065 / 100 mm

Accessories:

Flushing systems for urinals from page 78

Note:

Not suitable for urinals with moulded-in suction trap, e.g. V&B Omnia Pro #7502 00, #7503 00, #7504 00.

Design	Ref. no.	Design	Ref. no.
--------	----------	--------	----------

Installation height 1065 mm

Design	Ref. no.	Design	Ref. no.
<u>shell set</u>		<u>version with integrated control unit</u>	
Geberit shell set universal for HyTronic and HyTouch	523623	Burda shell set <u>with</u> infrared electronic BurdaTronic U-09	543112.60
Geberit shell set universal for HyTronic and HyTouch for spray head	523624	Burda shell set <u>with</u> infrared electronic BurdaTronic U-09 for spray head	543114.60

