

Kombiset - Installation elements for brick lining

burda
Sanitärtechnik



Kombiset Installation element for brick lining

Formation of the element frame as frame (door)

- Masonry is thereby integrated in the frame.
- This results in a force-locking connection of the whole element.
- Double safety with 4-point mounting.

All toilets
compatible with Duravit Sensowash® C

Geberit flush-mounted cisterns
Compatible with Geberit AquaClean

KOMBISSET

Installation elements for brick lining

burda Kombiset

The **burda** Kombiset has been since decades the tried and tested standard element for quick installation and assembly of sanitary ceramics, such as wall-mounted toilet, urinal, wash-stand, and bidet.

The **burda** Kombiset installation elements are available with a large selection of flush-mounted cisterns. The scope of delivery of the Kombiset includes, in addition to the pre-assembled elements with justified connectors, the complete accessories required for the structural mounting such as water connection, waste pipe and mounting hardware.

Application area

Application area of **burda** Kombiset installation elements is the collaborative-construction site, where a bricklayer is also on site.

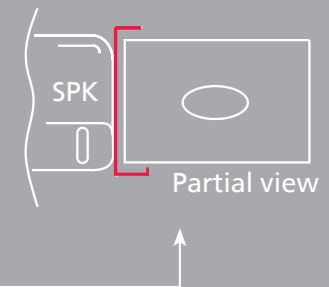
The installer does here merely the installation of the elements on a concrete or masonry wall. The brick laying or brick lining of the elements in a front wall is then for the bricklayer..

Advantages

This installation method, where the elements are subsequently bricked up, is as simple as it is reliable.

Furthermore, installing a **burda** Kombiset requires a minimum of measuring, planning and work preparation on the part of the installer. In this type of front wall installation, the amount of work for the installer remains low overall, also because a large share of the work performances to be rendered is accounted for by other trades.

- Kombiset mounting units suitable for standard ceramic body
- Elements for brick lining for toilet, bidet, wash-stand and urinal
- With toilet ceramic fastening optionally with 180 mm or 230 mm spacing
- Drain pipe can be mounted both vertically and laterally for installation with feet
- Complete assembly unit for wall installation/front wall installation, galvanised
- Pre-assembled with GEBERIT flush-mounted cistern, flush pipe and adjusted waste pipe
- Complete with mounting, screws, dowels and wall-mounted toilet connection fitting
- Guaranteed stability through supporting bars in the mounting zone of the WC-ceramic
- Additional stability and force-locking through frame formation





WT element



WT element
Barrier-free



WC-Element
(82,5)



WC element



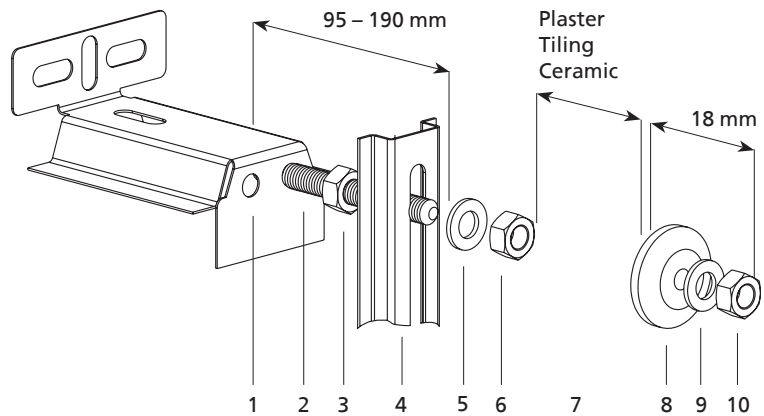
Urinal element

Installation of the mounting screws on the ceramic body

1. Note the screw spacing 180 or 230
2. Screw in threaded rods M12, adjust length 95–190 mm
3. Counter with nuts

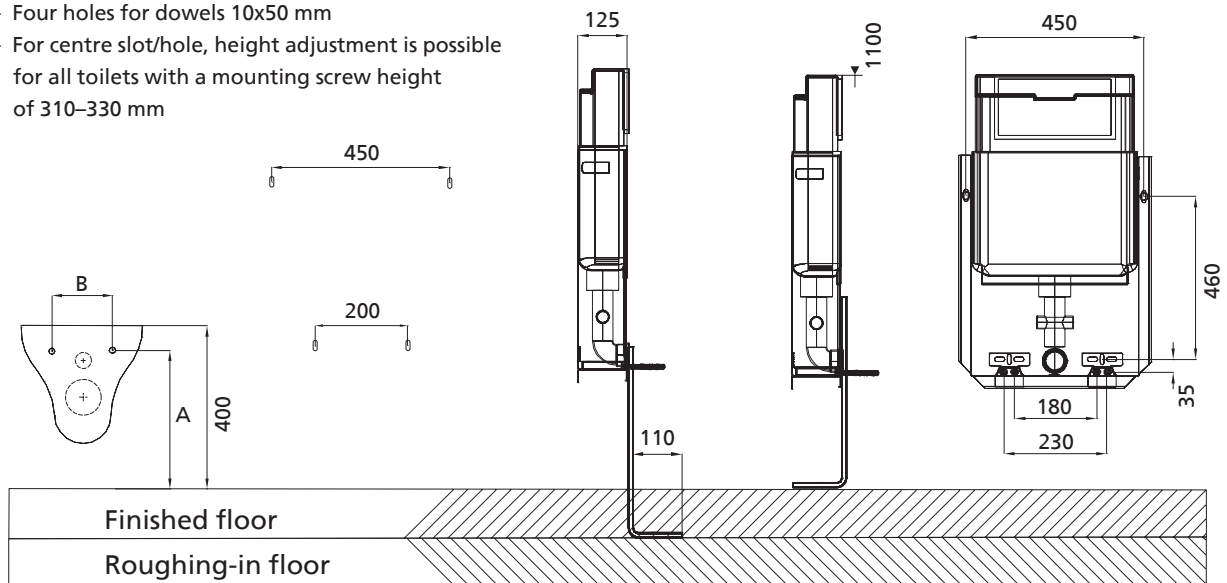
Mounting with support bars

4. Support bars
5. Washers
6. Nuts
7. Ceramic body
8. Nylon flanged sleeves
9. Washers
10. Nuts



Installation of the support bars on the Kombiset

- Four holes for dowels 10x50 mm
- For centre slot/hole, height adjustment is possible for all toilets with a mounting screw height of 310–330 mm





burda
Sanitärtechnik

Herbert Burda GmbH
Krefelder Straße 87
40549 Düsseldorf

Tel. +49 211 95001-0
Fax. +49 211 500575

www.burda-online.com